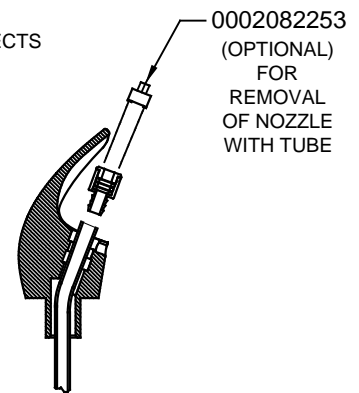
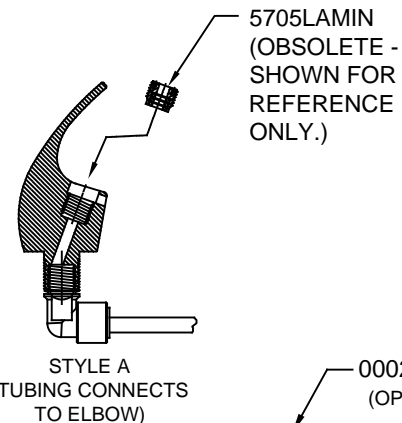
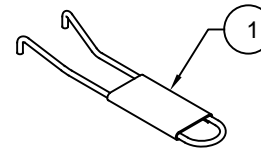
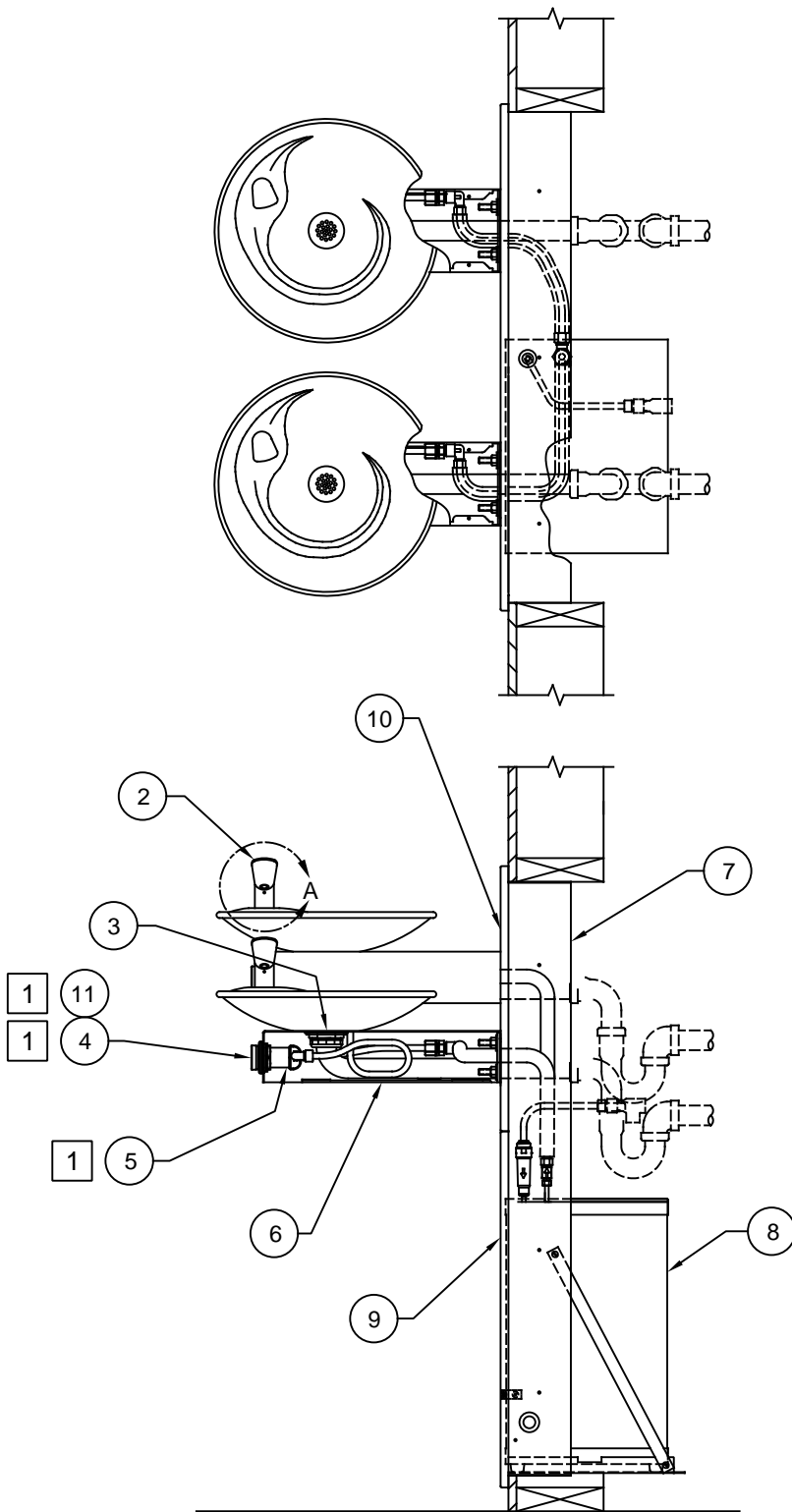


**NOTES:**

- 1 5874PBF (ITEM 5) INCLUDES VRK5874 CARTRIDGE ASSEMBLY (ITEM 11) AND PBA6 FLANGED PUSH BUTTON (ITEM 4).

MODEL		DESCRIPTION
ITEM	H1011.8	H1011.8HPS
1	0006983506	0006983506
2	5705	5705
3	6463	6463PCP
4	PBA6	PBA6
5	5874PBF	5874PBF
6	PBM1000	PBM1000
7	MTGFR.LG	MTGFR.LG
8	HCR8	HCR8
9	0002626651	0002626665
10	0004012000	0004012023
11	VRK5874	VRK5874
		SPANNER WRENCH
		BUBBLER HEAD W/INSERT (STYLE A OR STYLE B)
		STRAINER ASSY
		PUSH BUTTON, FLANGED
		PUSH BUTTON W/VALVE
		ACCESS PLATE
		MOUNTING FRAME
		CHILLER
		GRILLE
		BACK PANEL
		VALVE REPAIR KIT



**FOUNTAIN COULD HAVE EITHER STYLE**  
**DETAIL A**  
**ROTATED 90° INTO VIEW**

**PARTS BREAKDOWN**

WHEN ORDERING PARTS PLEASE SPECIFY MODEL NUMBER.

		1455 KLEPPE LANE SPARKS, NEVADA 89431 (775) 359-4712 FAX (775) 359-7424 E-MAIL: HAWS@HAWS.CO.COM WEBSITE: WWW.HAWS.CO.COM	
ECN NO.	REVISED PER	BY	MODEL(S)
	ECN: 5245	VWC	H1011/H1011.8HPS
DRAWN	DATE	CHKD	DRINKING FOUNTAIN
RTM	11/21/99	VWC	
APPROVED	DATE		PART NUMBER
FV	01/24/18		0002080249
		SCALE: 1:15	REVISION
		DRAWING TYPE: PARTS BREAKDOWN	21
		SIZE: A	SHEET 1 OF 1