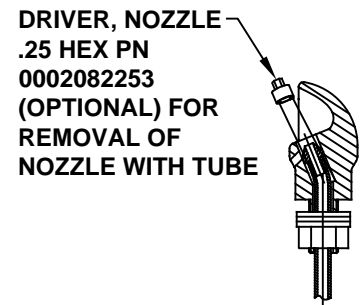
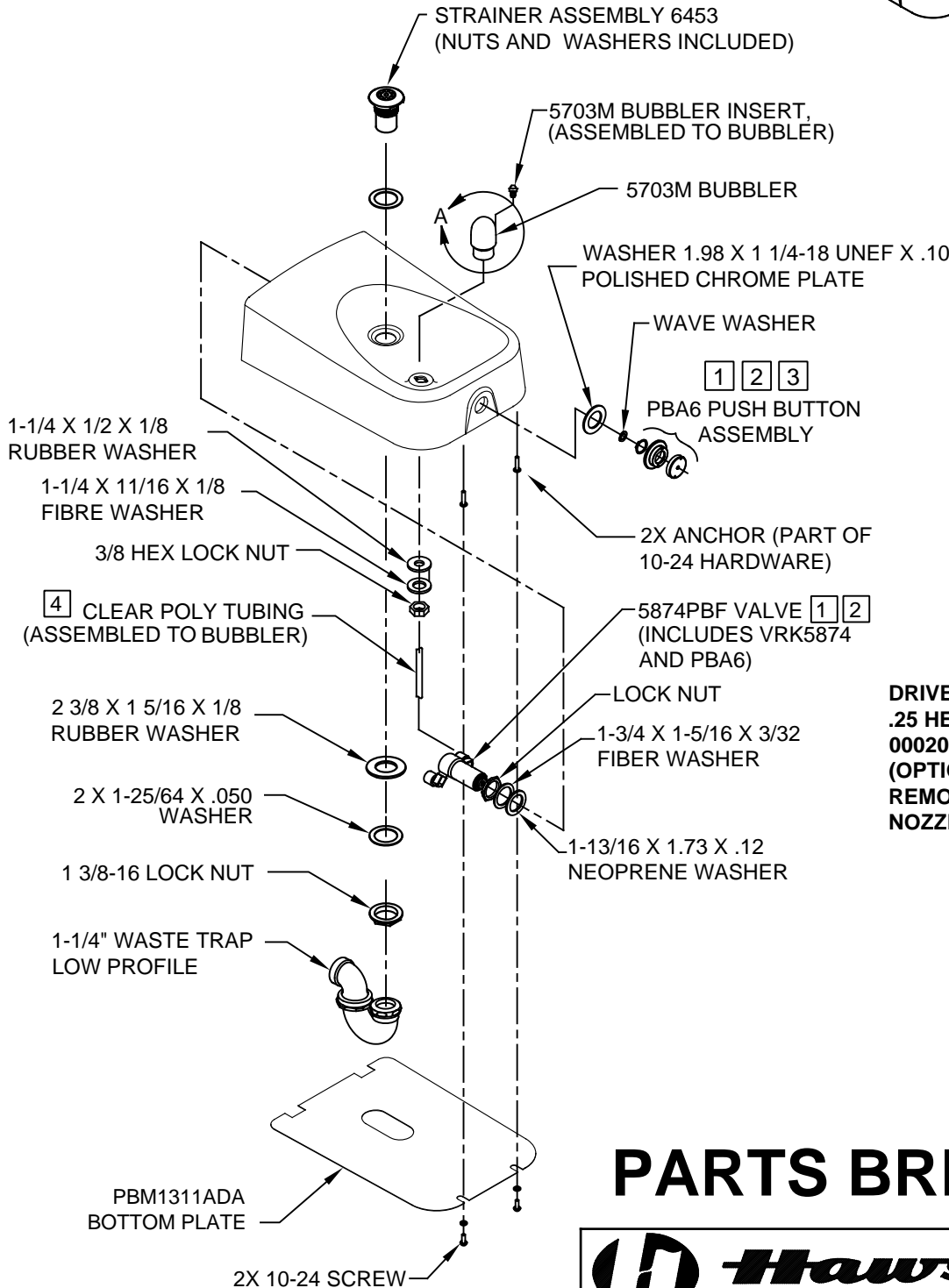
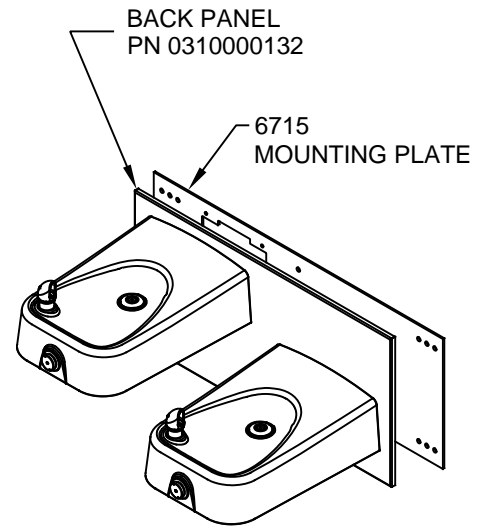


NOTES:

- 1 APPLY ONE DOT OF LOCTITE 222MS THREADLOCKER ON FEMALE THREADS OF PUSH BUTTON. SEE 5874 SERIES OPERATION AND MAINTENANCE MANUAL (PAGE 5 OF 5) FOR PROPER APPLICATION PROCEDURE.
- 2 5874PBF INCLUDES VRK5874 CARTRIDGE ASSEMBLY AND PBA6 FLANGED PUSHBUTTON.
- 3 REFER TO 5874 SERIES OPERATION AND MAINTENANCE MANUAL FOR INSTALLATION INSTRUCTIONS.
- 4 CONNECT CLEAR "POLYETHYLENE" TUBING ON FREE FLOW SIDE (VALVE TO BUBBLER HEAD) ONLY.



VIEW A  
ROTATED 90° CCW  
DETAIL OF 5703M

# PARTS BREAKDOWN

				1455 KLEPPE LANE SPARKS, NEVADA 89431 (775) 359-4712 FAX (775) 359-7424 E-MAIL: HAWS@HAWSCO.COM WEBSITE: WWW.HAWSCO.COM	
ECN NO. 5010	REVISED PER ECN: 5218	BY JP	MODEL(S)	1501	
DRAWN HM	DATE 08/25/15	CHKD GC			PART NUMBER 0510000047
APPROVED FV	DATE 11/23/17			SCALE: 1:1	REVISION 4
DRAWING TYPE: PARTS BREAKDOWN			SIZE: A	SHEET 1 OF 1	

WHEN ORDERING PARTS PLEASE SPECIFY MODEL NUMBER.