

# Product information

## REF 164

REF 164  

### TRACOE *comfort plus* Tracheostomy Tube

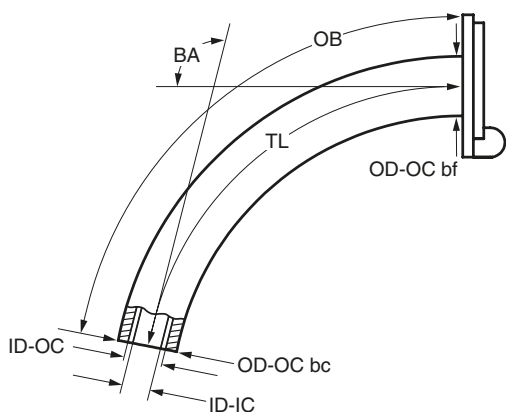
double fenestrated at inner and outer bend

- Including:
- ◆ inner cannula, double fenestrated, with swivel speaking valve type B
  - ◆ inner cannula with 15mm connector
  - ◆ neck strap

For tracheostomised patients with fully or partially intact larynx, for speaking.



### Technical Data



REF 157, REF 158, REF 164

Size	ID-OC mm	OD-OC bc mm	OD-OC bf mm	ID-IC mm	TL mm	OB mm	BA °
07	7.0	8.8	10.5	5.8	81	87	100°
08	8.0	10.2	11.3	6.8	84	91	100°
09	9.0	11.6	12.6	7.6	86	94	100°
10	10.0	12.0	13.7	8.7	88	97	100°
11	11.0	13.5	15.0	9.7	91	100	100°

**ID-OC:** inside diameter (clear width) at bottom of outer cannula; **OD-OC bc:** outside diameter at bottom of outer cannula; **OD-OC bf:** outside diameter of outer cannula behind the flange; **ID-IC:** inside diameter at bottom of inner cannula; **TL:** length along centre line from start of neck flange to bottom of tube; **OB:** length along outer bend (greatest length); **BA:** bending angle

To order, specify **REF + size**, e.g. **REF 103-08**

### Fenestration



#### TRACOE *comfort*

Standard holes for phonation can be found on the outer bend of all outer cannulas.

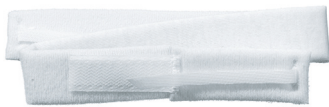
#### TRACOE *comfort plus*

Double fenestration leads to better phonation: *comfort plus* tubes have two additional phonation holes on the inner bend (tube length is adjusted according to the patient's increasing body mass index (BMI)). The inner cannulas are correspondingly fenestrated.

# Product information

## REF 164

### Scope of Supply of TRACOE *comfort* Tubes



All TRACOE *comfort* tubes are supplied with a wide adjustable neck strap and a product info card with two detachable labels.

### Heat & moisture exchanger

- ◆ TRACOE humid assist I REF 640-CT  
Heat & Moisture Exchanger with foam filter for attachment to any tube with 15 mm connector
- ◆ TRACOE humid assist III REF 641  
Heat & Moisture Exchanger with paper filter, integrated oxygen supply port, turnable through 360°, for attachment to any tube with 15 mm connector
- ◆ TRACOE humid assist VI REF 642  
Heat & Moisture Exchanger with foam filter, integrated oxygen supply port and pressure control valve for expectoration of larger quantities of secretion, for attachment to any tube with 15 mm connector

### Cleaning products

- ◆ TRACOE care Liquid Paraffin REF 902  
lets inner cannulas be easily inserted and removed, assures best possible fit and good quality of speech
- ◆ TRACOE tube clean Cleaning Kit REF 930-A/-B  
with cleaning powder REF 932
- ◆ TRACOE tube clean Cleaning Kit REF 931-A/-B  
with concentrated cleaning liquid REF 933

### Product Variants

Product variants can be made in order to optimise the functionality and wearing comfort and also for patients with complex anatomical and physiological conditions. The relevant ordering forms are available at [www.tracoe.com/en/downloads](http://www.tracoe.com/en/downloads).