

Product information

REF 215

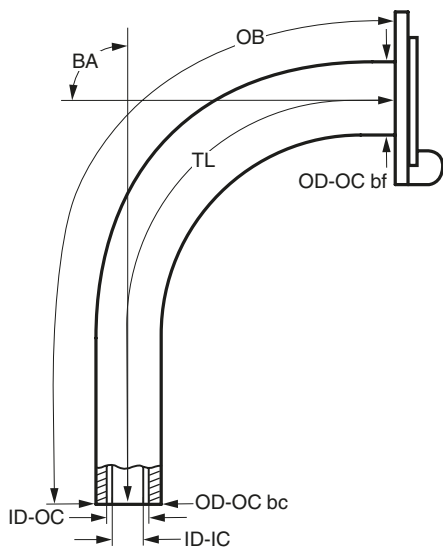


REF 215 **XL** 

TRACOE *comfort* XL Tracheostomy Tube fenestrated

- Including:
- ◆ inner cannula, fenestrated, with 15 mm connector
 - ◆ inner cannula with 15 mm connector
 - ◆ neck strap

Technical Data



REF 201, REF 202, REF 202-D, REF 203, REF 203-O, REF 203-A, REF 204, REF 204-O, REF 204-A, REF 204-A-O, REF 205, REF 215

Size	ID-OC mm	OD-OC bc mm	OD-OC bf mm	ID-IC mm	TL mm	OB mm	BA °
05	5.0	6.6	9.0	4.0	85	92	90°
06	6.0	7.7	9.8	5.0	87	95	90°
07	7.0	8.7	10.5	6.0	93	100	90°
08	8.0	10.5	12.2	6.7	96	105	90°
09	9.0	11.5	13.0	7.5	100	110	90°
10	10.0	12.5	14.5	8.8	104	115	90°
11	11.0	13.5	15.5	9.2	108	120	90°
12	12.0	14.4	16.4	10.0	112	125	90°
13	13.0	15.4	18.0	11.8	116	130	90°
14	14.0	16.4	18.2	12.6	122	135	90°

Tubes of size 13 and 14 are made to order. Delivery time is approx. 10 working days.

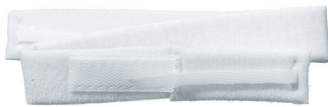
ID-OC: inside diameter (clear width) at bottom of outer cannula; **OD-OC bc:** outside diameter at bottom of outer cannula; **OD-OC bf:** outside diameter of outer cannula behind the flange; **ID-IC:** inside diameter at bottom of inner cannula; **TL:** length along centre line from start of neck flange to bottom of tube; **OB:** length along outer bend (greatest length); **BA:** bending angle

To order, specify **REF + size**, e.g. **REF 103-08**

Product information

REF 215

Scope of Supply of TRACOE *comfort* Tubes



All TRACOE *comfort* tubes are supplied with a wide adjustable neck strap and a product info card with two detachable labels.

Speaking valves and occlusion cap

- ◆ TRACOE phon assist I REF 650-T, REF 650-TO, REF 650-TO-C
Speaking Valve with air supply from the side, infinitely adjustable, for attachment to any fenestrated tube with 15 mm connector
- ◆ TRACOE phon assist II REF 655-T
Hands-free Speaking Valve, infinitely adjustable, for attachment to any fenestrated tube with 15 mm connector
- ◆ TRACOE *modular* REF 516
Occlusion Cap

Heat & moisture exchanger

- ◆ TRACOE humid assist I REF 640-CT
Heat & Moisture Exchanger with foam filter for attachment to any tube with 15 mm connector
- ◆ TRACOE humid assist III REF 641
Heat & Moisture Exchanger with paper filter, integrated oxygen supply port, turnable through 360°, for attachment to any tube with 15 mm connector
- ◆ TRACOE humid assist VI REF 642
Heat & Moisture Exchanger with foam filter, integrated oxygen supply port and pressure control valve for expectoration of larger quantities of secretion, for attachment to any tube with 15 mm connector

Cleaning products

- ◆ TRACOE care Liquid Paraffin REF 902
lets inner cannulas be easily inserted and removed, assures best possible fit and good quality of speech
- ◆ TRACOE tube clean Cleaning Kit REF 930-A/-B
with cleaning powder REF 932
- ◆ TRACOE tube clean Cleaning Kit REF 931-A/-B
with concentrated cleaning liquid REF 933

Product Variants

Product variants can be made in order to optimise the functionality and wearing comfort and also for patients with complex anatomical and physiological conditions. The relevant ordering forms are available at www.tracoe.com/en/downloads.