

# Product information

## REF 204-O

REF 204-O **XL** 

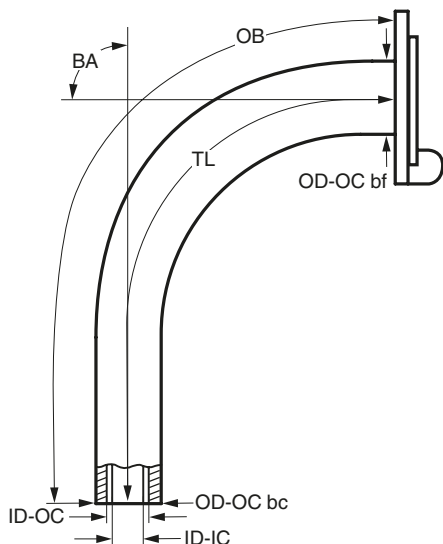


**TRACOE *comfort* XL Tracheostomy Tube**  
fenestrated with oxygen supply port attached to the inner cannula

- Including:
- ◆ inner cannula, fenestrated, with swivel speaking valve type B and oxygen supply port
  - ◆ inner cannula with low profile
  - ◆ neck strap

For tracheostomised patients with fully or partially intact larynx for speaking or e. g. with tracheal stenosis.  
Made upon order.

### Technical Data



REF 201, REF 202, REF 202-D, REF 203, REF 203-O, REF 203-A,  
REF 204, REF 204-O, REF 204-A, REF 204-A-O, REF 205, REF 215

Size	ID-OC mm	OD-OC bc mm	OD-OC bf mm	ID-IC mm	TL mm	OB mm	BA °
05	5.0	6.6	9.0	4.0	85	92	90°
06	6.0	7.7	9.8	5.0	87	95	90°
07	7.0	8.7	10.5	6.0	93	100	90°
08	8.0	10.5	12.2	6.7	96	105	90°
09	9.0	11.5	13.0	7.5	100	110	90°
10	10.0	12.5	14.5	8.8	104	115	90°
11	11.0	13.5	15.5	9.2	108	120	90°
12	12.0	14.4	16.4	10.0	112	125	90°
13	13.0	15.4	18.0	11.8	116	130	90°
14	14.0	16.4	18.2	12.6	122	135	90°

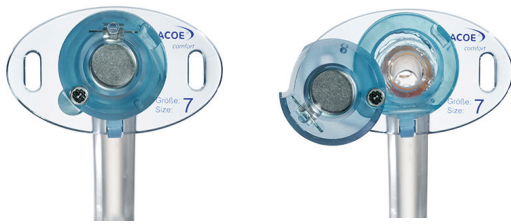
Tubes of size 13 and 14 are made to order. Delivery time is approx. 10 working days.

**ID-OC:** inside diameter (clear width) at bottom of outer cannula; **OD-OC bc:** outside diameter at bottom of outer cannula; **OD-OC bf:** outside diameter of outer cannula behind the flange; **ID-IC:** inside diameter at bottom of inner cannula;  
**TL:** length along centre line from start of neck flange to bottom of tube; **OB:** length along outer bend (greatest length);  
**BA:** bending angle

To order, specify **REF + size**, e. g. **REF 103-08**

# Product information

## REF 204-O



### ◆ TRACOE *comfort* Speaking Valve, type B

TRACOE *comfort* tubes with type B speaking valves have a swivelling holder that allows free access to the lumen of the inner cannula, e. g. for suctioning off tracheal secretions. The valve flap is protected from accidental distortion that would affect its function.

### Scope of Supply of TRACOE *comfort* Tubes



All TRACOE *comfort* tubes are supplied with a wide adjustable neck strap and a product info card with two detachable labels.

### Cleaning products

- ◆ TRACOE care Liquid Paraffin REF 902  
lets inner cannulas be easily inserted and removed, assures best possible fit and good quality of speech
- ◆ TRACOE tube clean Cleaning Kit REF 930-A/-B  
with cleaning powder REF 932
- ◆ TRACOE tube clean Cleaning Kit REF 931-A/-B  
with concentrated cleaning liquid REF 933

### Product Variants

Product variants can be made in order to optimise the functionality and wearing comfort and also for patients with complex anatomical and physiological conditions. The relevant ordering forms are available at [www.tracoe.com/en/downloads](http://www.tracoe.com/en/downloads).