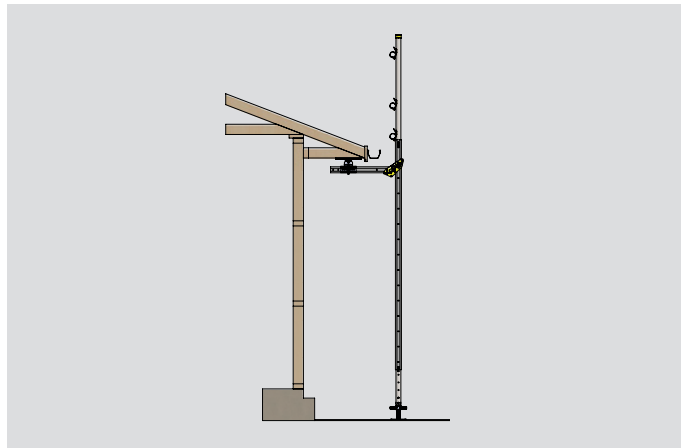


INTAKS® Soffit Prop (Re-Roof) Edge Protection System



OVERVIEW



SOFFIT PROP (RE-ROOF)

The INTAKS® Soffit Prop (Re-Roof) Edge Protection system is the perfect solution for re-roofing situations where a platform is not required. With a safe work method for installation of the vertical standards from the ground, and the ability to advance guardrail when installing handrails, this system offers multiple advantages to installers and end-users.

FEATURES & BENEFITS:

- Edge protection system uses pressure on the soffit bearer to keep standards in place and workers on the roof safe.
- Suitable for new builds or re-roofs.
- Unique, award-winning, solution for safely installing handrails on gables.
- Access platform available to improve ease and safety of roof access.
- Ability to advance guardrail improves safety and speed of handrail installation and dismantling.
- Up to 3.6m spans between handrail posts.
- Handrail height is adjustable.
- Handrail distance from edge of building is adjustable, providing versatility to installers to allow them to easily cope with varying soffit depths and gutter profiles.
- INTAKS® Lock Pin & R-Clip and Spring Clip mechanisms allow for visual inspection of correct installation.
- Modular components may be re-used in other configurations: no need to purchase a completely separate edge protection system.



INTAKS® Soffit Prop (Re-Roof) Edge Protection System



SYSTEM APPLICATIONS:

- Quickly and safely install edge protection for re-roofing of buildings which have soffits.

INSTALLATION PROCESS:

1. Soleboards and Screwjacks are placed out at planned intervals where standards are to be installed.
2. Extenders, Standards, Handrail Posts, Platform Arm Bracket, Platform Brace Bracket and Wall Foot are configured into one unit using the tool-less INTAKS® Lock Pin & R-Clip mechanism.
3. Position of Wall Foot is adjusted so that, when lifted into place, it will have contact with structural members of the soffit.
4. Configured Standard is slid over the Screwjack and pivoted upwards so the Wall Foot (covered with a strip of carpet or butynol) sits underneath the structural member of the soffit. The Screwjack is tightened until a positive connection with the soffit is achieved.
5. Handrails can be installed using the advance guardrail method and are secured to Handrail Posts using the tool-less INTAKS® Spring Clip mechanism.
6. Dismantling process is simply the reverse to the installation.

COMPONENTS:

For handrail:

- Handrail Tube (part #HR4 to HR#6)
- Handrail Joiners/External Sleeve Couplers (part #1165/#SES)
- Fixed 90° Couplers (part #SFC) and/or Swivel Couplers (part #SSC) – for joining handrails at corners

For each post:

- 1 x Handrail Post/Swivel Handrail Post (part #1101/#1102)
- 1 x Platform Arm Bracket (part #1076)
- 1 x Platform Brace Bracket (part #1111)
- 1 x Wall Foot (part #1130)
- 2 x Standard/Standard Arms (part #1172 to #1181)
- 1 x Extender (part #1160)
- 1 x Screwjack (part #SSJ450/#SSJ620)
- 1 x Soleboard (part #ISB)
- 7 x Lock Pins (part #1182)
- 7 x R-Clips (part #1900)

Note: components required will vary depending on set-up and site-specific requirements.

FASTENING TO STRUCTURE:

1. Wall foot must be located under a soffit that is properly supported by structural members and that is otherwise adequate to support the edge protection.
2. Wall foot should have a layer of carpet or butynol attached to prevent marking and improve friction.

MATERIALS:

1. Standards/Standard Arms, Extenders, Wall Feet, Platform Brace Brackets, Handrail Posts, Handrails – high strength, durable, light, T6 temper aluminium extrusions.
2. Platform Arm Brackets – zinc passivated and powder coated 5mm mild steel.
3. Soleboards – plywood.

WEIGHT:

- Nominal weight is 7.7kg/m to 8.8kg/linear metre, depending on set-up.

COMPLIANCE:

1. Designed and tested for dynamic loadings: may be used as edge protection for a flat surface or up to a maximum roof slope of 35 degrees.
2. Configuration has been tested and independently verified to AS/NZS 4994 Temporary edge protection standard.
3. Must be installed and dismantled by workers who hold the required competencies, but a scaffolder's certificate is not required.
4. Installation and dismantling must be completed by a competent person in accordance with the latest version of the INTAKS® Guidelines.

CONFIGURATIONS:

1. Soffit Prop (Re-Roof)

Important Note: All statements, technical information and recommendations contained in this document are based on information, tests or experience that INTAKS believes are reliable. However many factors beyond INTAKS' control can affect use and performance of an INTAKS® system in a particular situation. Scaffolding and edge protection requirements will vary depending on site specific factors. Since the conditions under which scaffolding and edge protection is installed are uniquely within the installers' knowledge and control, it is essential that the installer evaluates the INTAKS® system to determine whether it is fit for the intended purpose. INTAKS does not warrant that installations shown in photographs comply with current regulatory requirements, which may have changed since the photographs were taken. Photographs should not be relied on for guidance by installers. Installation of components by a non-competent person or installation that is not in accordance with current INTAKS® Guidelines voids system compliance certification.

Limitation of Liability: except where prohibited by law, INTAKS NZ will not be liable for any loss or damage arising from the use of INTAKS® components, whether direct, indirect, special, incidental or consequential, regardless of the legal theory asserted, including warranty, contract, negligence or strict liability.

v01.2019