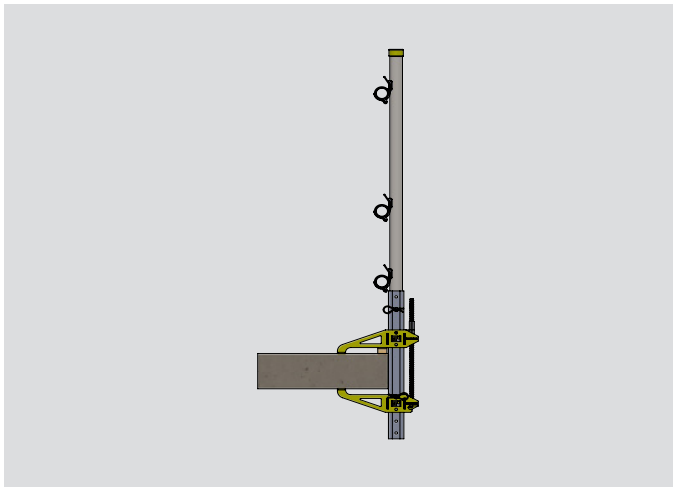


INTAKS® Floor Clamp Edge Protection System



OVERVIEW



CLAMPS / FLOOR CLAMP

The INTAKS® Floor Clamp Edge Protection system offers a strong but speedy edge protection solution on floor overhangs and balconies. Ease of installation is complemented by the neat and tidy on-site appearance.

FEATURES & BENEFITS:

- Edge protection system supported by concrete floor.
- No need to drill into the floor.
- Quick to install and adjust.
- Up to 3.6m spans between handrail posts.
- Two or three handrail configurations available.
- Handrail height is adjustable.
- INTAKS® Lock Pin & R-Clip and Spring Clip mechanisms allow for visual inspection of correct installation.
- Modular components may be re-used in other configurations – no need to purchase a completely separate edge protection system.

SYSTEM APPLICATIONS:

- Quickly and easily install edge protection on concrete floor overhangs and balconies.

INSTALLATION PROCESS:

1. Brackets, Standard Arm and packers positioned on the floor slab and clamped into position by tightening Threaded Rod.
2. Handrail Post then attached using the tool-less INTAKS® Lock Pin & R-Clip mechanism.
3. Handrails secured to Handrail Posts using the tool-less INTAKS® Spring Clip mechanism.
4. Dismantling process is simply the reverse to the installation.

COMPONENTS:

For handrail:

- Handrail Tube (part #HR4 to HR#6)
- Handrail Joiners/External Sleeve Couplers (part #1165/#SES)
- Fixed 90° Couplers (part #SFC) and/or Swivel Couplers (part #SSC) – for joining handrails at corners

For each post:

- 1 x Handrail Post/Swivel Handrail Post (part #1101/#1102)
- 1 x Standard Arm (part #1172)
- 2 x Parapet Brackets (part #1152)
- 1 x Threaded Rod (with 2 x Lock Nuts) (part #1245/#1260/#1275)
- 2 x Lock Pins (part #1182)
- 2 x R-Clips (part #1900)

Note: components required will vary depending on set-up and site-specific requirements.

FASTENING TO STRUCTURE:

1. No fasteners are required.
2. Floor to which Parapet Brackets are fixed must be fully and properly secured in position and otherwise be adequate to support the edge protection. Concrete must have minimum thickness of 120mm and a minimum compressive strength of 20MPa.

MATERIALS:

1. Standard Arms, Handrail Posts, Handrails – high strength, durable, light, T6 temper aluminium extrusions.
2. Parapet Brackets – zinc passivated and powder coated 5mm mild steel.

WEIGHT:

- Nominal weight is 4.5kg/m to 5.5kg/linear metre, depending on set-up.

INTAKS® Floor Clamp Edge Protection System



COMPLIANCE:

1. Designed and tested for static loadings: may be used as edge protection for a flat surface or up to a maximum roof slope of 15 degrees.
2. Configuration has been tested and independently verified to AS/NZS 4994 Temporary edge protection standard.
3. May be installed and dismantled by workers who hold the required competencies, but a scaffolder's certificate is not required.
4. Installation and dismantling must be completed by a competent person in accordance with the latest version of the INTAKS® Guidelines.

CONFIGURATIONS:

1. Clamps/Floor Clamp

Important Note: All statements, technical information and recommendations contained in this document are based on information, tests or experience that INTAKS believes are reliable. However many factors beyond INTAKS' control can affect use and performance of an INTAKS® system in a particular situation. Scaffolding and edge protection requirements will vary depending on site specific factors. Since the conditions under which scaffolding and edge protection is installed are uniquely within the installers' knowledge and control, it is essential that the installer evaluates the INTAKS® system to determine whether it is fit for the intended purpose. INTAKS does not warrant that installations shown in photographs comply with current regulatory requirements, which may have changed since the photographs were taken. Photographs should not be relied on for guidance by installers. Installation of components by a non-competent person or installation that is not in accordance with current INTAKS® Guidelines voids system compliance certification.

Limitation of Liability: except where prohibited by law, INTAKS NZ will not be liable for any loss or damage arising from the use of INTAKS® components, whether direct, indirect, special, incidental or consequential, regardless of the legal theory asserted, including warranty, contract, negligence or strict liability.

v01.2019