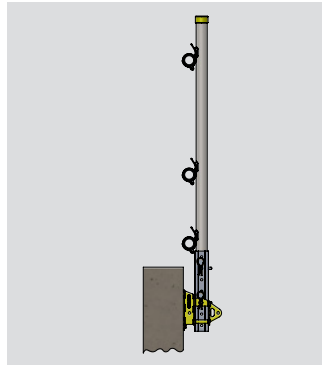


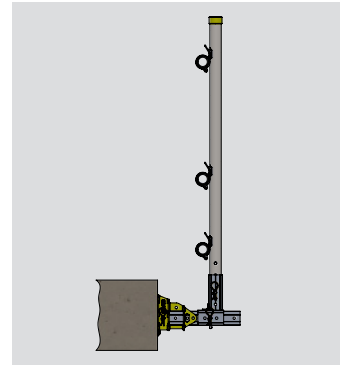
# INTAKS® Face Fixed (Concrete) Edge Protection System



## OVERVIEW



FACE FIXED / STRAIGHT-UP



FACE FIXED / DOG-LEG

The INTAKS® Face Fixed Edge Protection system offers an easy to install, adjustable solution to edge protection for tilt slab-constructed buildings or other concrete edges where protection is required. Dependable, innovative engineering that will keep you ahead of the curve.

## FEATURES & BENEFITS:

- Edge protection system supported by concrete tilt slab or other concrete edge.
- Highly adaptable and suitable for multiple situations.
- Up to 3.6m spans between handrail posts.
- Two or three handrail configurations available.
- Handrail height is adjustable.
- Handrail distance from edge of building is adjustable, allowing for soffit or floor overhangs.
- INTAKS® Lock Pin & R-Clip and Spring Clip mechanisms allow for visual inspection of correct installation.
- Modular components may be re-used in other configurations – no need to purchase a completely separate edge protection system.

## SYSTEM APPLICATIONS:

- Quickly and easily install edge protection on concrete tilt slab and other concrete edges.

# INTAKS® Face Fixed (Concrete) Edge Protection System



## INSTALLATION PROCESS:

1. Installer works from safety of a scissor lift or EWP and bolts Boot Bracket onto concrete with Ankascrew bolts.
2. Standard Arm and Handrail Post inserted into Boot Bracket and secured in place using the tool-less INTAKS® Lock Pin & R-Clip mechanism.
3. Handrails secured to Handrail Posts using the tool-less INTAKS® Spring Clip mechanism.
4. Dismantling process is simply the reverse to the installation.

## COMPONENTS:

### For handrail:

- Handrail Tube (part #HR4 to HR#6)
- Handrail Joiners/External Sleeve Couplers (part #1165/#SES)
- Fixed 90° Couplers (part #SFC) and/or Swivel Couplers (part #SSC) – for joining handrails at corners

### For each post:

- 1 x Handrail Post/Swivel Handrail Post (part #1101/#1102)
- 1 x Standard Arm (part #1172)
- 1 x Boot Bracket (part #1148)
- 2 x Lock Pins (part #1182)
- 2 x R-Clips (part #1900)

## FASTENING TO STRUCTURE:

1. Boot Bracket bolted onto concrete with 2 x Ankascrew bolts.
2. Concrete to which Boot Brackets are fixed must be fully and properly secured in position and otherwise be adequate to support the edge protection. Concrete must have a fixing substrate at least 90mm to 120mm thick and with a minimum compressive strength of 20MPa.

## MATERIALS:

1. Standard Arms, Handrail Posts, Handrails – high strength, durable, light, T6 temper aluminium extrusions.
2. Boot Brackets – zinc passivated and powder coated 5mm mild steel.

## WEIGHT:

- Nominal weight is 3.6kg/m to 5.9kg/linear metre, depending on set-up.

## CONFIGURATIONS:

1. Face Fixed/Concrete
2. Face Fixed/Timber



## COMPLIANCE:

1. Designed and tested for static loadings: may be used as edge protection for a flat surface or up to a maximum roof slope of 15 degrees.
2. Configuration has been tested and independently verified to AS/NZS 4994 Temporary edge protection standard.
3. May be installed and dismantled by workers who hold the required competencies, but a scaffolder's certificate is not required.
4. Installation and dismantling must be completed by a competent person in accordance with the latest version of the INTAKS® Guidelines.

**Important Note:** All statements, technical information and recommendations contained in this document are based on information, tests or experience that INTAKS believes are reliable. However many factors beyond INTAKS' control can affect use and performance of an INTAKS® system in a particular situation. Scaffolding and edge protection requirements will vary depending on site specific factors. Since the conditions under which scaffolding and edge protection is installed are uniquely within the installers' knowledge and control, it is essential that the installer evaluates the INTAKS® system to determine whether it is fit for the intended purpose. INTAKS does not warrant that installations shown in photographs comply with current regulatory requirements, which may have changed since the photographs were taken. Photographs should not be relied on for guidance by installers. Installation of components by a non-competent person or installation that is not in accordance with current INTAKS® Guidelines voids system compliance certification.

**Limitation of Liability:** except where prohibited by law, INTAKS NZ will not be liable for any loss or damage arising from the use of INTAKS® components, whether direct, indirect, special, incidental or consequential, regardless of the legal theory asserted, including warranty, contract, negligence or strict liability.

v01.2019