

High Tension Spark Igniters (HTSI)

The High Tension Spark Igniter is a Class 3 Special Ignition source used for direct spark ignition of natural gas or propane igniters.

Product Overview

Forney's High Tension Spark Igniter (HTSI) is a low cost ignition source option designed to provide spark ignition for gas-fired pilots and igniters.

The High Tension Spark Igniter consists of three major components: a High Tension spark rod with spark plug style cable connector, pre-fabricated high voltage cable, and a 6000 VAC transformer.

The transformer is suitable for wall mounting at the burner front or can optionally be supplied packaged in a NEMA 4 or 4x cabinet. The transformer delivers 6000 volts to the spark rod tip through the cable assembly. The transformer operates on primary voltage of 120 VAC or 220 VAC. It has a 100% duty cycle at rated temperature.

The spark rod assembly is a self contained design, 5/8 inch (16 mm) available in 2 inch (51-mm) increments between 14" to 210" (356 mm to 5334 mm) long.

The cable assembly is a high voltage cable with Rajah-style spark plug connection with protective boot.

Features & Benefits

- **ENCASED CERAMICS -**
All insulation and ceramics are encased within the stainless steel rod, preventing cracking and grounding issues.
- **NO GAP ADJUSTMENT-**
Spark rod tip employs center electrode design that eliminates requirement for gap adjustment.
- **ADAPTABILITY -**
Designed for use on all MaxFire gas igniters and small diameter, .62" (15.75 mm) O.D. allows for easy retrofit on numerous competitors gas igniters.



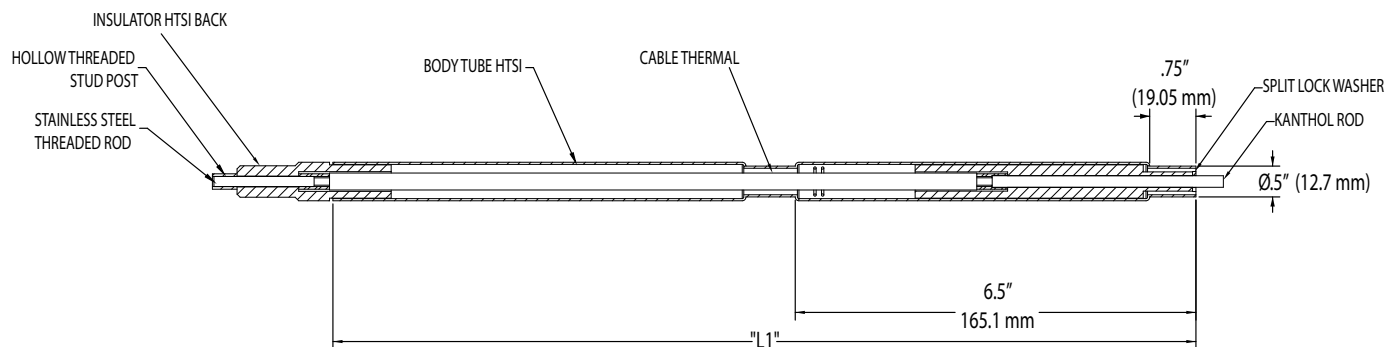
High Tension Spark Igniters (HTSI)

Products and Accessories:

HTSI Spark Rod Assembly	Part #369310-xx
Cable Assembly	Part #399632-xx
Mount Tube	Part #370311-xx
Mount Tube with retraction	Part # Consult Forney
Transformer, 110 V, 50Hz	Part #76638-00
Transformer, 220V, 50Hz	Part #76638-01
Transformer, 120V, 60Hz	Part #76638-02

Specifications

Amperage:	20 mA
Input Voltage:	120 / 240 VAC, 50 / 60 HZ
Output Voltage:	6000 VAC
Duty Cycle:	100% at temperature rating
Igniter Class:	Class 3 special for gas igniters
Spark Rod Length:	14" to 210" (356 mm to 5334 mm) in 2" (51 mm) increments
Spark Rod Diameter:	5/8" (16 mm)
Spark Tip Type:	Fixed spark gap
Spark Tip Material:	Stainless steel with a ceramic insulator
Maximum Recommended Tip Temperature:	1000°F (537°C)
Power Unit Temperature Ratings:	-40°F to 105°F (-40°C to 40°C)
Power Cable Lengths:	1' to 15' (305 mm to 4572 mm)



Available in lengths "L1" from 14" to 210" (356 to 5334 mm)
in 2" (51 mm) increments.