

# UV-4 Flame Detector

*The Forney UV-4 is an ultraviolet detector head utilizing remote amplification with advanced signal processing capabilities for gas or light oil flames.*

## Product Overview

The UV-4 is exceptional at sensing ultraviolet radiation that is emitted from the combustion of gas or light oil. The spectral radiation of these fuels in the ultraviolet range is significantly greater than other fuels, and allows the UV-4 to positively sense and discriminate a targeted flame. The UV-4 can be applied to both wall-fired and tilting-tangential type burners. The UV-4 is used in conjunction with the Forney IDD 9000 or DR-6101E Amplifier and is connected by a four conductor, shielded prefabricated cable.

The UV-4 assembly is available with two different base configurations: "front mount" for wall burners and "fiber optic mount" for tilting type burners or where special sighting is required. The UV-4 is self checking for use as a main flame detector or Class 1 or 2 igniter detector. The UV-4 uses a high quality photoionization tube sensor with a rugged aluminum mechanical shutter.

## Features & Benefits

- **ULTRAVIOLET SENSITIVE**  
Detects flames produced by the combustion of gas or light oil.
- **SELF-CHECKING ELECTRONICS**  
Provides automatic system diagnostics to enhance operational safety.
- **FIBER OPTIC CONNECTIONS**  
Base configurations are available for tilting burner designs.
- **NEMA 4 RATED HOUSING**  
The rugged yet light weight housing provides the protection necessary to withstand a burner front environment.
- **SIMPLIFIED INSTALLATION AND MAINTENANCE**  
Quick disconnects available for ease of replacement.
- **FACTORY MUTUAL APPROVED**  
Factory Mutual (FM) approval means safe operation and lower insurance rates.



# UV-4 Flame Detector

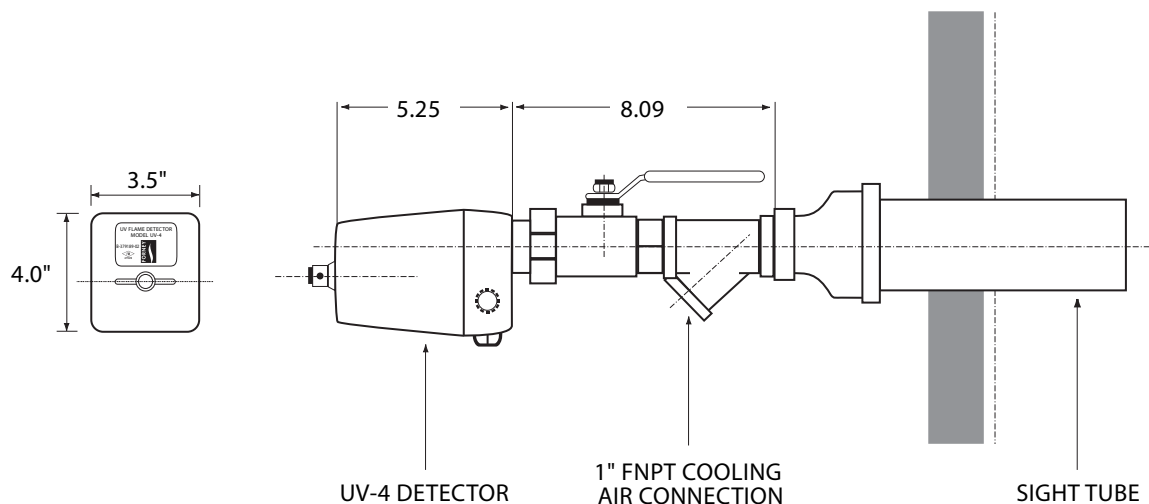
Pub # 404005-17  
Rev 01/2011

## Products and Accessories:

UV-4 Detector	Part #37918902
UV-4 Base (Front Mount w/lens)	Part #37900901
UV-4 Base (Fiber-optic Mount)	Part #37850301
Isolation Valve & Wye	Part #35275001
Four Conductor Cable (40 feet)	Part #37997205

## Specifications:

Mounting:	1" FNPT
Material:	Die cast aluminum housing with matte black, anti-slip finish
Electrical:	15 VDC (supplied by the amplifier)
Electrical Connections:	MS Bayonet Connector supplied with cable, 1/2" flexible conduit required
Temperature Ratings:	32°F to 140°F (0°C to 60°C)
Humidity:	0-95% relative humidity, non-condensing
Cooling Air:	10 SCFM
Cooling Air Connection:	1" FNPT
Weight:	4 lbs 6 oz
Check Cycle:	Once every two minutes
Sensor/Wave Length:	UV photoionization tube, 190-260 nm
Approvals:	Factory Mutual (FM)



**Forney Corporation**

16479 North Dallas Parkway, Suite 600 • Addison, TX 75001  
800-356-7740 • Fax 972-458-6650 • [www.forneycorp.com](http://www.forneycorp.com)