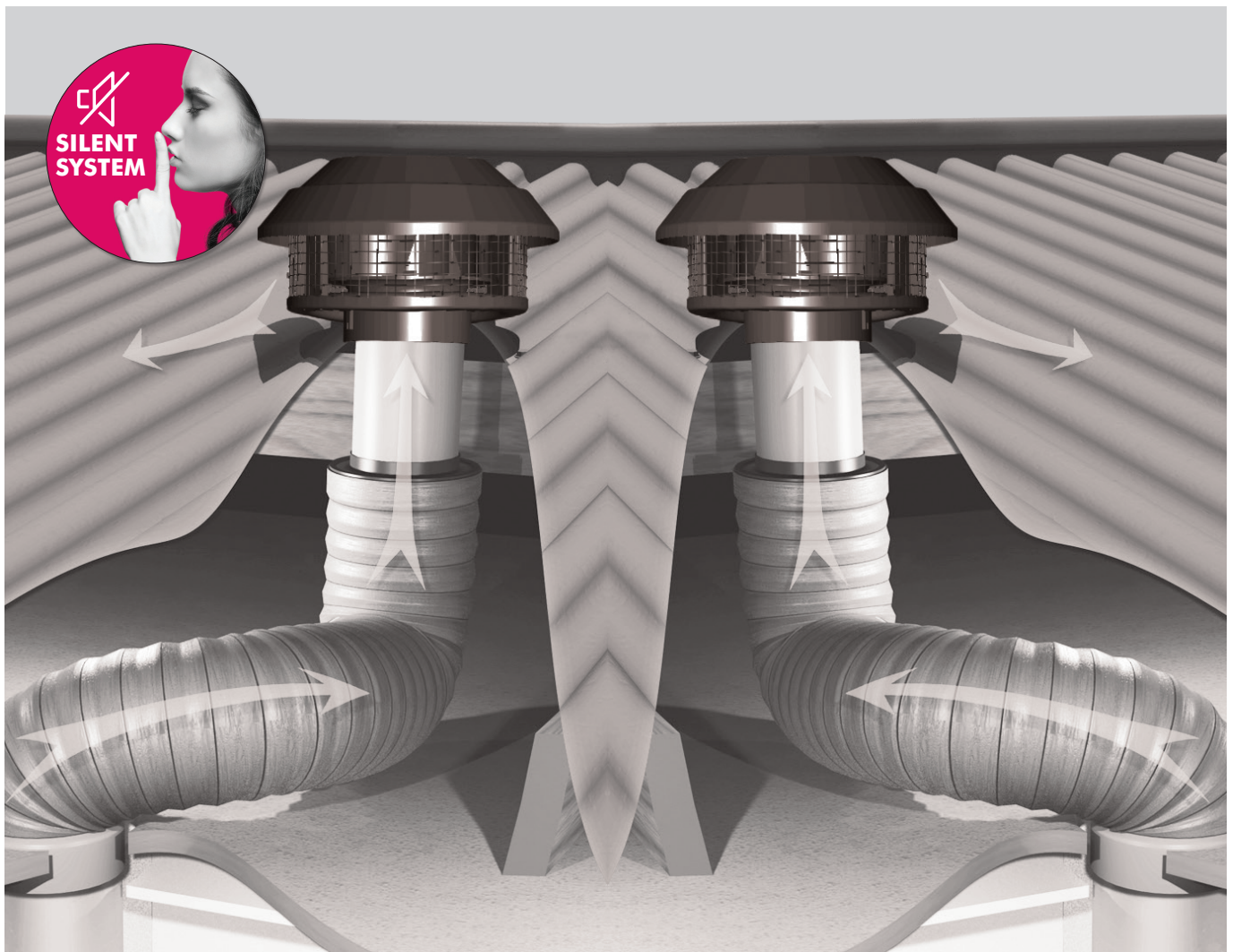


## ISODRIVE® 3000 SILENT RANGEHOOD MOTOR SOLUTION



- Schweigen's patented Isodrive® solution is to take the fan and motor out of the rangehood and mount them outside the home on the roof or wall
- German engineered Silent Isodrive® Twin 1600m<sup>3</sup>/h motors with patented Australian venting system
- Extracts smoke, steam and airborne grease, fat and oil particles in one complete process
- Unique motor design resulting in minimal external obstruction
- Modern, colourbond housing designed to maximise airflow
- 3 times more efficient when compared to a traditional internally motored rangehood
- Suitable for use with Schweigen **Silent** ceiling cassettes and alfresco rangehoods



# ISODRIVE® 3000 SILENT RANGEHOOD MOTOR SOLUTION

## DESCRIPTION

- Isodrive® motor with mounting system
- Patented anti-water intrusion, weather protection system (IPX4 rated)
- Super quiet, long vane, backward curved centrifugal fan
- Motor can be mounted 6 to 10 metres from the rangehood
- Mounts on the roof or wall
- Ducting included

## TECHNICAL DATA

### Isodrive® Twin 1600

- Fan Module
- 3.5 metre 10amp cable
- Weather Guard
- Bell Mouth Adaptor
- Flexible Ducting (6m), 200mm
- 150mm Fire resistant PVC riser pipe
- Back draft shutter
- Instruction Manual

### Optional Accessories:

- Wall cover plate
- Wall hanging bracket
- Flat roof flange

## MOTOR POWER

- **Twin motors** -3000m<sup>3</sup>/hr extraction power
- 10 Year Warranty on Motor

For more information

