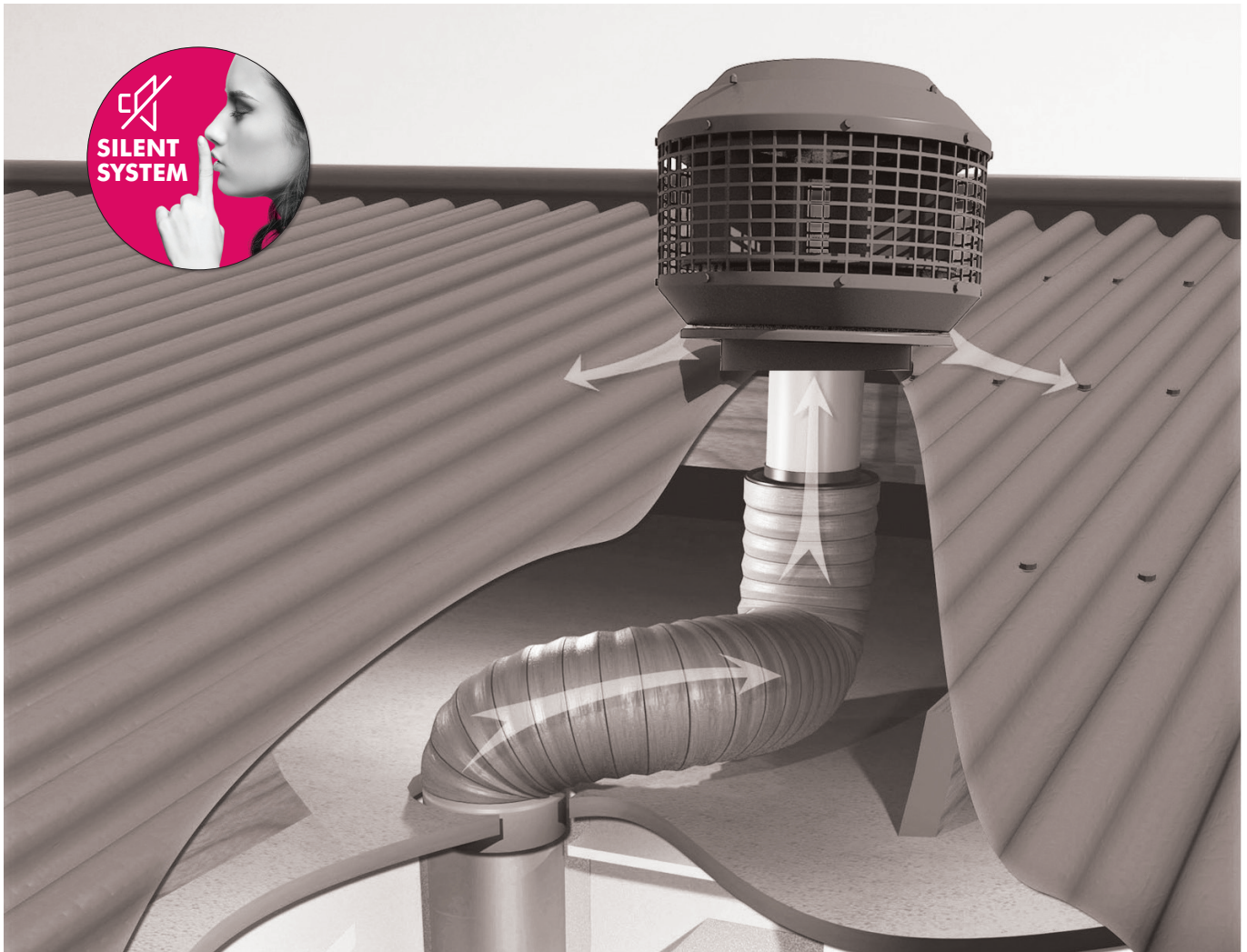


ISODRIVE® SE.3200 SILENT RANGEHOOD MOTOR SOLUTION



- Schweigen's patented Isodrive® solution is to take the fan and motor out of the rangehood and mount them outside the home on the roof or wall
- German engineered Silent Isodrive® 3200m³/h motor with patented Australian venting system
- Extracts smoke, steam and airborne grease, fat and oil particles in one complete process
- Unique motor design resulting in minimal external obstruction
- Modern, colourbond housing designed to maximise airflow
- 3 times more efficient when compared to a traditional internally motored rangehood
- Suitable for use with all Schweigen **Silent** ceiling cassettes and alfresco rangehoods



ISODRIVE® SE.3200 SILENT RANGEHOOD MOTOR SOLUTION

DESCRIPTION

- Isodrive® motor with mounting system
- Patented anti-water intrusion, weather protection system (IPX4 rated)
- Super quiet, long vane, backward curved centrifugal fan
- Motor can be mounted up to 6 metres from the rangehood
- Mounts on the roof or wall
- Ducting included

TECHNICAL DATA

Isodrive® 3200

- Fan Module
- 3.5 metre 10amp cable
- Bell Mouth Adaptor
- 250mm diameter Flexi-Duct (4m)
- Rangehood Reducer (250mm to 200mm)
- 200mm diameter Flexi-Duct (1.5m)
- 250mm Fire resistant PVC riser pipe
- Instruction Manual

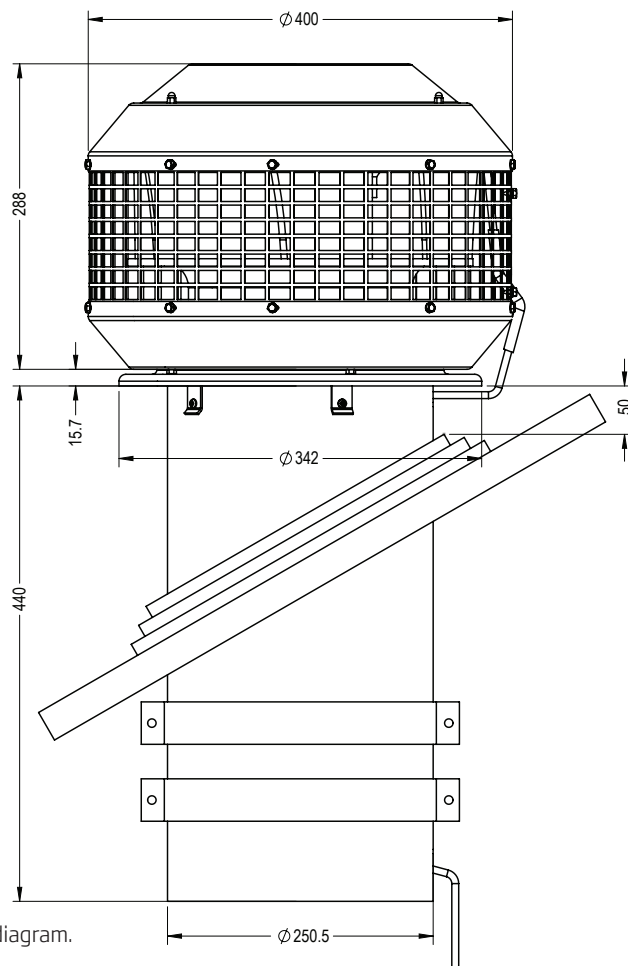
Optional Accessories:

- SE Accessory kit - Y branch Flexi-Duct
- Back draft shutter
- Weather guard
- Wall cover plate

MOTOR POWER

- **Single motor** - 3200m³/hr extraction power
- 10 Year Warranty on Motor

For more information



Motor weight: 8.3kg net.
Shutter assembly is not shown in the diagram.