

Installation Instructions

PT-T3SL PT and PF SERIES

Low Temperature 3 Way (Tee) Splice Kit

HEATER ZONE MARKERS

The heater zone markers for the PT cable are raised bumps on the cable edge. The markers on the PF cable may be raised bumps or slight depressions on the cable edge.

ITEMS REQUIRED BUT NOT SUPPLIED

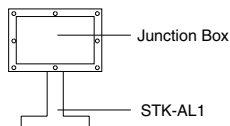
- Weather-tight junction box, with 3/4" NPT hubs.
- Silicone sealant (RTV).

TOOLS REQUIRED

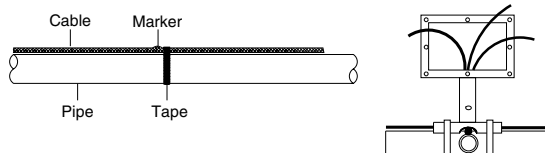
- Crimping Tool
- Wire Stripper/Cutter
- Utility Knife
- Screw Drivers
- Needle Nose Pliers
- Adjustable Wrench
- Measuring Tape

TERMINATING

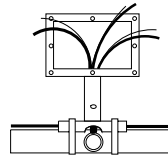
1. Install junction box over STK-AL1.



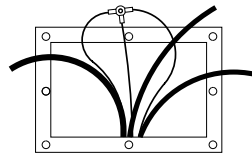
2. Locate heater zone markers. Cut cables 12" from the end of the marker. Push the cables through the STK-AL1 into the junction box. (The last marker should remain fastened to the pipe.) Fasten the STK-AL1 to the pipe with pipe straps.



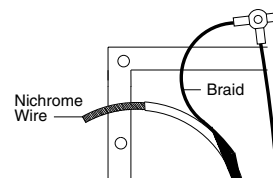
3. Comb the braid back 4" on each cable and twist into a conductor.



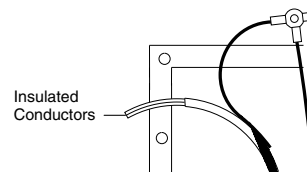
4. Crimp the 3-way ring connector to each individual braid and ground to the junction box.



5. Remove 2" of the outer jacket from each cable.



6. Remove all nichrome wire from the insulated conductors.

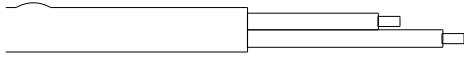


Installation Instructions continued...

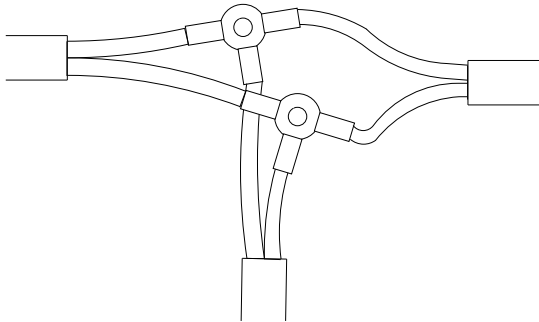


Warning: The PCK-PT/PF must be installed by a qualified electrician. All assembly, installation, and test instructions must be followed. Improper installation can result in property damage, serious injury, or death due to electric shock. Please call Delta-Therm Corporation at 1-800-526-7887 with any installation or operating questions.

7. Cut back one of the heater cable conductors 5/8" so that the splices will be staggered. Strip the leads back 1/4" on the heater cable conductors.

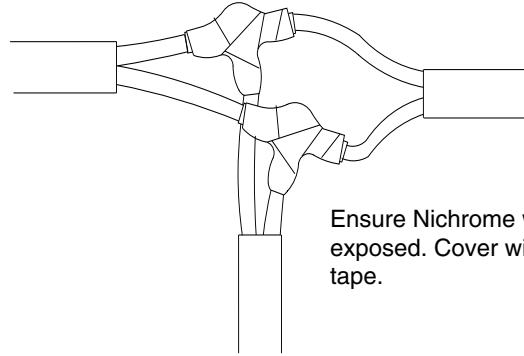


8. Using the 3 way butt splices, crimp the heaters together.



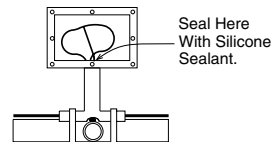
Ground braid not shown for clarity.

9. Insulate each 3 way butt splice from the other and from the ground with Silicone tape.



Ensure Nichrome wire is not exposed. Cover with Silicone tape.

10. Seal the entry from the connection nipple with silicone sealant (RTV). Insert the splice into the junction box and cover. Fasten the caution label (CL-S) to the junction box.



TECHNICAL SUPPORT

Please call Delta-Therm Corporation at 800-526-7887 with any installation or operating questions.