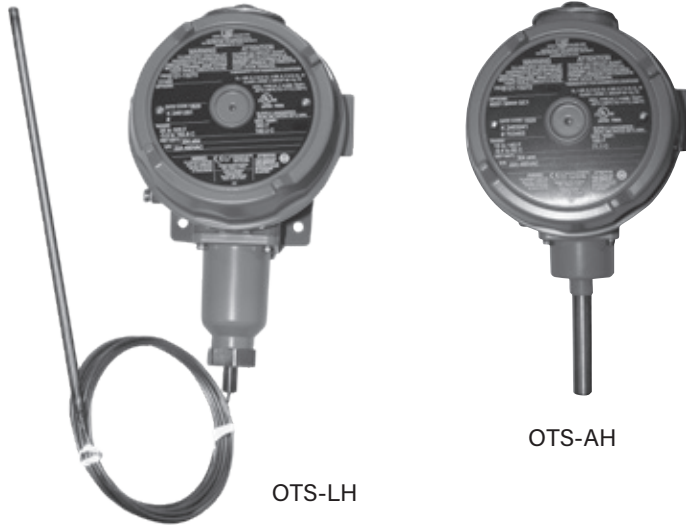


OTS-LH and OTS-AH

Line and Ambient Sensing Thermostats (Explosion-proof)



OTS-LH

OTS-AH

OTS-LH DESCRIPTION

Delta-Therm's OTS-LH is an explosion-proof line sensing temperature control suitable for indoor or outdoor use in classified locations. The lightweight NEMA 4X, 7, 9 and IP66 enclosure is made of die cast aluminum. The thermostat contains a calibrated reference dial with a stainless steel tamper-resistant cover. A liquid-filled thermal system, with stainless steel bulb and capillary, ensures a dependable and accurate control system.

OTS-AH DESCRIPTION

Delta-Therm's OTS-AH is an explosion-proof ambient sensing temperature control suitable for indoor or outdoor use in classified locations. The lightweight NEMA 4X, 7, 9 AND IP66 enclosure is made of die cast aluminum. The thermostat contains a calibrated reference dial and tamper-resistant cover. A liquid-filled stainless steel stem ensures a dependable and accurate control system.

FEATURES

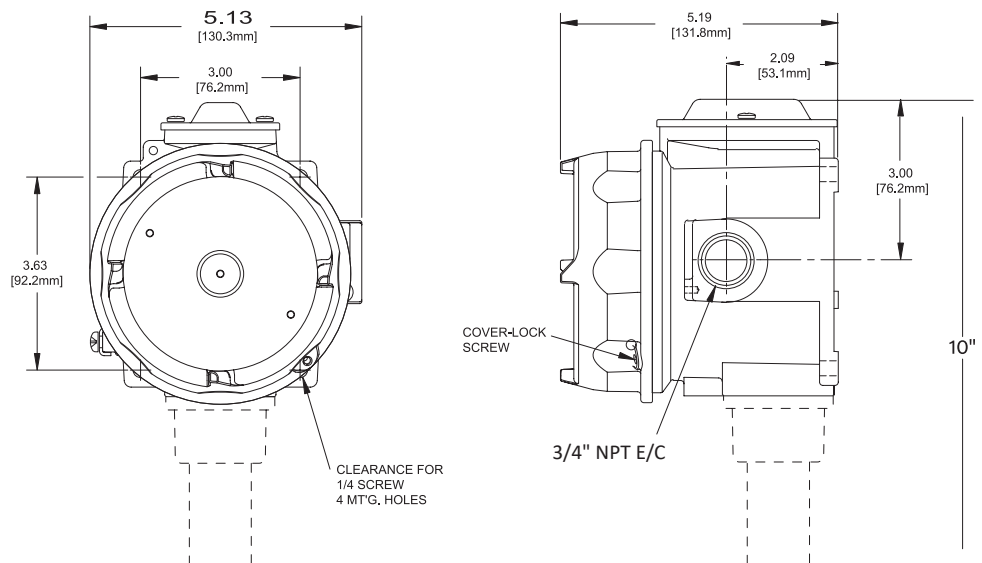
- Single Switch Output
- Epoxy Coated and Gasketed Cast Aluminum Enclosure Type 4X
- Stainless steel dial cover
- Tamper-Resistant Set Point "Lock"
- Adjustable Range

APPLICATIONS

Classified area pipe-tracing systems

APPROVALS

UL Class I, Div. 1 & 2 Grps. B, C & D	CSA / FM Class I, Div. 1 & 2 Grps. B, C & D
Class II, Div. 1 & 2 Grps #, F & G	Class II, Div. 1 & 2 Grps. E, F & G
	Class III, Div. 1 & 2



Dimensions are for housing only.

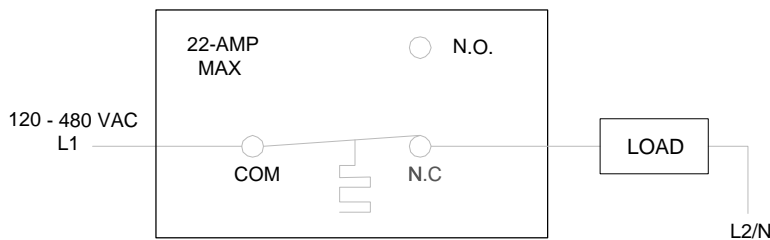
OTS-LH and OTS-AH Technical Information

OTS-LH SPECIFICATIONS

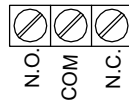
Enclosure:	NEMA 4X, 7, 9 and IP66. Die cast aluminum, epoxy powder coated gasketed, stainless steel tamper-resistant dial cover.
Connection:	1/2" NPT (female)
Switch:	Single pole, double throw (SPDT) snap action switching element.
Adj. Set Point Range:	25°F to 325°F (-4°C to 163°C)
Max. Temp:	360°F (182°C)
Ambient Range of Enclosure:	-40°F to 160°F (-40°C to 71°C)
Rating:	22 Amps up to 480VAC
Sensor:	10' (3m) SS capillary .312/8 Inches (8mm/20cm) bulb
Differential:	6°F approximately (3.3°C)
Wiring:	Heating - open on temperature rise, wire to Com and NC.

OTS-AH SPECIFICATIONS

Enclosure:	NEMA 4X, 7, 9 and IP66. Die cast aluminum, epoxy powder coated gasketed, stainless steel tamper-resistant dial cover.
Connection:	3/4" NPT (female)
Switch:	Single pole, double throw, snap action switching element.
Adj. Set Point Range:	15°F to 140°F (-9°C to 60°C)
Max. Temp:	160°F (71°C)
Ambient Range of Enclosure:	-40°F to 160°F (-40°C to 71°C)
Rating:	22 Amps up to 480VAC
Sensor:	Stainless Steel Stem
Differential:	2.5°F (approximate) (1.4°C) Heating
Wiring:	- open on temperature rise, wire to Com and NC.



OTS-LH and OTS-AH THERMOSTAT
LINE DIAGRAM
(OPEN ON RISE)



Storage Temperature: -40°F to 160°F (-40°C to 71°C)

Set Point Repeatability: +/- 1% of full scale range

Temperature Deadband: Typically 2% of range under laboratory conditions (70°F ambient circulating bath at rate of 1/2°F per minute change.) Approximately 6°F.

Temperature Assembly: OTS-LH: 10 ft. Stainless Steel Bulb & Capillary. OTS-AH - Stainless Steel stem.