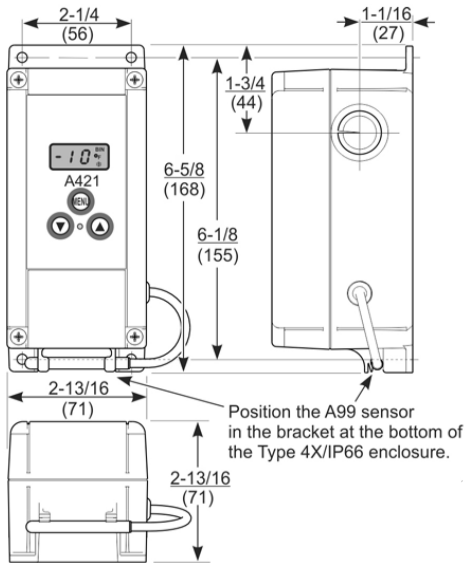


Installation Instructions

A421AEC-2C

Electronic Temperature Control



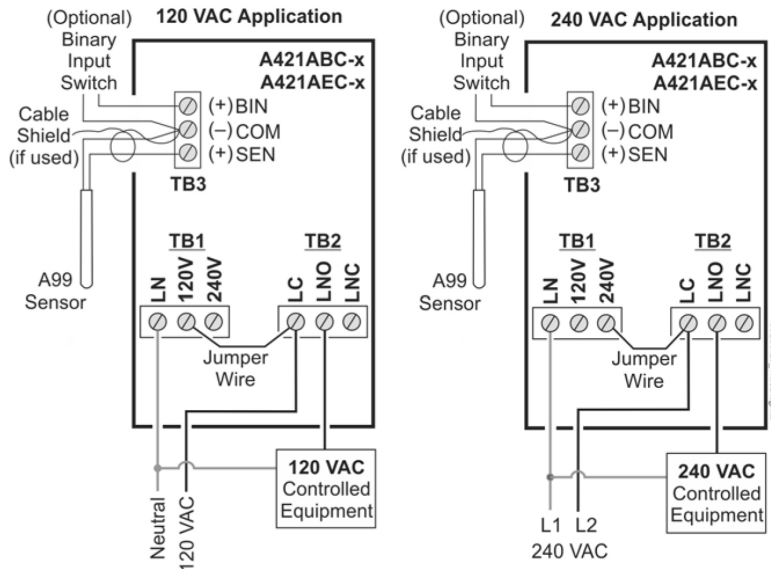
Detail 1. Enclosure Dimensions

See instructions included with product for more information.


Maximum Recommended Sensor Cable Lengths and Wire Sizes

Wire Gauge	Maximum Sensor Cable Length* Ft. (m)
16 AWG	500' (150)
18 AWG	300' (100)
20 AWG	200' (60)
22 AWG	125' (40)

*At the listed maximum cable lengths there is less than 1°F (0.6°C) error in the actual temperature vs. displayed temperature.



Detail 2. Wiring the A421 Series Controls using the same power source to power the control operation and power the controlled equipment.



WARNING

WARNING: Risk of Electrical Shock. Disconnect or isolate all power supplies before making electrical connections. More than one disconnect or isolation may be required to completely deenergize equipment. Contact with components carrying hazardous voltage can cause electric shock and may result in severe personal injury or death.

TECHNICAL SUPPORT

Please call Delta-Therm Corporation at 800-526-7887 with any installation or operating questions.