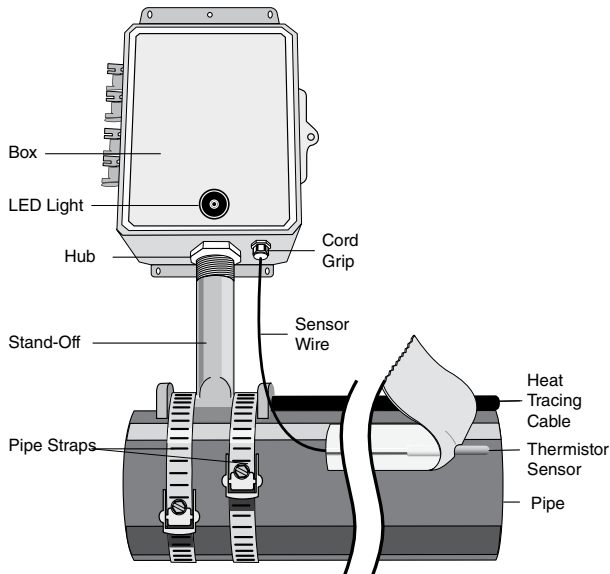


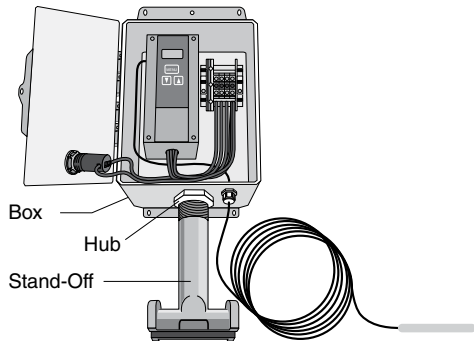
# Installation Instructions

## OLC-PC

### Electronic Temperature Control & Monitor Light for Ordinary Locations



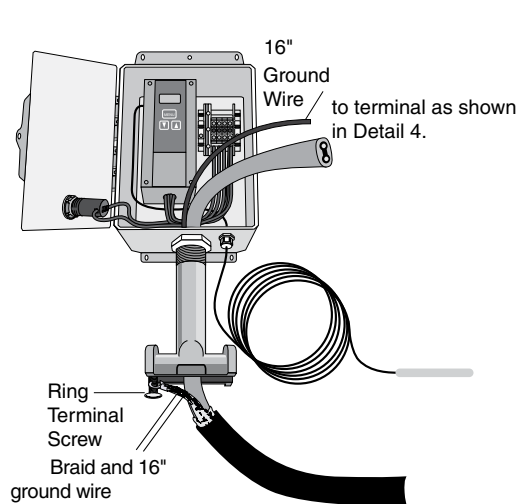
**Detail 1.** Finished installation of the OLC-PC when installed for line sensing applications.



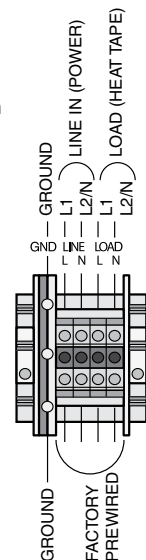
**Detail 2.** Box on stand-off with open OLC-PC door.

#### INSTALLATION

1. Screw the hub onto the stand off and remove hub locknut. Open OLC-PC panel door, place box on hub, and secure with locknut. Refer to Detail 2.
2. Terminate heat trace cable following the instructions included with the power connection kit. Add a 16" ground wire and secure with screw provided. Refer to Detail 3.
3. Connect heat trace cable to the internal terminal block (labeled LOAD L1 & L2/N). Refer to Detail 4.
4. Connect ground wire to ground terminal and close the OLC-PC panel door.
5. For line sensing applications attach the thermistor directly to pipe, under insulation. For ambient sensing applications mount sensor in a suitable location, do not locate in direct sunlight or on surfaces which absorb heat. Connect thermistor sensor to OLC-PC with cord grip or conduit. Do not mix with line voltage wiring.
6. Connect conduit and electrical power as shown in Detail 4.



**Detail 3.** Insert cable, attach ring terminal, ground wire and braid.



**Detail 4.** Terminals

#### TECHNICAL SUPPORT

Please call 1-800-526-7887 with any questions.