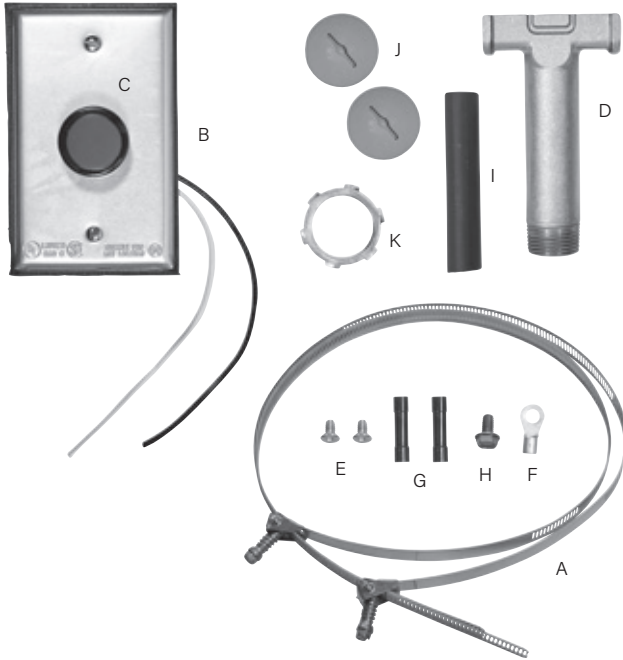


OL-LED Monitor Light Aluminum Box - Ordinary Location



- A. Stainless Steel Pipe Straps (2)
- B. Aluminum Junction Box with .75" Knockout
- C. LED Light
- D. Standoff Pipe
- E. Screws (2)
- F. Ring Connector
- G. Butt Connectors (2)
- H. Ground Screw
- I. 3" of .5" (8 x 1cm) Diameter Heat Shrink Sleeve
- J. Knockout Plugs (2)
- K. .75" (2cm) Sealing Locknut Small

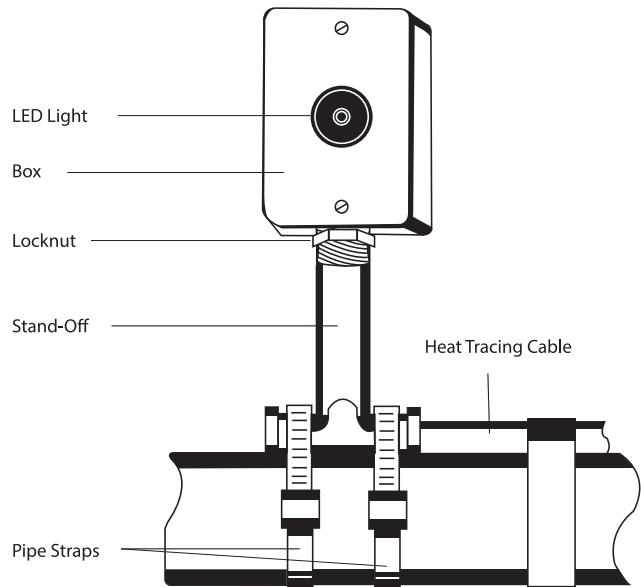
DESCRIPTION

The Delta-Therm OL-LED monitor light provides a means for end of line continuity monitoring of field terminated self-regulating and constant wattage cables.

The OL-LED is supplied complete with stand-off and all necessary components to install the unit onto a pipe quickly and easily.

OL-LED FEATURES

- 100,000 hours operating life
- Vibration resistant
- Eliminates lamp failure due to fragile lamp filaments
- Large viewing angle
- Suitable for wet locations
- 120, 208, 240, or 277VAC operation
- One monitor light stocking item for four voltages
- Light intensity comparable to incandescent lamps and far superior to neon lamps



Detail 1.