

T-AL Series Aluminum Heat Transfer Tape



SPECIFICATIONS

Elongation:	9%
Thickness:	.003" (.08cm)
Width:	T-AL200 2" (5cm) T-AL400 4" (10cm)
Tensile Strength:	21 lbs/inch
Length:	150' (46m) with release liner
Temperature Rating:	-40° F to 260° F (-40°C to 127°C)
Minimum Application Temperature:	-10°F (-23° C)

DESCRIPTION

Delta-Therm aluminum heat transfer tape comes with an acrylic-based adhesive backing for securing heating cable to tanks or pipes. Recommended for use on plastic and/or metal pipe to improve heat transfer.

NOTES FOR TRACED PLASTIC PIPES

Aluminum heat transfer tape must be used on plastic pipe to partially offset the poor heat transfer characteristics of plastic.

Install the aluminum heat transfer tape directly to the pipe in the same direction as the heating cable. Install cable over the tape.

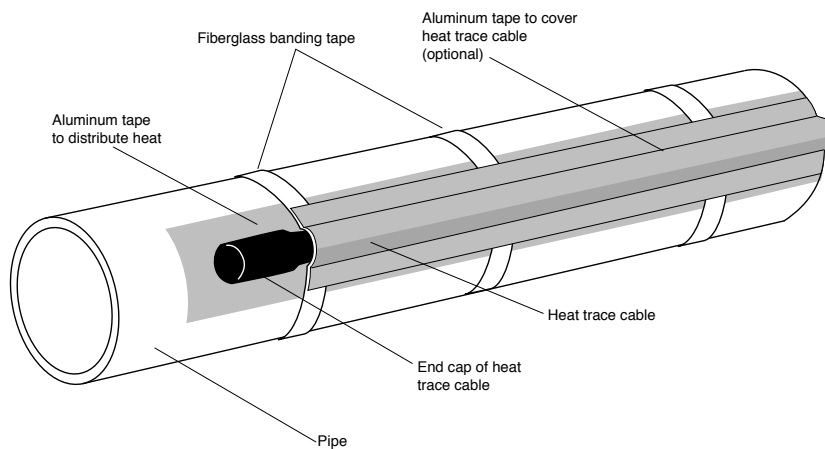
NOTES FOR TRACED METAL PIPES

Strap cable to pipe every 12" (30cm). Apply tape over cable in the same direction so that the heater cable is centered within the tape.

For applications with Power Trace constant watt cables, apply the T-AL200 over the cable. Refer to Detail 1 on back.

INSTALLING THE ALUMINUM HEAT TRANSFER TAPE

Apply Delta-Therm T-AL200 or T-AL400 aluminum heat transfer tape on the outside of PVC, fiberglass, or other non-metallic pipes where the cable is to be installed. The cable must have two layers of T-AL tape; one layer under the cable and the other layer over the cable. When installing self-regulating cable, apply one layer over the cable.



Detail 1. Install aluminum heat transfer tape and cable on pipe.

TECHNICAL SUPPORT

A full set of instructions is included with order. Please call (800) 526-7887 with any questions.