

OTS-F1

Ambient Sensing Thermostat



DESCRIPTION

Delta-Therm's OTS-F1 can be used as an ambient sensing thermostat (with capillary coiled) or a line sensing thermostat. Line sensing occurs when the bulb is attached directly to a pipe. The OTS-F1 has a fixed set point of 40°F (4°C). The enclosure is NEMA 4X (weatherproof and corrosion-resistant). The OTS-F1 comes with a rubber coated bulb which may be used in air, gases, or liquids. The maximum temperature for the sensing bulb is 140°F (60°C). The thermostat also features a ten foot capillary.

The OTS-F1 comes individually boxed with an instruction sheet.



APPLICATIONS

- Pipe Tracing Systems
- Tank Trace Systems
- Permafrost Prevention Systems

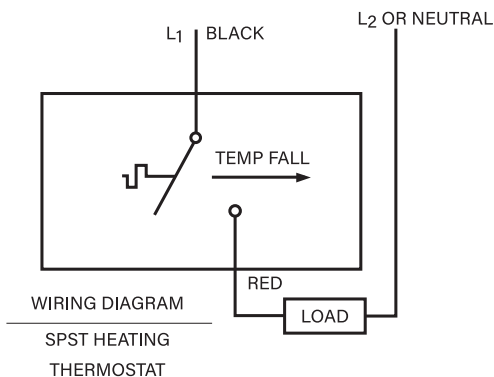
OTS-F1 SPECIFICATIONS

Enclosure:	NEMA 4X
Switch:	Single pole, single throw
Setpoint:	40°F +/- 4°F (4°C +/- 2.2°C)
Differential:	5°F (2.7°C)
Electrical Rating:	22 Amps at 120-277 VAC
Pilot Duty:	125 VA (120-277 VAC)
Exposure Limits:	-30°F to 140°F (-30°C to 60°C)
Sensor:	Fluid-filled bulb and 10' (3m) capillary.

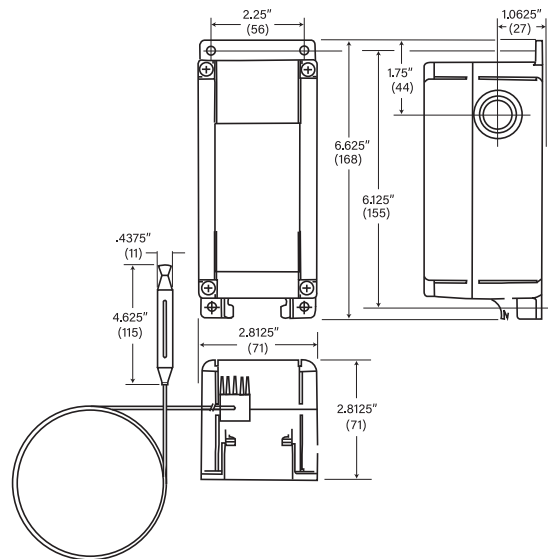


WARNING: The OTS-F1 Thermostat must be installed by a qualified electrician. All assembly, installation and test instructions must be followed. Improper installation can result in property damage, serious injury or death due to electric shock.

Please call Delta-Therm Corporation at 1-800-526-7887 with any installation or operation questions.



Detail 2. OTS-F1 Wiring Diagram.



Detail 1. OTS-F1 Enclosure dimensions in inches (mm).