

## A421ABC-2C

### Electronic Temperature Control



#### DESCRIPTION

Delta-Therm's A421ABC-2C is a single-stage, electronic temperature control with a single-pole, double-throw (SPDT) output relay. The control features an adjustable backlit LCD for viewing the sensed temperature and the status of other functions, and a 3-button touchpad for setup and adjustment.

An LED indicates the on/off status of the output relay. The control has a setpoint range of -40°F (-40°C) to 212°F. (100°C) The control operates at 120, 208 or 240 VAC.

The A421ABC-2C control has simple on/off temperature settings for heating and cooling, an adjustable anti-short cycle delay, temperature setback and sensor offset capability.

The control combines remote sensing capability and interchangeable sensors with electronic accuracy in a NEMA 1, high-impact plastic enclosure suitable for surface or DIN rail mounting.

#### APPLICATIONS

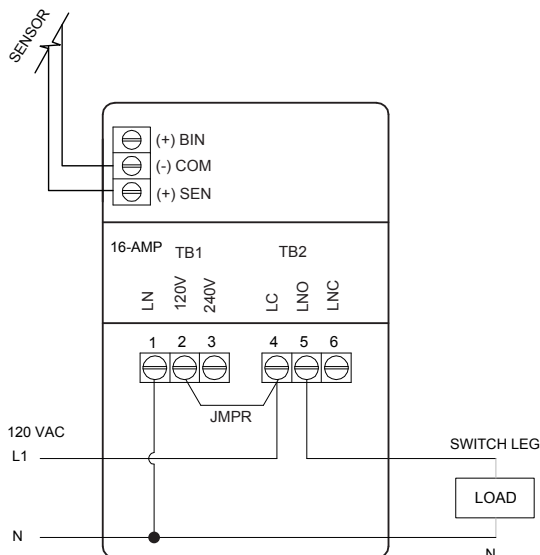
- Pipe Tracing Systems
- Permafrost Prevention Systems
- Heating and Cooling Systems

#### APPROVALS



#### A421ABC-2C SPECIFICATIONS

<b>Enclosure:</b>	NEMA 1 High Impact Gray Thermoplastic
<b>Setpoint Range:</b>	-40°F to 212°F (-40°C to 100°C)
<b>Differential Range:</b>	Settable
<b>Input Voltage:</b>	120, 208, or 240 VAC, 50/60Hz
<b>Switch:</b>	Single pole, double throw (SPDT)
<b>Electrical Rating:</b>	15 Amps at 120 VAC 10 Amps at 208 VAC 10 Amps at 240 VAC
<b>Exposure Limits:</b>	-40°F to 150°F (-40°C to 66°C)
<b>Sensor:</b>	A99BB-200C PTC Sensor with 6.5 Ft. (2m) Leads



A421-AEC-2C THERMOSTAT &  
A421-ABC-2C THERMOSTAT  
(OPEN ON RISE)