

ETK-IN

IN Series End Termination Kits

ETK-IN

(FOR 1 TERMINATION) INCLUDES:

A. 1 Heat Shrink Cap

(High Temperature Fiberglass Tape is required but not supplied)

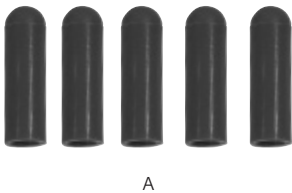


ETK-IN-5

(FOR 5 TERMINATIONS) INCLUDES:

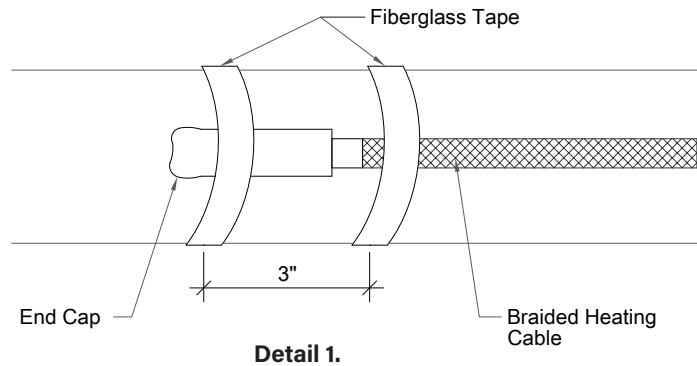
A. Heat Shrink Caps (5)

B. High Temp Fiberglass Tape



DESCRIPTION

The ETK-IN kit component allows you to make one end termination on IN Series cable. The ETK-IN5 allows you to make five end terminations on IN Series cable. Electric Connection Kits are FM Approved.



TOOLS REQUIRED

- Lineman's Pliers
- Utility Knife
- Heat Gun

TERMINATING THE CABLE

CAUTION: Do not connect Bus Wires.

1. Remove 3" of overjacket and braid.
2. Trim the end of the heating element so that one bus wire is 0.25" shorter than the other.
3. Slide the end cap over the cable end, then apply heat to shrink the cap. Heat until glue begins to flow from cap.
3. Using high temperature fiberglass tape, fasten the heating cable and end cap to the pipe (Refer to Detail 1).



When applying heat shrink sleeves, ensure that you heat the entire surface area of the sleeve so that the waterproof adhesive melts evenly and the outer jacket adheres properly to the cable. Delta-Therm recommends that you use a heat gun to accomplish this. If you must use a torch, avoid melting the outer jacket. Failure to properly heat the waterproof sleeve could allow moisture to enter the cable core resulting in arcing and possible ignition of the core. Once ignited, the core may continue to burn even after power is shut off.



This kit and the cable used with it must be installed by a qualified electrician. All assembly, installation, and test instructions must be followed. Improper installation can result in property damage, serious injury, and/or death due to electric shock and fires. Please call Delta-Therm Corporation at 1-800-526-7887 with any installation or operating questions.