

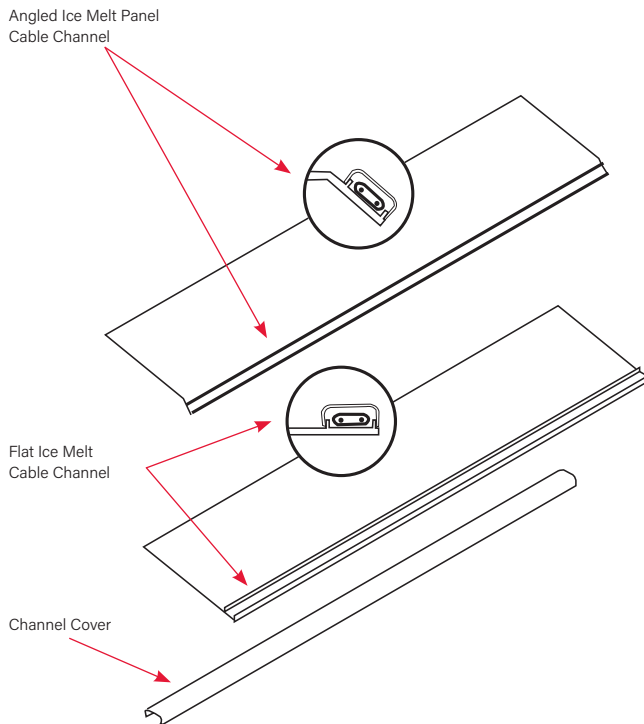
Ice Melt Panels (IMP)

Angled and Flat Ice Melt Panels



Angled IMP

Flat IMP



Detail 1. Flat and Angled Ice Melt Panels.

DESCRIPTION

The Ice Melt Panels are designed to warm the roof edge in order to prevent ice dams.

The panels can contain either the Delta-Therm CO or IN series of self-regulating roof de-icing cables.*

The Ice Melt Panels are L/W 4'/6" (1m/15cm) and are installed along the roof edge between the waterproof membrane and the shingle.

FEATURES

- Panels are made of aluminum
- De-icing cables are inserted into the cable channel
- Shingles are installed on top of the panel, only the cable channel is visible
- Panels can be painted to match the shingle color
- Panels are L/W 4'/6" (1m/15cm) with a cable channel
- Panels with a slanted cable channel mount along the roof edge
- Panels with a flat cable channel mount above the roof edge and along the inside of the valleys

ICE MELT PANELS CAN BE EFFECTIVELY USED UNDER THE FOLLOWING ROOFING MATERIALS:

- Asphalt Shingles
- Aluminum (Membrane required)
- Steel (Membrane required)
- Slate
- Tile

NOTE: If a metal roof is present, the EDGE-CUTTER channel flashing should be ordered with a 6 mil urethane membrane factory-installed directly onto the flashing to prevent galvanic oxidation between dissimilar metals.

***CO and IN Series cables are sold separately.**