



Performance Heating, LLC - Data Sheet

OMV-PA Series - Vertical Only

Thermal Fluid Heater (Coil Type)

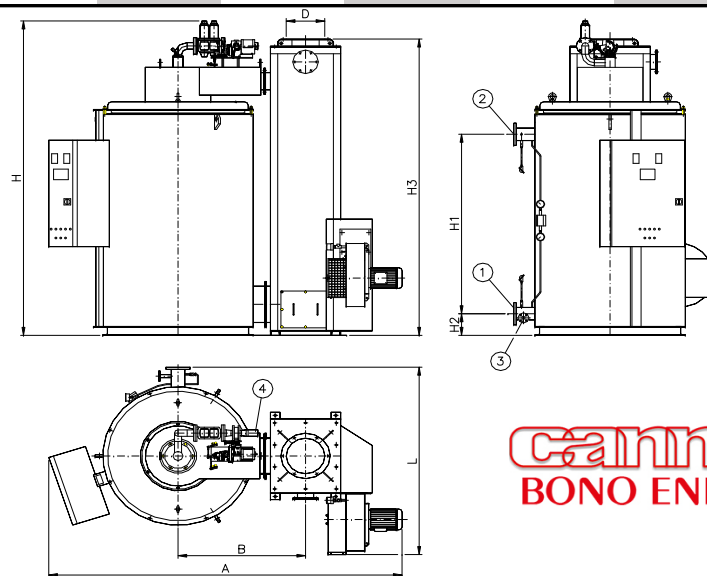
Heater Features		200	300	400	600	800	1000	1250	1500	2000	2500	3000	4000	5000
Thermal Capacity	BTU/hr					3,200,000	4,000,000	5,000,000	6,000,000	8,000,000	10,000,000	12,000,000	16,000,000	20,000,000
Efficiency (100%Load)	%					87	87	87	87	87	87	87	87	87
Efficiency (75% Load)	%					88	88	88	88	88	88	88	88	88
Temp. Differential	Δ°F					54	59.4	72	72	72	72	72	72	90
Pressure Drop	psi					16.0	20.3	10.2	16.0	11.6	21.8	21.8	29.0	29.0
Flow Rate	gpm					264	264	286	330	462	550	660	902	902
L Length	in					132	132	142	144	151	177	182	197	197
A Width	in					70	70	79	83	93	93	100	134	134
H Height	in					136	136	140	140	146	157	167	209	240
H1 Oil Inlet/Outlet (CL)	in					78	78	80	80	88	92	101	127	158
H2 Oil Inlet (Elevation)	in					12	12	10	10	10	14	14	14	14
H3 Exhaust (Elevation)	in					126	126	131	131	135	148	157	209	228
D Exhaust Diameter	in					16	16	16	16	16	19	19	21	24
Oil Inlet/Outlet Flange	in					4	4	5	5	5	6	6	6	8
Oil Content	gal					110	110	177	177	283	286	404	515	785
Weight (Empty)	lb					8140	8140	10560	10560	12980	17160	20680	36300	42900

Design Notes:

- (A) All flange connections are ANSI 300#
- (B) Standard design pressure is 145 psi
- (C) A standard burner has been used for dimensioning purposes
- (D) Multiple burner fuel options are available
- (E) Vertical orientations are available
- (F) Higher efficiency options are available (Model OMV-PA)
- (G) The OMV-PA is only available in heaters greater than the OMV 600

Additional Options:

- (A) Circulation pumps for thermal fluid heater
- (B) Motor control panel(s) for circulation pump and burner
- (C) Expansion tank(s) with our without tank tower
- (D) Inert gas blankets for the expansion tank
- (E) Drain tank(s) for above ground installation
- (F) Gear pump for system filling or draining
- (G) Skid assembly of heater and/or ancillary components
- (H) Complete packaged systems are available for easy installation
- (I) Containerized equipment is available
- (J) PLC for enhanced DCS communication



Cannon
BONO ENERGIA