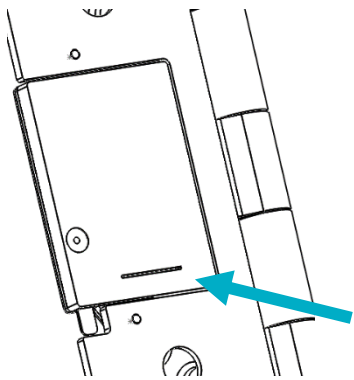


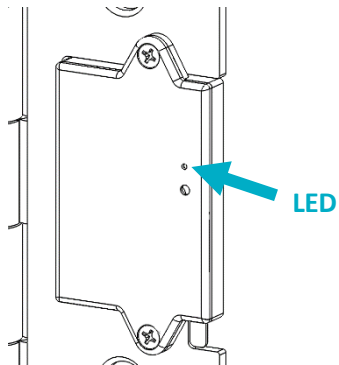
DOOR HINGE SENSOR INSTALLATION GUIDE



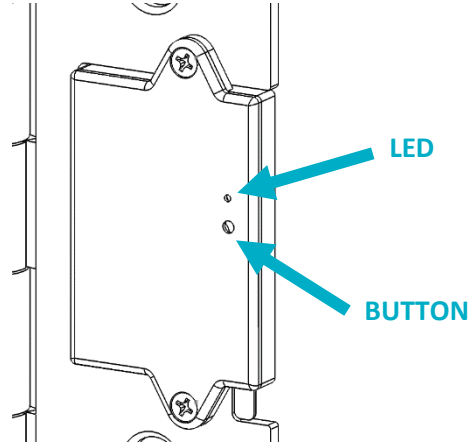
STEP 1: PULL BATTERY TAB



Pull the plastic tab from the back-side slot in the Door Hinge Sensor's wireless module. The LED Power Up sequence should be visible on the front-side of the wireless module.



STEP 2: JOIN THE NETWORK



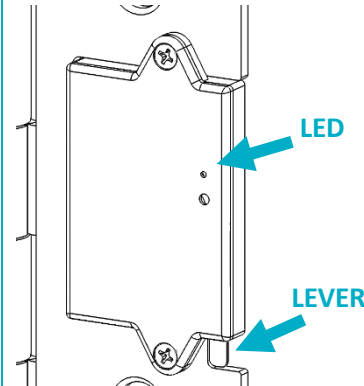
USERS

Refer to the instructions on your system's computer software, web portal or smart phone application for the proper method to join and configure the Door Hinge Sensor. The button may be pressed with the end of the supplied hex key, paper clip or a pencil. Do not use a sharp object like a tack or pin.

DEVELOPERS

Contact NYCE for our "ZigBee Device Messaging Specification" document with details on how to integrate the Door Hinge Sensor and other NYCE products to your ZigBee compliant network.

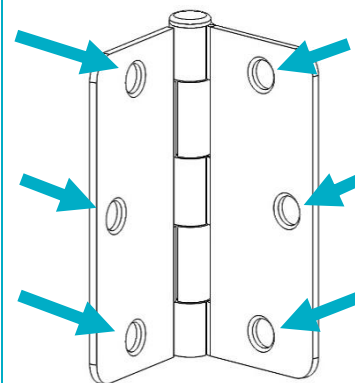
STEP 3: TEST THE INSTALL LOCATION



Test the Sensor from desired location before installation. Push and release the Contact Lever gently and insure that the icon on your web portal or smart phone application updates with a "Closed" and "Open" status. Installation on metal can reduce transmission range. Ensure that the device is installed in a dry location away from water, moisture, and rain.



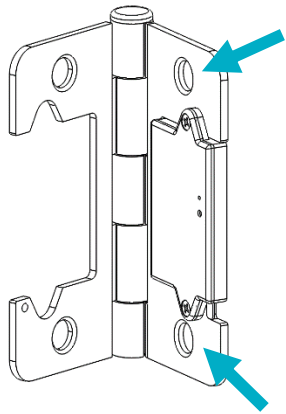
STEP 4: REMOVE THE EXISTING DOOR HINGE



For best aesthetics, install the Door Hinge Sensor in the lowest door hinge position.

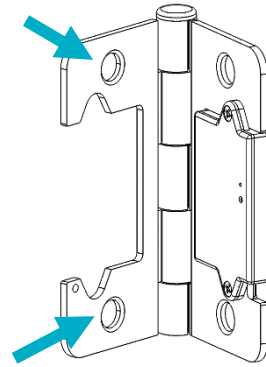
- If your existing hinge has been painted, use a utility knife to score the edges of the screws and the hinge body before removal.
- Remove the existing screws from your door hinge.
- To ensure that you do not damage your door or door frame, gently remove the existing hinge from its recesses on both door edge and door frame.

STEP 5: INSTALL ON DOOR FRAME



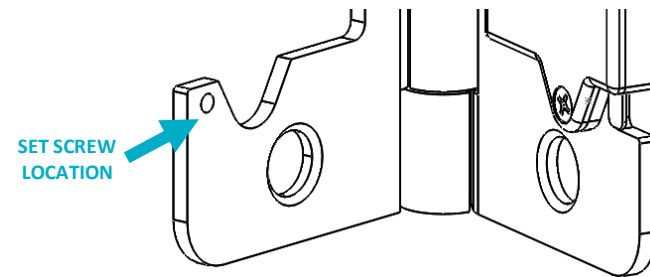
Mount the Door Hinge Sensor to the door frame, insuring that it is properly seated in the door frame recess. You may use the screws removed from the existing door hinge.

STEP 6: INSTALL ON DOOR EDGE



Mount the Door Hinge Sensor to the door edge, insuring that it is properly seated in the door edge recess. You may need to apply pressure to your door to bring it into alignment. You may use the screws removed from the existing door hinge.

STEP 7: INSTALL SET SCREW (OPTIONAL)



If the Door Hinge Sensor does not update its status as “Closed” when you close your door, then your door may not have good alignment. You will need to install one of the supplied set screws at the location shown above, opposite the Contact Lever.

The supplied set screws are of two different lengths (1/8” and 3/16”) and can simply be inserted into the set screw hole using the supplied hex key. Install the shorter set screw first, with half its length showing, and close the door to test the status update. Adjust the depth of the set screw using the supplied hex key until the status shows “Closed” just as the door latches closed. If you cannot achieve a “Closed” status, you will need to use the longer set screw.

PRODUCT FUNCTION AND LED INDICATORS

BUTTON	LED	ACTION	LED	DESCRIPTION
2 TIMES	●●	NETWORK STATUS	●●●● ●●●● ●●●●	JOINED NOT JOINED RE-JOIN IN PROCESS
4 TIMES	●●●●	NETWORK JOIN	●●●● ●●●● ●●●● ●●●●	SEARCHING FOR NETWORK DEVICE BEING CONFIGURED DEVICE JOINED DEVICE FAILED TO JOIN
8 TIMES	●●●●●●●●	FORCED RE-JOIN	●●●●	RE-JOIN, SEARCHING FOR PARENT
10 TIMES	●●●●●●●●●●	NETWORK LEAVE AND DEFAULT	●●●● ●●●●●●	LEAVE (IF JOINED) AND DEFAULTS RESTORED
		NO ACTION	● ●●●	WRONG BUTTON PRESS DEVICE BUSY
		POWER UP	●●●●●●	

