

BPDL®

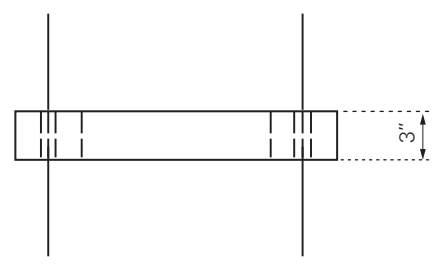
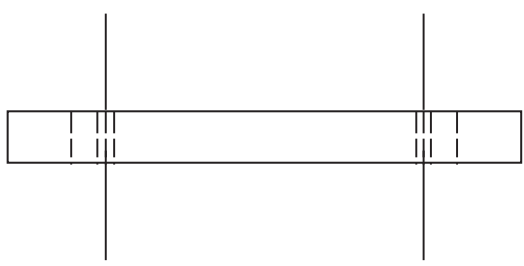
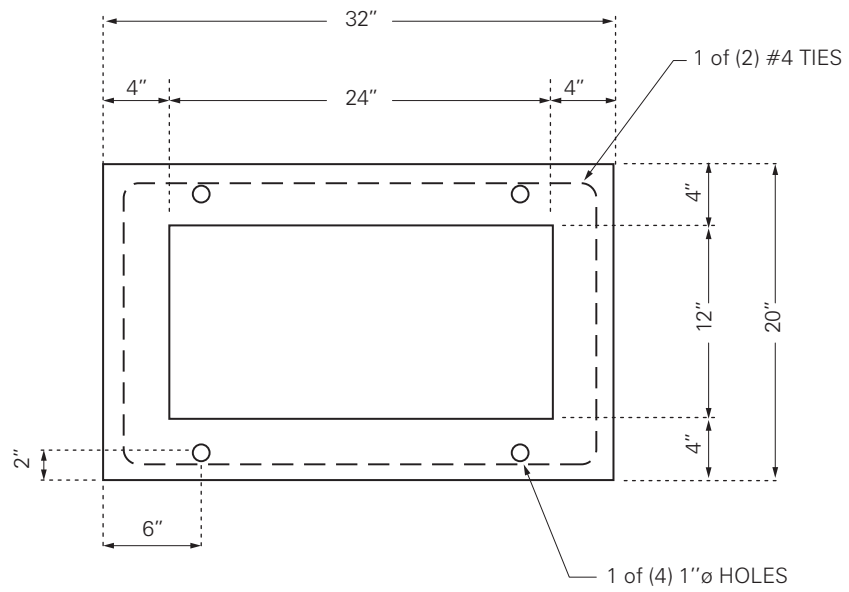
www.precastpecialtiescorp.com
www.bpd.com

T 781.878.7220 F 781.878.7464
info@precastspecialtiescorp.com
999 Adams Street, P.O. Box 86,
Abington, Massachusetts 02351



PRECAST CONCRETE 3" HANDHOLE EXTENDER

WT. = 90#



NOTES :