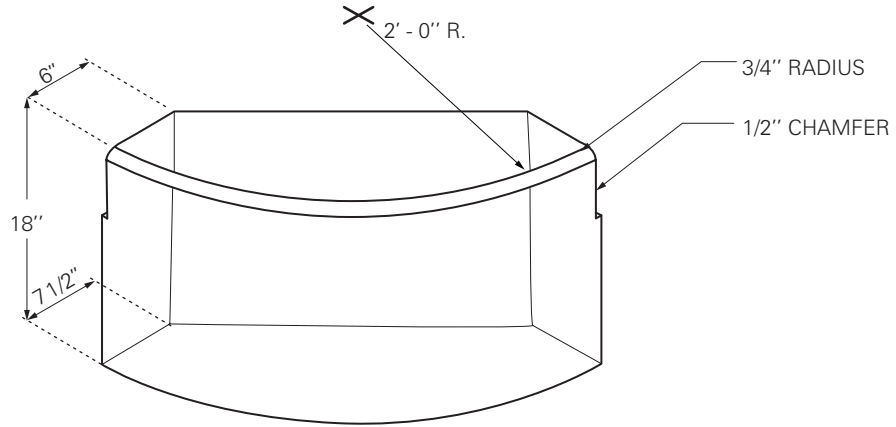
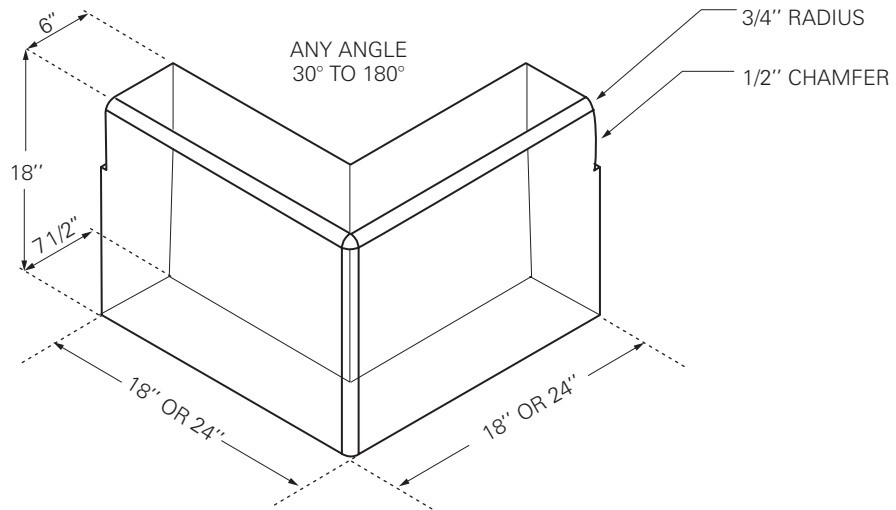


# 18" PRECAST CONCRETE CURB CORNER DETAILS



2' - 0" RADIUS CORNER



EXTERIOR & INTERIOR ANGLE CORNER

NOTES :