



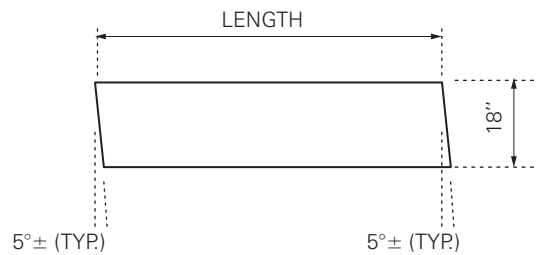
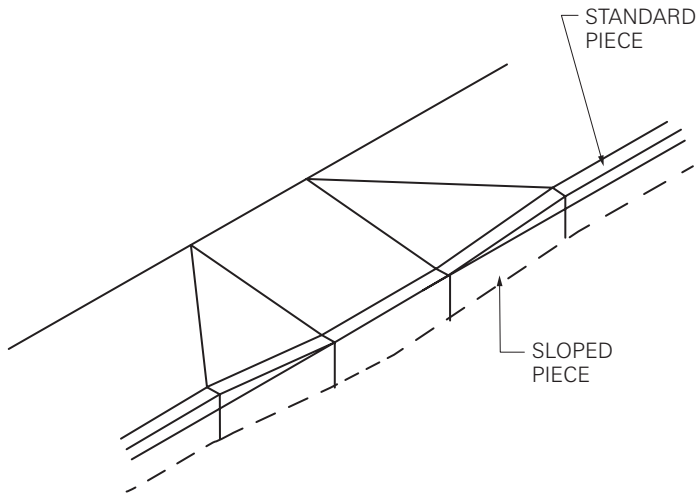
www.precastpecialtiescorp.com
www.bpd.com

T 781.878.7220 F 781.878.7464
info@precastspecialtiescorp.com
999 Adams Street, P.O. Box 86,
Abington, Massachusetts 02351



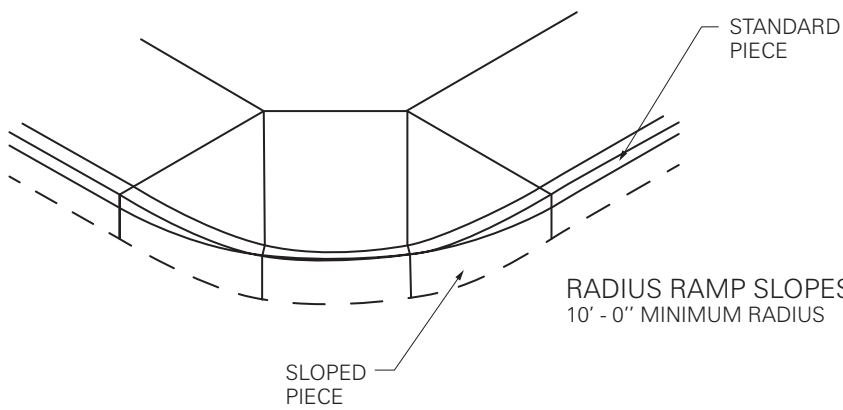
18" PRECAST CONCRETE CURB RAMP DETAILS

WT. = (VARIES)



TYPICAL ELEVATION OF SLOPED PIECE

STRAIGHT RAMP SLOPES
2' - 0", 4' - 0" AND 6' - 0" LENGTHS
AVAILABLE FROM STOCK



RADIUS RAMP SLOPES
10' - 0" MINIMUM RADIUS

NOTES :