

CG-E Series



Efficient Gas-Fired Water Boiler

- **84% AFUE**
- **70-280 MBH**
 - In 7 sizes
- **Chimney vented**
- **Integrated boiler control**
 - User-friendly
 - Energy-saving “thermal purge” feature circulates residual warm water in heating system prior to firing boiler
 - Optional 24V LWCO add-on kit
 - Optional outdoor reset add-on kit
 - Combo high limit circulator relay
- **Natural or LP gas**
- **Cast iron heat exchanger**
 - Meets the ASME Boiler and Pressure Vessel Code
- **Metal section connectors**
 - Resist chemicals, increases the life of the boiler
- **Step-opening gas valve**
 - Provides smooth & quiet start-up
- **Lifetime limited warranty**
 - See your installing contractor for more warranty information



New Yorker[®]
RESIDENTIAL HEATING BOILERS

MADE IN



U . S . A .

Ratings & Specifications



Standard Equipment

- Insulated steel jacket
- Integral draft diverter, damper and connector included
- Heavy gauge 1" base insulation
- Integrated boiler control – Simple self-diagnostic control system with LEDs for status settings and errors
- Step-opening redundant gas valve
- 130°F minimum return temperature rating
- Spark ignition with continuous retry
- User-friendly wiring with 120V J-box
- Circulator – choice of Taco or Grundfos
- Cast iron section assembly
- Resettable blocked vent switch
- Boiler drain valve
- Cast iron supply manifold with safety relief valve tapping
- Stainless steel burners

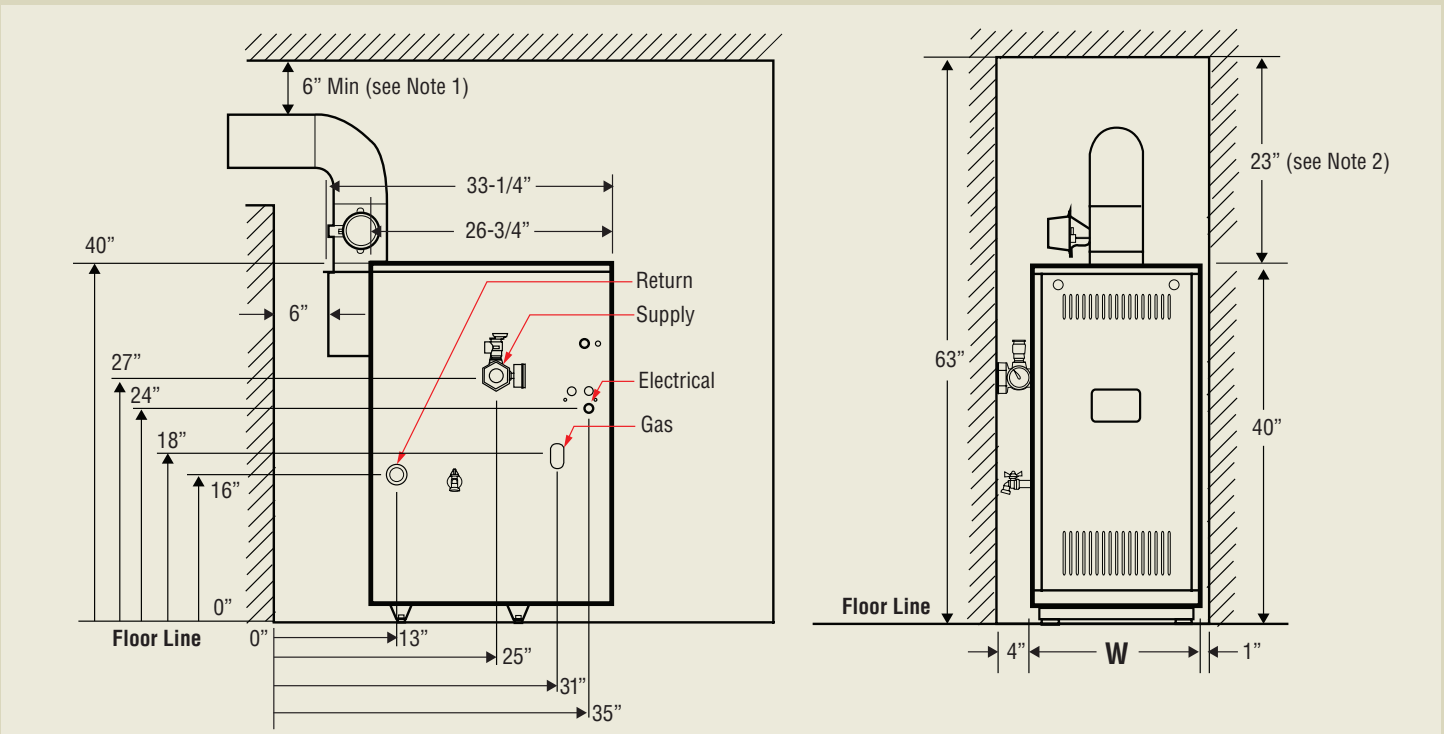
Model	Input (MBH)	DOE Heating Capacity (MBH)	Net AHRI Rating, Water (MBH)	AFUE%
CG30E	70	59	51	84.0
CG40E	105	88	77	84.0
CG50E	140	117	102	84.0
CG60E	175	146	127	84.0
CG70E	210	176	153	84.0
CG80E	245	205	178	84.0
CG90E	280	234	203	84.0

All models certified for use from sea level to 10,000 feet in elevation. Input & outputs are reduced by 4% per 1,000 feet above sea level for elevations above 2,000 ft. Boilers are shipped with 30 psi safety relief valves, MAWP is 50 psi.

Model	Dimensions (inches)							Vent Size Diameter (in.)
	Width "W"	Height	Depth (total)	Supply	Return	Gas Valve	Relief Valve	
CG30E	14	40	33-1/4	1-1/4	1-1/4	1/2	3/4	4
CG40E	16	40	33-1/4	1-1/4	1-1/4	1/2	3/4	5
CG50E	19	40	33-1/4	1-1/4	1-1/4	1/2	3/4	6
CG60E	22	40	33-1/4	1-1/4	1-1/4	1/2	3/4	6
CG70E	25	40	33-1/4	1-1/4	1-1/4	3/4	3/4	7
CG80E	28	40	33-1/4	1-1/4	1-1/4	3/4	3/4	7
CG90E	31	40	33-1/4	1-1/4	1-1/4	3/4	3/4	8

NOTES:

1. Minimal radial distance around vent pipe and breeching for single-wall metal pipe vent connector, otherwise follow vent connector manufacturer's recommended clearances.
2. Add height required to maintain 6" clearance from all vent components.



©2016 New Yorker Boiler Company, Inc., Hatfield, PA
 info@newyorkerboiler.com
 www.newyorkerboiler.com
 PL81420101003-1/16 5Ms

