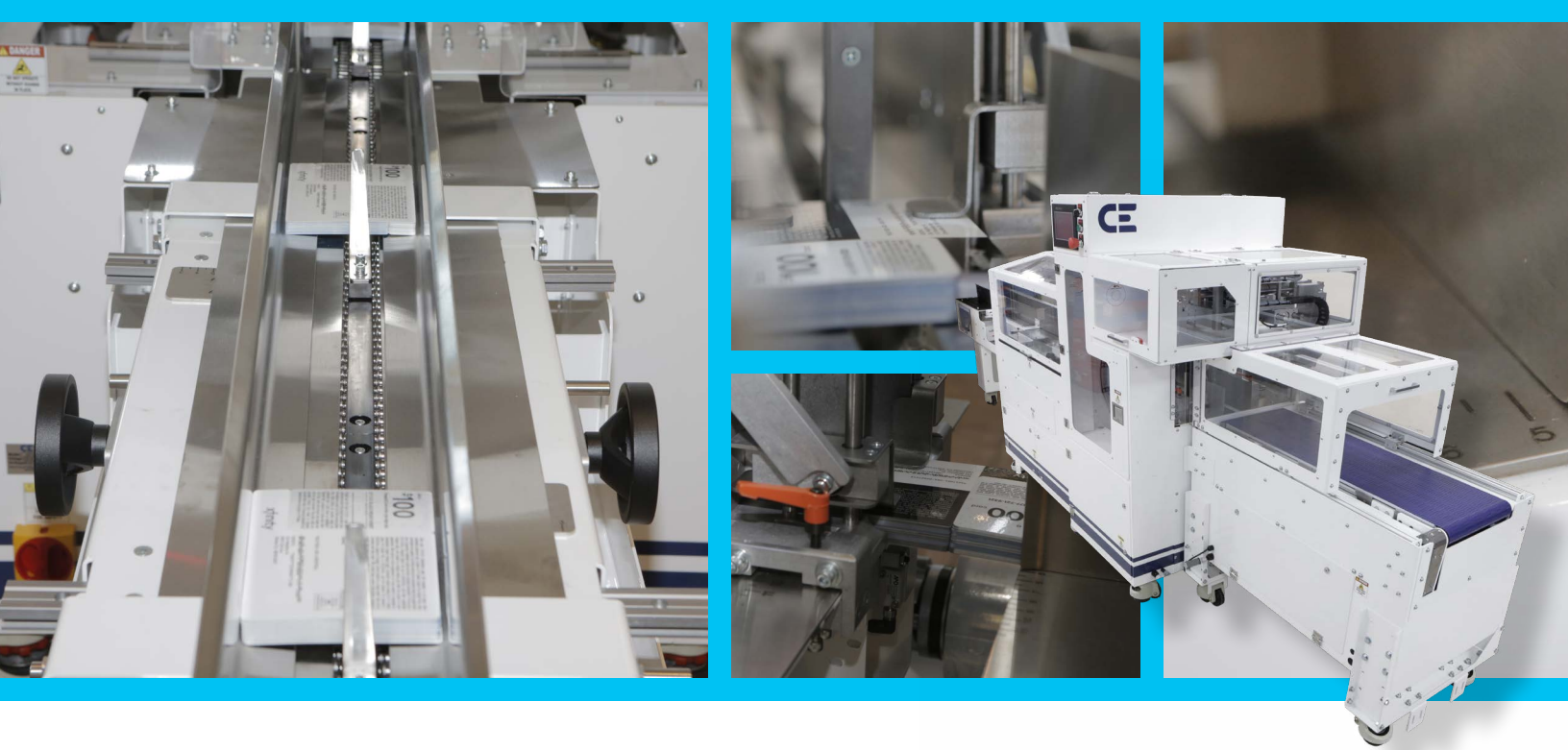


OS-1 & OS-2



Controls Engineering, a proven leader in quality banding equipment design and manufacturing, is proud to bring the OS Series to your packaging workflow.

Efficiency

This system is designed for maximum efficiency, providing automated banding for

- Batching and sequentially numbered products
- Pre-Stacked or collected product
- Manual or automated loading

The efficiency you realize can cut labor hours significantly over your run times.

Flexibility

The OS-1 & OS2 lines automatically convey product in and out using either a single or dual overhead shuttle system. The OS1 infeed shuttle moves the product into the banding position. It can be ejected after the banding cycle with conveyors or the incoming bundle.

The OS2 infeed shuttle transfers the product into the banding position and headstop. The infeed shuttle lifts and retracts for the incoming bundle. After the banding cycle, the headstop moves to eject the banded bundle.

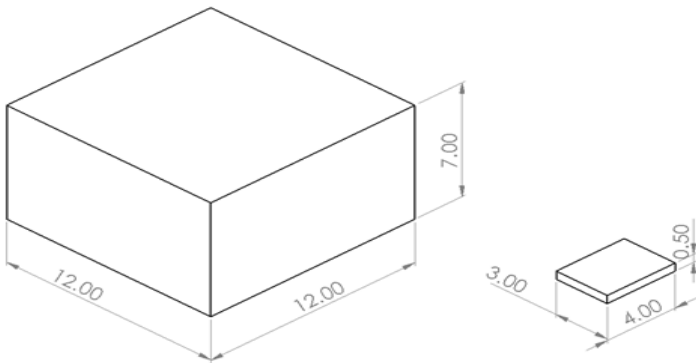
Performance

Our high-performance stretch film brings a quality solution to your packaging, is completely recyclable, and is easy to use. Count on Controls Engineering to bring you the highest bundle integrity at the lowest per bundle cost.

Product sizes:

Max. Piece Size

Min. Piece Size



Play OS1 Video

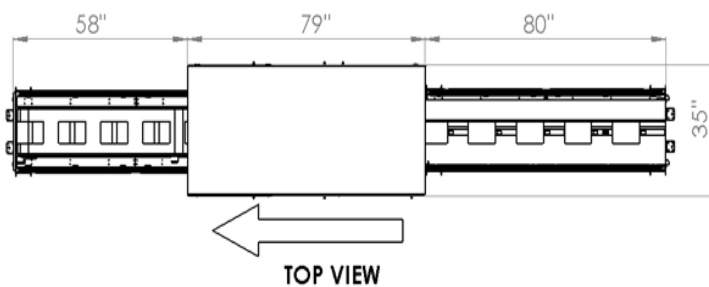


Play OS2 Video

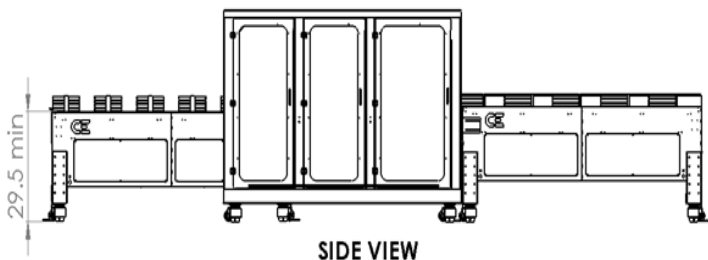
Specifications/Dimensions

Bundle width	3" – 12"*
Bundle length	4" – 11"
Bundle height	0.5" – 7"*
Electrical	220 VAC, 3 phase, 15 Amp
Compressed air	80 – 120 psi, 3 cfm max
Machine dimensions	See diagram below
Machine weight	1200 lb approx.
Film / Tape	35 mm - 72mm wide

* Consult factory for additional product size options



TOP VIEW



SIDE VIEW

Product examples



Behind better banding

Founded on lessons learned in the printing industry, Controls Engineering has spent the past 10 plus years developing a better banding system that provides secure movement of materials and packaging from point A to point B without the band breakage, package or bundle damage, or the difficulty in removal found in conventional banding materials.

CE has taken the strength, flexibility, cost savings and sustainability of stretch film and engineered banding systems that simplify the handling and application of this versatile banding material to a wide variety of bundles. CE film conforms to the shape of every bundle, making it the perfect solution for varying bundle thicknesses and dimensions.

Our solutions range from manual banding equipment to fully automated stacking and banding systems. All systems offer the speed, safety, ease of handling and operation and dependability required to deliver the highest bundle integrity at the lowest cost.

Leading manufacturers and fulfillment centers are using our systems, and we can share case studies of their successful application in the following areas:

- Contract manufacturing
- Contract packaging
- Pharmaceutical packaging
- Order fulfillment
- Print packaging and fulfillment

Controls Engineering provides complete design and manufacturing from our plant in Middleton, WI. We are able to provide the fastest design-to-build time with in-house engineering, CNC machining, fabrication, assembly and testing in one facility.



Controls Engineering

2324 Pinehurst Drive, Middleton, WI 53562 | 608-836-1164 | dan.odegard@controls-llc.com | StretchFilmBander.com