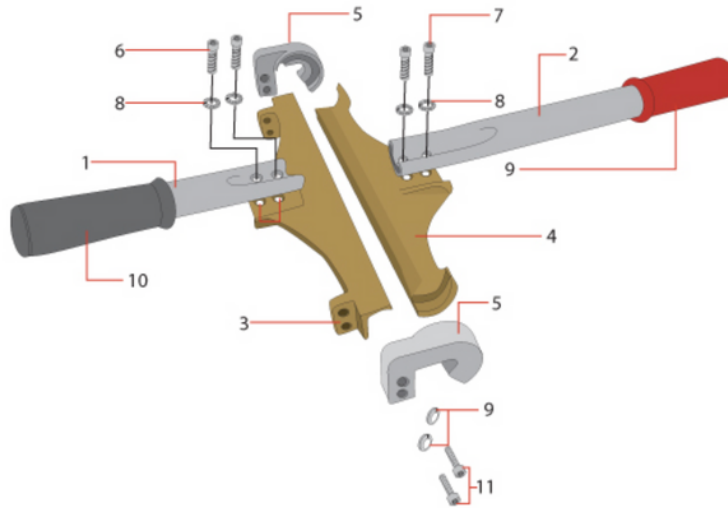
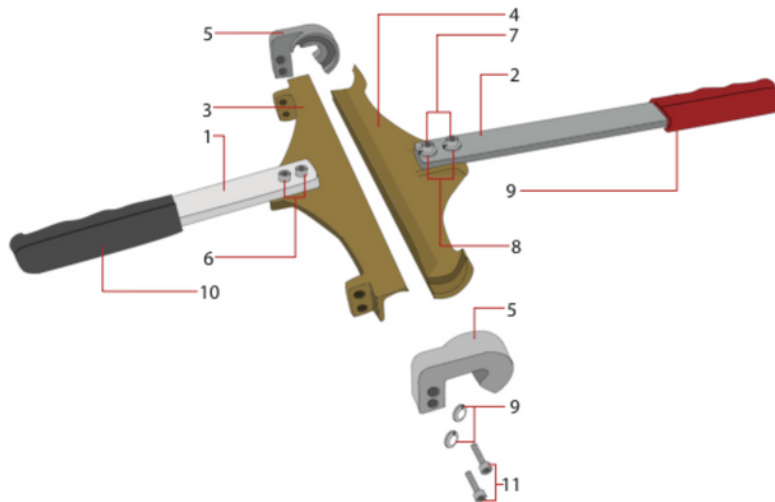


ESE 001-562C Single Lock Hand Seamer (2008 and newer)
Parts List



1	Angle Handle	001C-01
2	Pivot Handle	001C-02
3	Angle	001C-03
4	Pivot	001C-04
5	End Plate - Left	001C-05L
5	End Plate - Right	001C-05R
6	Screw - M6 x 14	001C-06
7	Screw - M6 x 16	001C-07
8	Lock Washer - 1/4"	001C-08
9	Plastic Handle - Red	001C-09
10	Plastic Handle - Black	001C-10
11	Screw - M6 x 25	001C-11

ESE 001-562C Single Lock Hand Seamer (2007 and older)
Parts List



1	Angle Handle	001C-01
2	Pivot Handle	001C-02
3	Angle	001C-03
4	Pivot	001C-04
5	End Plate - Left	001C-05L
5	End Plate - Right	001C-05R
6	Screw - M6 x 18	001C-06
7	Screw - M6 x 20	001C-07
8	Lock Washer - 1/4"	001C-08
9	Plastic Handle - Red	001C-09
10	Plastic Handle - Black	001C-10
11	Screw - M6 x 25	001C-11

Note: the newer pipe handles will also fit on the old style 001C.