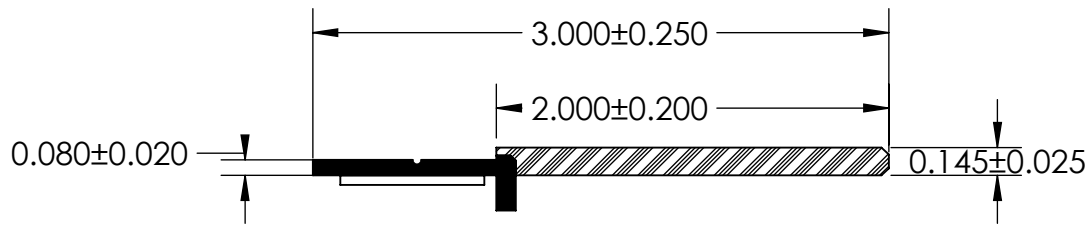
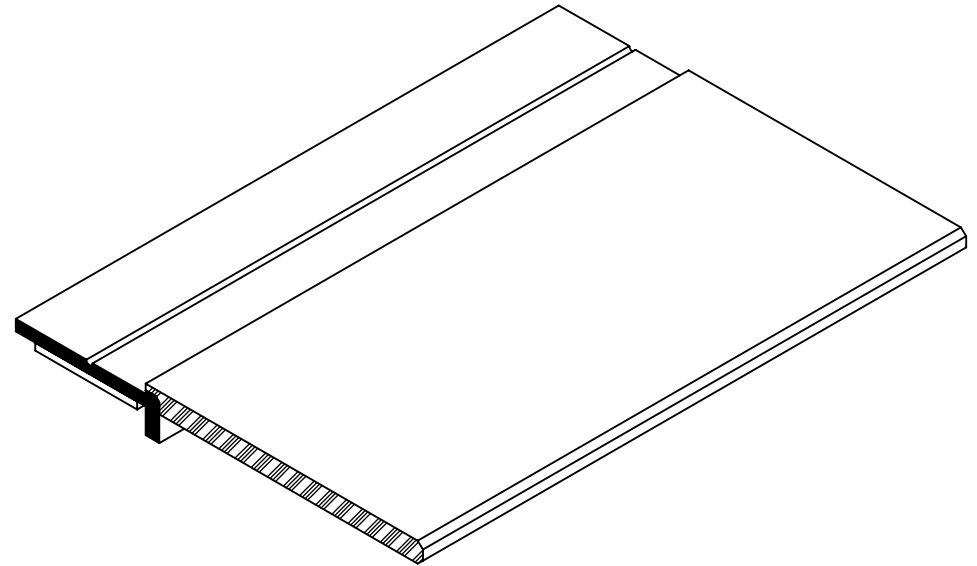


NOTES:

- 1) CLOSED CELL EPDM SPONGE RUBBER (0.700 G/CM³)
- 2) 90 DUROMETER EPDM DENSE RUBBER (1.250 G/CM³)
- 3) 5/8" ST-1200 HEAT ACTIVATED TAPE (0.013 LB/FT)



UNI-GRIP, INC.

9823 STATE ROUTE 53 N
UPPER SANDUSKY, OHIO 43351

REVISION BLOCK				PROPRIETARY AND CONFIDENTIAL:	UNLESS OTHERWISE SPECIFIED:	TITLE:		
REV.	DATE	REVIEWED BY	CHANGES MADE	THE INFORMATION CONTAINED IN THIS DRAWING IS THE SOLE PROPERTY OF UNI-GRIP, INC. ANY REPRODUCTION IN PART OR AS A WHOLE WITHOUT THE WRITTEN PERMISSION OF UNI-GRIP, INC. IS PROHIBITED.	DIMENSIONS ARE IN INCHES TOLERANCES PER ARPM CLASS 3	UNI-SEAL F		
A								
B					WEIGHT	DWG. NO.		
C					0.163 LB/FT			
D					ASTM D1056	2A4	A	UG-1-US-625-TP-003
E				ASTM D2000	3BA711 A14 B13 C12 F17	REV		
DOCUMENT CONTROL NUMBER				SCALE:		DR. BY	DATE	SHEET
UG-1-EN-001-FR-(103018)				1:1		C. VENT	6/19/2019	1 OF 1
P:\Engineering\Prints\Uni-Seal\UNI-SEAL F UG-1-US-625-TP-003								