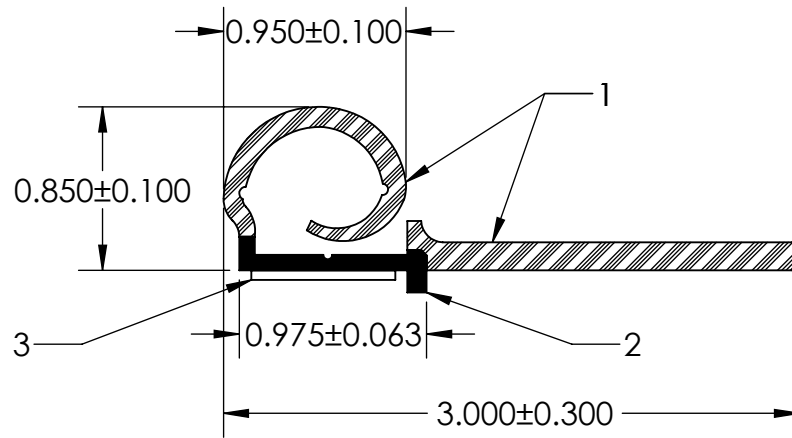
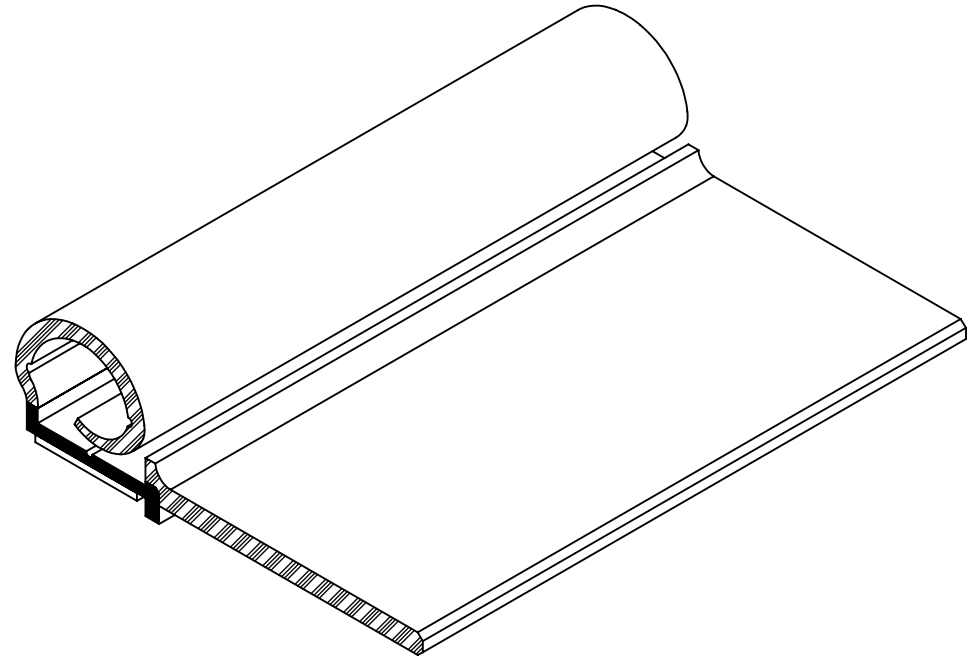


NOTES:

- 1) CLOSED CELL EPDM SPONGE RUBBER (0.750 G/CM<sup>3</sup>)
- 2) 90 DUROMETER EPDM DENSE RUBBER (1.250 G/CM<sup>3</sup>)
- 3) 3/4" ST-1200 3M HEAT ACTIVATED TAPE (0.013 LB/FT)



**UNI-GRIP, INC.**

9823 STATE ROUTE 53 N  
UPPER SANDUSKY, OHIO 43351

REVISION BLOCK				PROPRIETARY AND CONFIDENTIAL:	UNLESS OTHERWISE SPECIFIED:	TITLE:				
REV.	DATE	REVIEWED BY	CHANGES MADE	THE INFORMATION CONTAINED IN THIS DRAWING IS THE SOLE PROPERTY OF UNI-GRIP, INC. ANY REPRODUCTION IN PART OR AS A WHOLE WITHOUT THE WRITTEN PERMISSION OF UNI-GRIP, INC. IS PROHIBITED.	DIMENSIONS ARE IN INCHES TOLERANCES PER ARPM CLASS 3	UNI-SEAL				
A										
B					WEIGHT	0.194 LB/FT				
C					ASTM D1056	2A4				
D					DOCUMENT CONTROL NUMBER	ASTM D2000	SIZE	DWG. NO.	REV	
E				UG-1-EN-001-FR-(103018)	3BA711 A14 B13 C12 F17	<b>A</b>	UG-1-US-1-625-TP-001	<b>A</b>		
P:\Engineering\Prints\Uni-Seal\UNI-SEAL UG-1-US-625-TP-001				SCALE:	1:1	DR. BY	C. VENT	DATE	5/21/2019	SHEET 1 OF 1