

SUPPORT MANUAL

TESmart 8-Port HDMI KVM
Switch - Autoscan, Rackmount,
Ethernet, USB Hub, 4K 30hz

HKS0801A20

INTRODUCTION

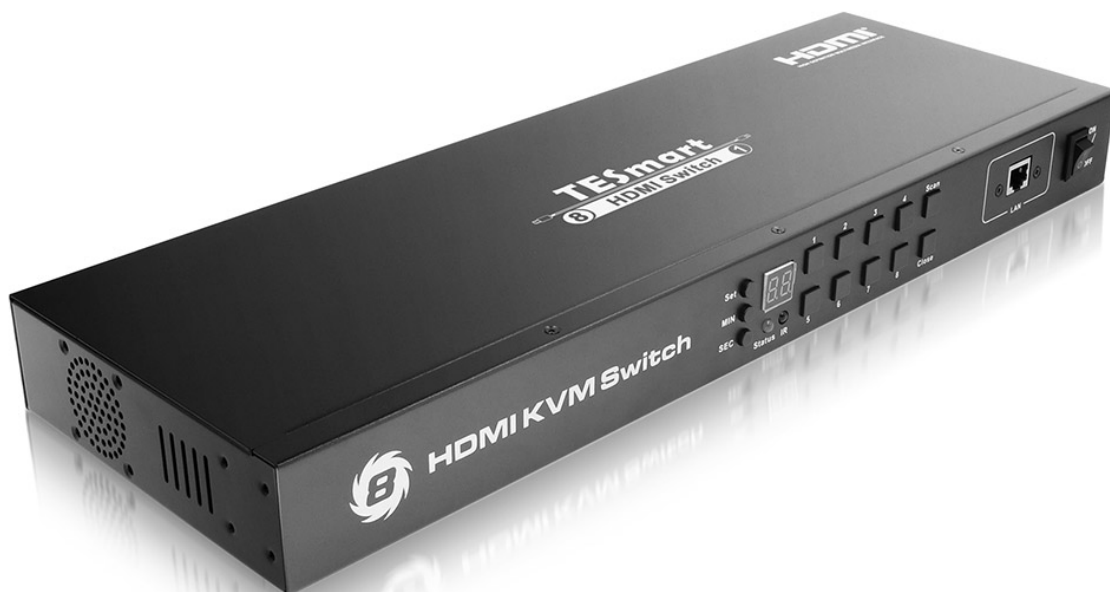
This 8x1 HDMI KVM switch provides you with great flexibility in integrating cross-platform computer equipment easily.

It makes you available to switch easily and reliably between any HDMI computers using one HDMI compliant display.

The 8x1 HDMI KVM switch supports USB 2.0 hub and USB 2.0 keyboard /mouse. By using USB 2.0 hub ports on the KVM, you even can attach USB drive, printer, barcode scanner or other USB devices to the KVM.

Switching can be controlled through variable methods, such as the front panel source selector buttons, RS232 commands, IP commands, IR signals and hot keys on keyboard.

With EDID emulators in every input ports, keep PCs always have correct display information, prevent display settings changed while switching input ports.



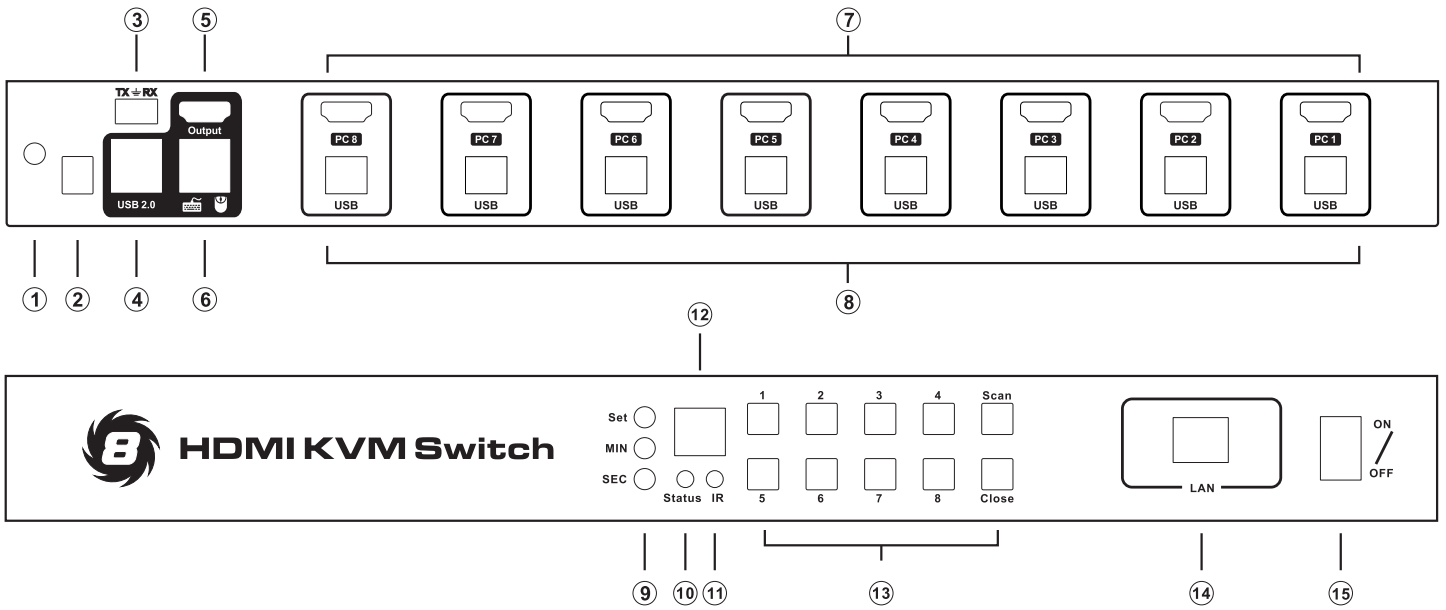
FEATURES

- Using one USB console controls 8 HDMI computers.
- Support UNIX, Windows, Debian, Ubuntu, Fedora, MAC OSX, Raspbian, Ubuntu for Raspberry Pi and other Linux based systems.
- With EDID emulators in every input ports, keep PCs always have the correct display information.
- Supports hot plug, connect or disconnect devices to the KVM switch in any time and without turning off the devices.
- Supports auto switching to monitor computers in a specified time interval.
- Supports front panel buttons, IR signals, keyboard hot keys, RS232 serial commands or IP commands to control the KVM switch.
- Available to use keyboard without any delay after switching the input sources.
- Supports resolutions up to 3840x2160 @30Hz.
- With extra standard USB 2.0 hub port, it is possible to connect barcode scanners, USB hard drives or other USB devices to the KVM easily as if you have plugged these devices directly to the computer.
- Supports DVI-D single link sources and displays with the use of HDMI-to-DIV adapters.

PACKING LIST

- 1 x 8x1 HDMI KVM Switch
- 1 x DC 12V 2A Power Adapter
- 1 x IR Remote Control
- 1 x IR Receiver Cable
- 1 x 3 Pins Connector (For RS232)
- 2 x Rack-ears
- 4 x 5' KVM Cables
- 1 x User manual

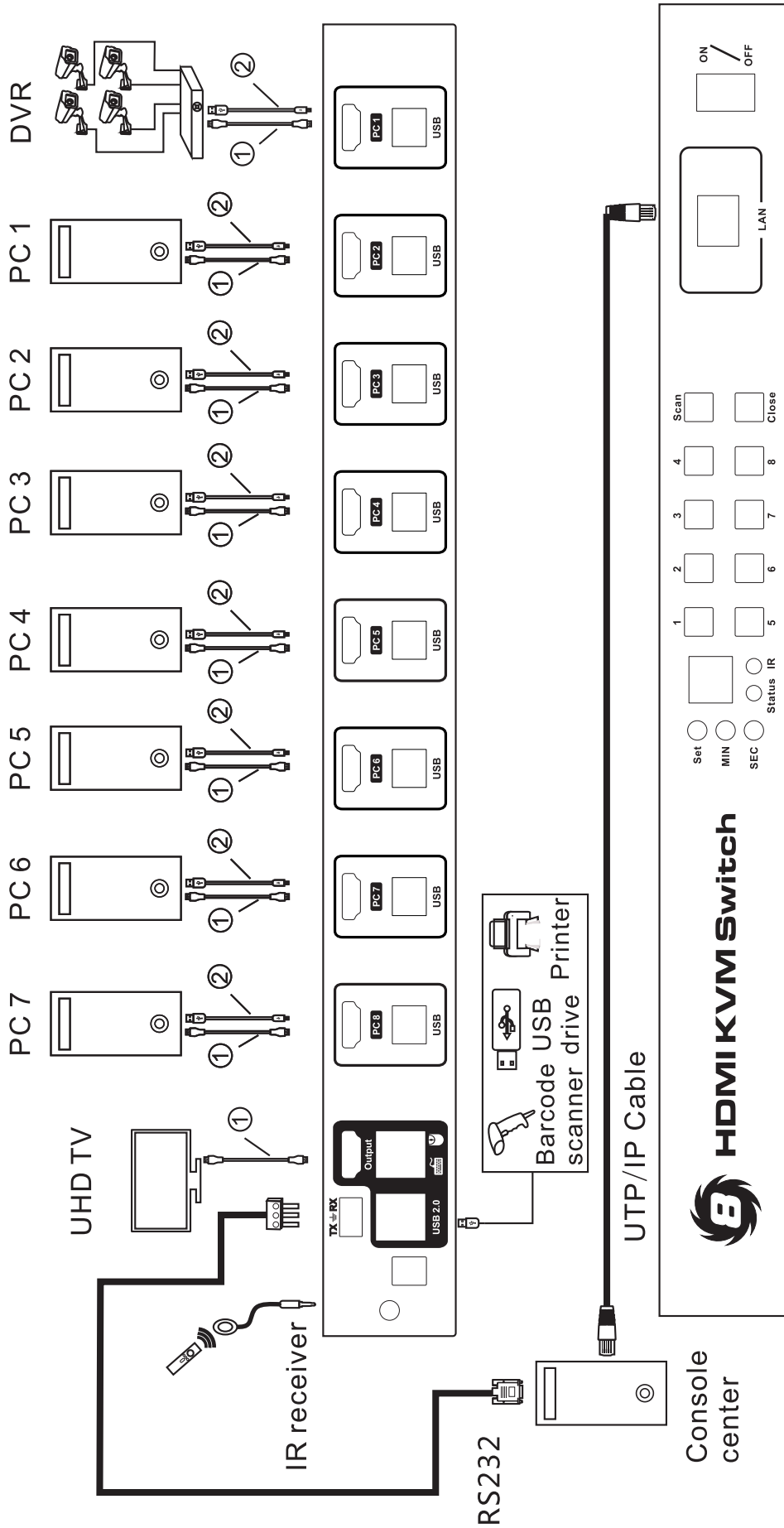
PANEL DESCRIPTION



ID	Name	Description
1	IR In	Connect IR receiver extension cable to this port, then it is able to use IR control even the KVM switch is installed in a rack.
2	DC 12V	Connect the included DC 12V power adapter to this port
3	RS232 port	Connect this port to any control termination, then it is able to select the input sources by sending RS232 commands
4	USB2.0 ports	For USB 2.0 devices, for example printers, USB hard disk, code scanner, touch pad etc
5	HDMI output	Connect to HDMI display
6	USB keyboard and mouse input	For USB keyboard and mouse input, including wireless USB keyboard and mouse
7	HDMI input ports	Connect to computers' HDMI output ports
8	USB data	Connect to computers' USB ports
9	Auto scan time interval settings	<p>[MIN]: Press button [MIN] to loop between 0~59 minutes.</p> <p>[SEC]: Press button [SEC] to loop between 0~59 seconds.</p> <p>[Set]: After setting minutes and seconds, press button [Set] to enter final scan time interval setting</p>

ID	Name	Description
10	Status LED	Red: Normal status Green: Auto scanning mode
11	IR receiver	Receive IR signal
12	LED display	Display current selected input source number
13	Keypad	[1~8]: Press these buttons to directly select input 1~8 sources. [Close]: Press this button directly will turn on or turn off the HDMI output display [Scan]: Press this button to start or stop automatically scan between input 1 to input 8. The interval time can be set by buttons [Set] , [MIN] , [SEC] as described above.
14	LAN port	Connect this port to local area network, then it is able to send TCP/IP commands to select input sources
15	Power switch	Turn on or off the power supply of the KVM switch

CONNECTION DIAGRAM



注: ① HDMI Cable
② USB type A to type B cable

SPECIFICATION

HKS0801A20	8x1 HDMI KVM Switch	
Functionality:		
Auto Scan	Yes	
Port selection	Front panel buttons	Yes
	Keyboard hotkeys	Yes
	IR remote control	Yes
	Console commands	RS232 / IP
Technical:		
Max. Resolution	3840x2160@30Hz	
HDMI version	1.4	
Auto to get EDID	Yes	
Data rate	10.2 Gbps	
Auto scan interval	5~3600 Seconds	
Beep Sound	On/Off	
OSD	No	
Supported OS	Unix/Windows/Debian /Ubuntu /Fedora /Mac OS X/ Raspbian /Ubuntu for Raspberry Pi and other Linux based system	
Console ports	Keyboard emulation	1 * USB Type A
	Mouse emulation	1 * USB Type A
	USB 2.0 Hub ports	2 * USB Type A
	Video /Audio	1 * HDMI Type A
	RS232	3 Pins jack
	LAN (TCP/IP)	1 * RJ45
	IR extension input	1 * AUX
System ports	USB Data	8 * USB Type B
	Video / Audio	8 * HDMI Type A
ESD protection	Human body model - ± 8 kV (Air-gap discharge)	
Mechanical:		
Chasing material	Metal	
Product Dimensions	440 (L) x 150 (W) x 44.5 (H) mm	
Item Weight	1800g	

BASIC OPERATIONS

1- Port selection

Use front panel keypad

Directly press button [1]-[8] to select input ports 1-8.

Use IR remote control

Press [1/A], [2/B]-[8/H] directly to select input ports 1-8.

Use keyboard hot keys

Press keyboard [Scroll Lock] key 2 times then press [1]-[8] within 2 seconds to directly select input ports 1-8.

Press keyboard [Scroll Lock] key 2 times then press [Page Up-]/[Page Down] to select previous or next port.

2- Turn on/off auto input detection and switch

Press button [M] on the remote control to turn on/off the auto input detection.

Auto input detection and switch mode on:

When plugging a new HDMI input source to the KVM switch or powering on the HDMI input source, the KVM switch will automatically select the input port that is connected to this input source.

When unplugging or powering off the HDMI input source, the KVM switch will switch to the input port which was plugged or powered last on the HDMI input source.

Auto input detection and switch mode off:

When plugging in a new HDMI input source to the KVM switch or powering on the HDMI input source, the KVM switch would not do anything, also when unplugging or powering off the HDMI input source.

BASIC OPERATIONS

3- Mute/Unmute buzzer

IR remote control

Press button [■] on the remote control to mute or unmute the buzzer.

Keyboard hot keys

Press the keyboard [Scroll Lock] key 2 times then press [F11] to mute or unmute the buzzer.

4- Turn on/off the auto scan mode

Front panel key pad

Press [Scan] button to start auto scanning, then the KVM will automatically loop among all the powered on input sources with a specified time interval, press [Scan] again to stop scanning.

IR remote control

Press [P] button to start auto scanning, then the KVM will automatically loop among all the powered on input sources with a specified time interval, press [P] again to stop scanning.

Keyboard hot keys

Press keyboard [Scroll Lock] key 2 times then press [Space] key within 2 seconds to start auto scanning, the KVM will automatically loop among all the powered on input sources with a specified time interval, press [Esc] key to stop scanning.

5- Setup time interval of auto scan mode

Press front panel button [MIN] to loop between 0-59 minutes.

Press front panel button [SEC] to loop between 0-59 seconds.

After setting the minutes and seconds, press the button [Set] to enter the final scan time interval setting.

BASIC OPERATIONS

6- The use of the mouse gesture switching

Press the keyboard [Scroll Lock] key 2 times then press [F12] key within 2 seconds to turn on or turn off the mouse gesture switching.

When the mouse gesture switching mode is on, move the mouse pointer to hit left or right bound of the screen within 1 second, the KVM will switch to previous or next input source.

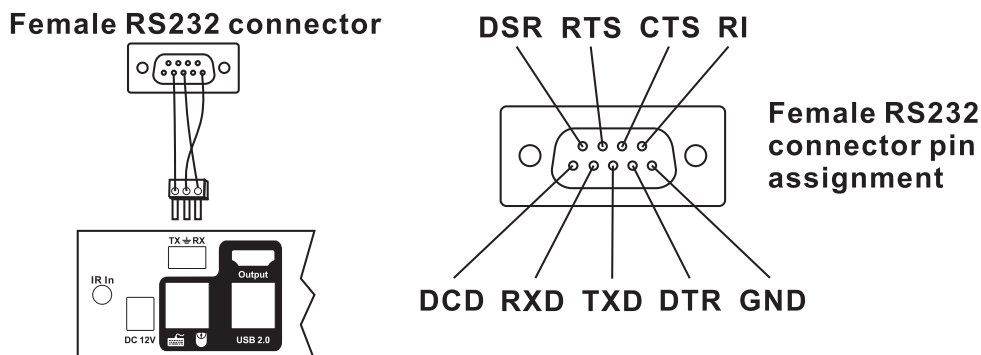
USE OF RS232 AND LAN PORT

The RS232 and LAN ports are used for selecting input source only, could not transfer keyboard and mouse data or even the video and audio, this is a redundant design for some special application when you want to switch the input sources by a termination control devices. Normally you could switch the input source by front panel keypad, IR remote control or keyboard hot keys.

For the software application packages or the API document for the RS232 and LAN port please contact with our sales. (Only for windows system)

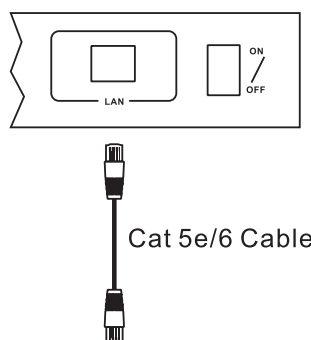
Connect RS232 port

Follow below diagram to connect the standard 9 pin RS232 port to the 3 pins connector which is included in package, then plug the connector to the KVM "TX-RX" port.



Connect LAN port

Follow below diagram to connect the LAN port to local area network router or directly to PC with Cat5e/6 UTP cable.



Connect to local area network router or directly to PC

KEYBOARD HOT KEYS

- 1- Hit SCROLL LOCK twice within 2 seconds, the buzzer will beep twice.
- 2- After step 1 enter the following Hot Key command within 3 seconds.
The KVM will execute the corresponding command.

Known issue: Apple Keyboard is not supported yet.



Previous port



Next port



Auto Switching

Note: Default auto switching time interval is 6 seconds. You are able to change this value by following the Hot Key commands.



Increase or decrease auto switching time interval.

Note: 1 second per step.



Select port by port number



Enable or disable buzzer sound



Enable or disable fast switch mode.

If fast switch mode is enabled then double hit left or right bound of the screen with mouse pointer in 1 second, KVM will switch to previous or next PC.

CONTACT

Thank you for purchasing the TESmart 4-Port KVM HDMI Video Switch.

We are here to help you!

Do you need assistance setting up your product?

Please make sure you visit:

- <https://buytesmart.com> for more details and product information
- <https://buytesmart.com/apps/help-center> for support knowledge base and Frequently Asked Questions.

A solid orange vertical bar is positioned to the left of the contact information.

BuyTESmart
<https://buytesmart.com>
contact@buytesmart.com