

PX100 SERIES

PCP - PRE CHARGED PNEUMATIC

MATCH PRO

NO LICENCE REQUIRED

PRECIHOLE SPORTS

OWNER'S MANUAL

Please Register your Air Rifle Online at www.preciholesports.com

Specifications	Match Pro
Power source	PCP
Mechanism	Side Lever Loading
Caliber	4.5 mm (0.177")
Velocity	175 mps / 575 fps
Power	7.5 joules / 5.5 ft-lb
Max. Pressure	160 bar / 2300 PSI
Weight	4 kg
Total Length	Max-1080mm / Min-1060mm
Barrel Length	580 mm
Shots Per Fill	150 Consistent Shots

Specifications	Match Pro
Barrel	12 Groove Right Hand Twist 1 in 450mm
Front Sight	Aperture Sight with Replaceable Front Element
Rear Sight	20 Clicks Rear Sight with Anti-Glare Tube Mounted on 15mm Riser Block
Safety / Dry Fire	Manual (Hammer Blocking)
Trigger	Multi Adjustable Match-Grade Trigger.
Butt / Stock	Aluminum Adjustable Ambidextrous Match Butt.

Before using this Air Rifle thoroughly read all instructions and warnings in the Manual.



Disassembly of your air rifle will void your warranty!

Tampering with the components, or unauthorized modifications and alterations may make the air rifle unsafe to use and also will invalidate the warranty and may attract legal consequences.

We strongly advise against disassembly or modifying your air rifle. The PCP air rifles are charged at very high pressure. Disassembly of air rifle while it is charged may lead to serious injuries or even death. If there is any physical damage to air cylinders the air rifle must be taken for inspection to an authorized Precihole Sports service center.

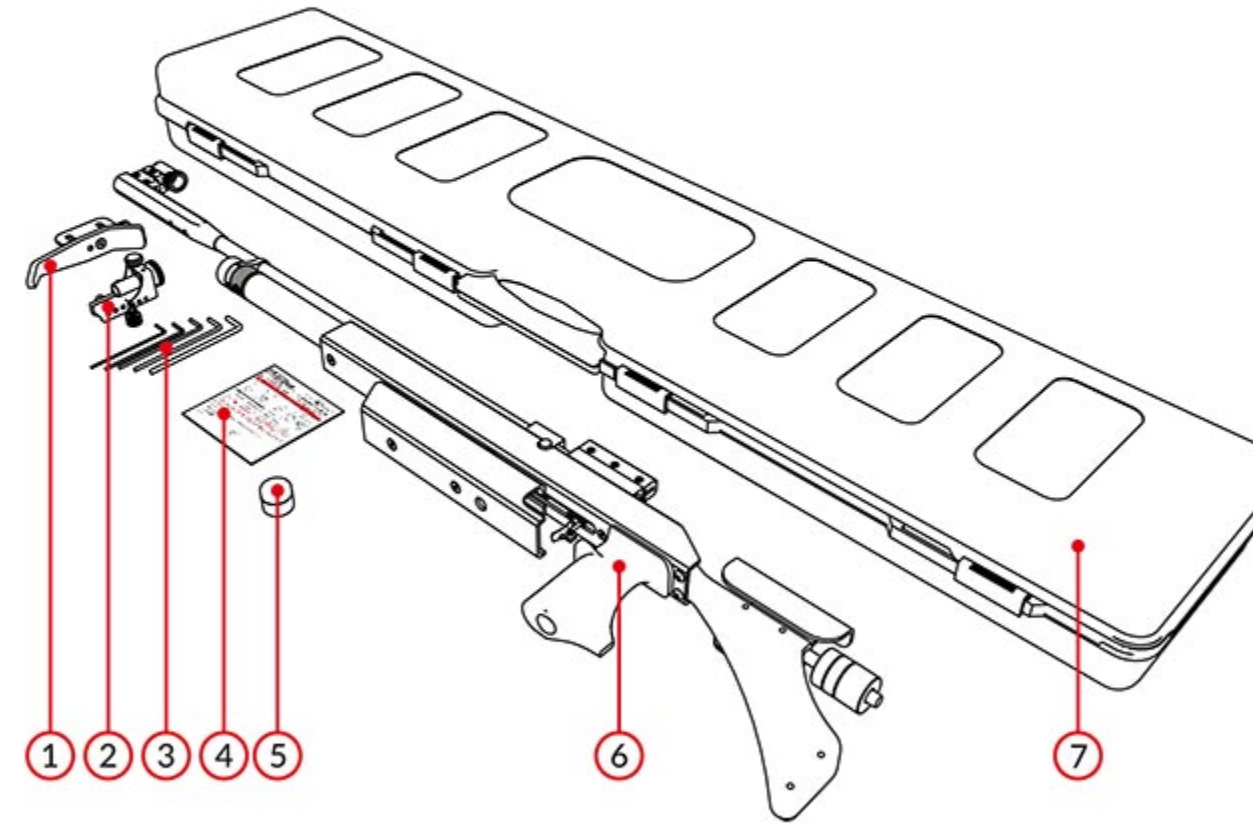
Please ensure that all the fields below are filled and it carries the inspection date and sign.

Customer Name		Inspection Sign :	
Match Pro	<input type="checkbox"/>	Date :	
Serial Number			

INSIDE THE BOX

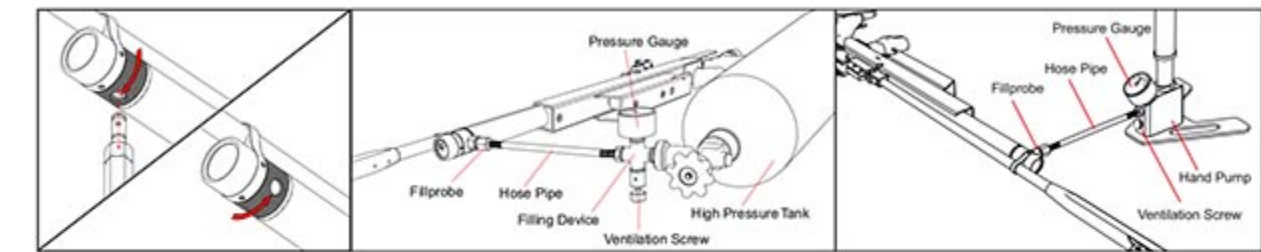
NOTE: Before operating the air rifle refer back side of the manual and learn the parts.

1. Butt Plate Assembly.
2. Aperture Sight Assembly.
3. L Allen Key Set (Sizes - 1.5, 2, 2.5, 3, 4).
4. PCP Match Pro Manual.
5. Sample Pellets.
6. PCP Match Pro Air Rifle.
7. Rifle Hard Case.



OPERATING INSTRUCTIONS

1. FILLING THE MATCH PCP AIR RIFLE



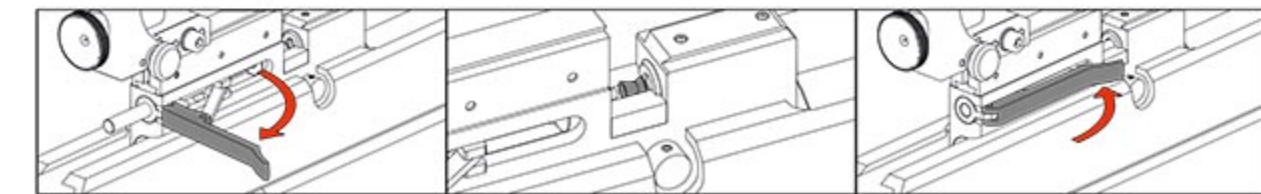
A quick fill connector comes with the rifle and is threaded with a 1/8" BSP male thread to fit the female thread of the hose pipe of the filling device or Hand pump.

Make sure that the fill probe and filler hole are clear from any dirt. Apply small amount of special grease lubricant on the o-rings to increase their life. **NOTE: use any lubricant in moderation.**

Fill probe: Rotate the dust cover to expose the fill probe hole. Insert the fill probe completely into the rifle filler hole located at the end of the air tube.

- 1 **FILLING DEVICE:** Close ventilation screw on the charging source. Charge the rifle to a Maximum level specified. (Do not over fill pressure). Always check the pressure on the charging source (filling device). Close the tap on the air bottle. Unscrew the ventilation screw on the filling device to vent the residual air in the hose pipe before removing the fill probe from the rifle.
- 2 **HAND PUMP:** When using a hand pump use the ventilation screw on the pump always. Due to continual usage the pump body will become very warm. Allow it to cool down for several minutes before continuing. As pressure increases, more force is required to pump. It is normal if you start to find it hard to pump once the pressure increases. Check the pressure on the Hand Pump gauge as they are more reliable. Do not pump beyond the maximum pressure level specified.

2. COCKING, LOADING AND LOCKING



- Pull the cocking lever / handle backward as far as possible till click of sear engaging is felt.
- Insert a pellet of appropriate caliber into the barrel breech or simply lay the pellet in the pellet tray as shown in the picture. Be careful not to squeeze or damage the pellet as this could affect accuracy.
- Close the cocking lever / handle forward till it locks in place. This chambers the pellet into the barrel. The rifle is now cocked and ready to fire.

NOTICE

- PX100 Match Pro air rifle comes with a Pellet tray, Front and Rear Aperture sights. Pressure range is between : 160bar - 70bar.
- DO NOT discharge the rifle completely i.e. do not go below the minimum specified pressure for your air rifle. This could result in leakage.
- OVERFILLING the air rifle beyond the maximum specified pressure would lead to valve lock and damage the seals. This would also result in low velocity.
- Match Pro air rifle can be dangerous up to 450m.

WARNING

- Precision air rifles, because of their design are a special class of guns having very sensitive trigger mechanisms, light trigger pulls and may fire if dropped or jarred abruptly. Careless use of an air rifle can cause serious injuries.
- PCP air rifles are designed specifically for use with dry compressed air. No other gas combination can be used.
- Ensure that you are aware of all the local laws regarding ownership of air rifle. You should always obey all the local laws.
- Anyone under 18 years of age must always be under the 'immediate supervision' of an adult experienced in operating air rifles.

SAFETY INFO

- Always keep the muzzle pointed in a safe direction. Never point it at something you don't want to shoot. Keep the muzzle pointed either upwards or downwards towards the ground.
- Make sure you note the danger distance of the air rifle i.e. how far the pellets can travel. Also ensure that your target has a safe backstop i.e. Think of what you might hit if the pellet misses or goes through the intended target.
- Always keep your finger away from the trigger and out of the trigger guard until ready to shoot.
- An air rifle has a potential of serious injury. Treat every rifle as if it were loaded. Keep it unloaded until ready to shoot. Move the safety lever to off position only when ready to shoot.
- An air rifle "Safety" is a mechanical device. Like all mechanical devices, it can fail. Never rely on an rifle's "Safety" to protect you and others from unsafe handling. A safety is not a substitute for common sense and good safety procedures.
- When removing any air rifle from storage, or when receiving it from another person, check immediately to see if it is loaded.
- Do not drink and shoot. Handling and using an air rifle requires your full and continuous attention, alertness, and unimpaired judgement.

AIR RIFLE MAINTENANCE

- Apply a thin layer of suitable grease occasionally or when dried out to the fill probe o-rings.
- To prevent rust from forming due to sweat from your hands, exterior surfaces of the barrel only should be wiped down with an oiled cloth after every use to maintain the quality of finish.
- Before you begin oiling or cleaning your rifle, always check to make sure it is unloaded.
- After a period of time, the O-rings on the fill probe will need to be replaced. The need for this will become noticeable if air is heard leaking from the fill probe or the fill probe is ejected from the port while charging the rifle. Always ensure to replace both O-rings on the fill probe.
- Store in a place that is dry and dark. Store the rifle with a pressure between 160-70 bar for Match Pro.

WARRANTY INFO

Please refer the terms and conditions, replacement & refund policy available on our website

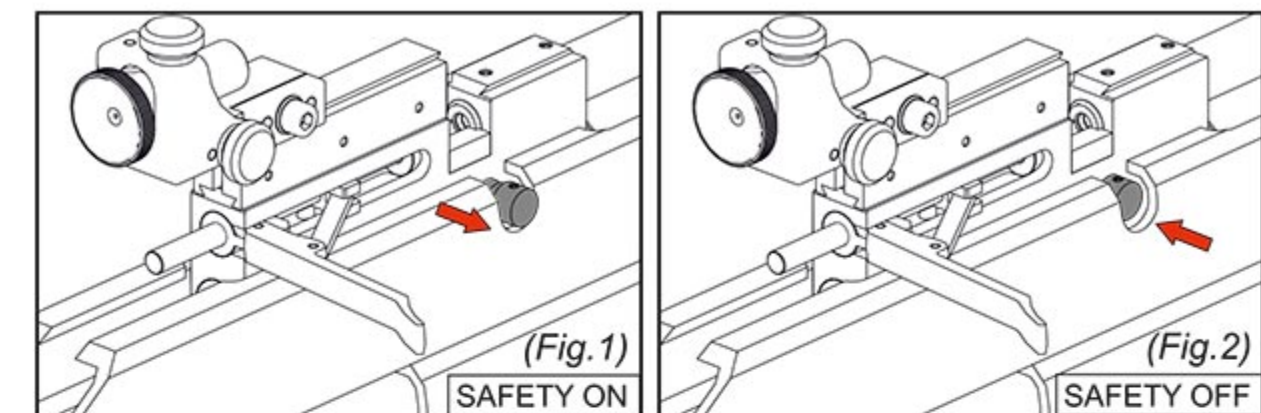
- All Precihole Sports air rifles come with 6 months carry in warranty from the date of retail purchase against faulty parts and labour; this applies to PX100 series MATCH PRO and is not transferable.
- Proof of purchase is required (Original sales receipt)
- Some items are **not covered** under the warranty:

- Normal wear and tear
- Failure due to misuse or abuse
- Fitting of non-standard parts
- Unauthorized repairs/ parts/ modifications
- Damage as a result of incorrect lubrication or over-lubrication
- Loss or theft
- Over filling pressure
- Discharging rifle below the minimum specified pressure.



- Repair Service - If your air rifle needs repair, we recommend you take or send it to your nearest Precihole Sports authorized dealer. Any disassembly or modification not performed by an authorized service station will void the warranty. All warranty work must be done by Precihole Sports or an authorized dealer of the company, and should the air rifle be collected or returned for repair purpose, the transportation charges are to be borne by the customer.

If a pellet is loaded in the rifle, rifle should be fired with the safety off. This ensures that the pellet leaves the barrel and the next pellet can be loaded. Multiple pellets stuck inside barrel are not covered under warranty.



3. AIR RIFLE SAFETY LOCK / DRY FIRE

Safety button can be set to 'ON' and 'OFF' position manually. To set the safety to 'ON', push the safety lever to the right. The rifle has to be in cocked position while moving safety from 'ON' to 'OFF' or vice versa. In this position, the hammer is blocked and the air rifle cannot fire. (Fig.1) You can use this position to do dry fire training.

To move the safety to 'OFF', push safety lever to the left after cocking the rifle. In this position, the rifle is ready to shoot (Fig.2)

CAUTION: Until you are actually ready to shoot, keep the safety in the 'ON' position (Fig.1)

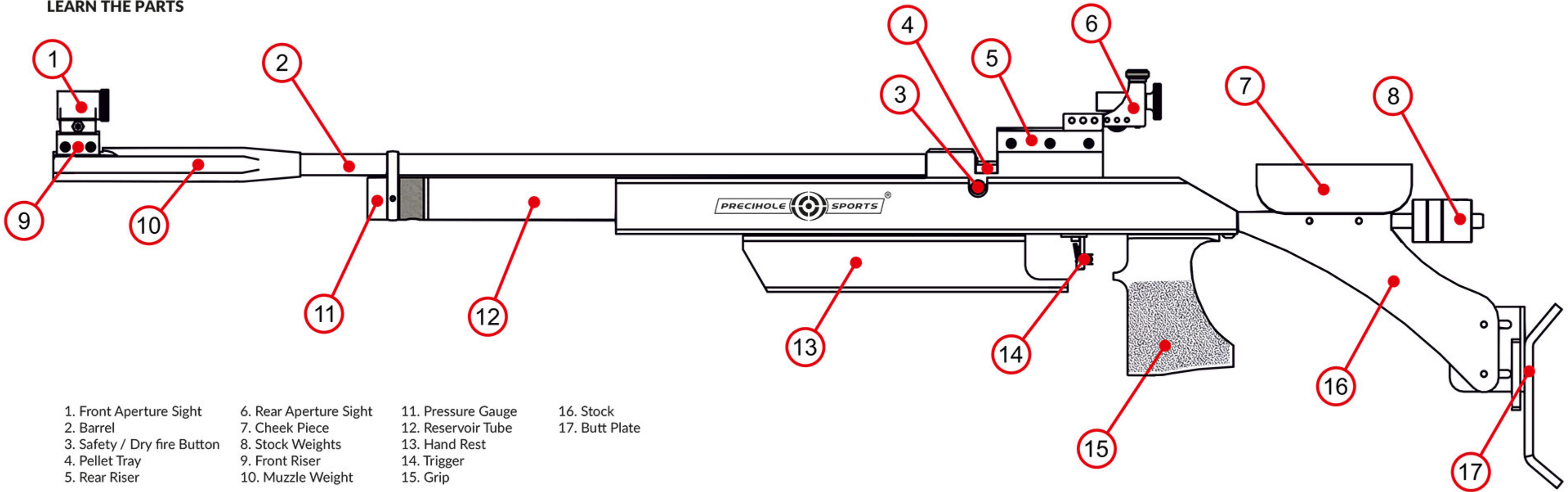


4. FIRING YOUR AIR RIFLE

Ensure the cocking handle is fully closed before firing the rifle as its performance will be affected if not fully closed. Close the cocking handle till it locks in place. Aim at your intended target and disengage the safety and prepare to shoot. Pull the trigger gently and the rifle will fire. To reload rifle, pull the cocking handle to its rear-most position and follow the section 2.(Cocking, Loading & Locking).

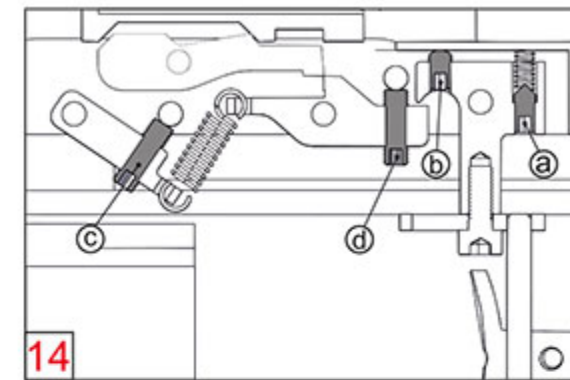
NOTE: Many factors affect the velocity, including the ammunition brand and weight, lubrication, barrel condition and temperature.

LEARN THE PARTS



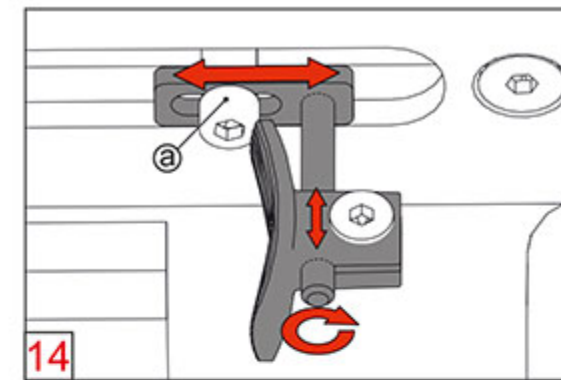
- | | | | |
|-----------------------------|------------------------|--------------------|----------------|
| 1. Front Aperture Sight | 6. Rear Aperture Sight | 11. Pressure Gauge | 16. Stock |
| 2. Barrel | 7. Cheek Piece | 12. Reservoir Tube | 17. Butt Plate |
| 3. Safety / Dry fire Button | 8. Stock Weights | 13. Hand Rest | |
| 4. Pellet Tray | 9. Front Riser | 14. Trigger | |
| 5. Rear Riser | 10. Muzzle Weight | 15. Grip | |

TRIGGER SETTING



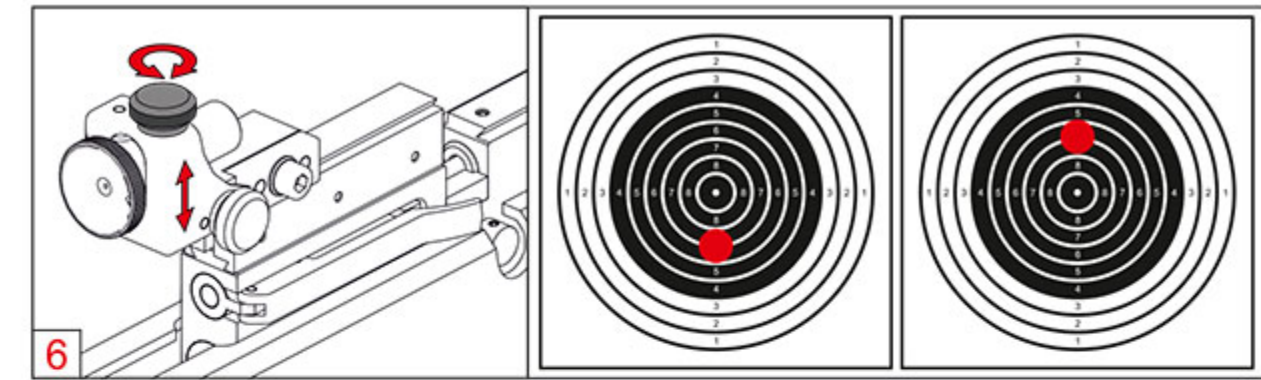
- Trigger first pull weight is increased by turning the screw **a** clockwise. Turning the screw counterclockwise produces a lower first pull weight.
- Trigger first pull length is increased by turning the screw **b** counterclockwise. Turning the screw clockwise produces a lower first pull length.
- Trigger second pull weight is increased by turning the screw **c** clockwise. Turning the screw counterclockwise produces a lower second pull weight.
- Trigger point screw **d** is factory set to the optimal setting. To be adjusted only by a trained gunsmith.

TRIGGER SHOE SETTING

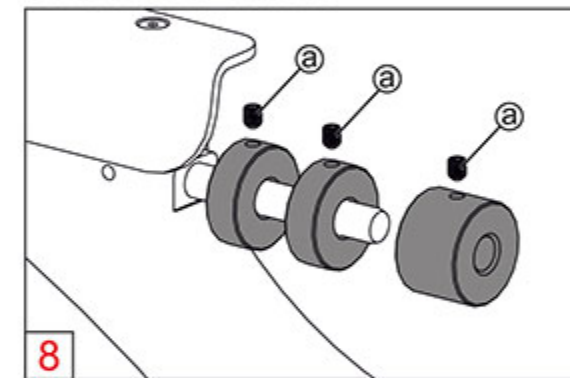


- The trigger shoe can be individually adjusted according to the shooter's requirement.
- After the screw **b** has been loosened, the trigger shoe can slide up or down on the guide and also can be rotated right and left.
- After the screw **a** has been loosened, the trigger base can be moved forward and backward.
- By fully loosening the screw **a** and turning the trigger shoe assembly by 180 degree, the length adjustment area can be further extended.

SIGHT ADJUSTMENT

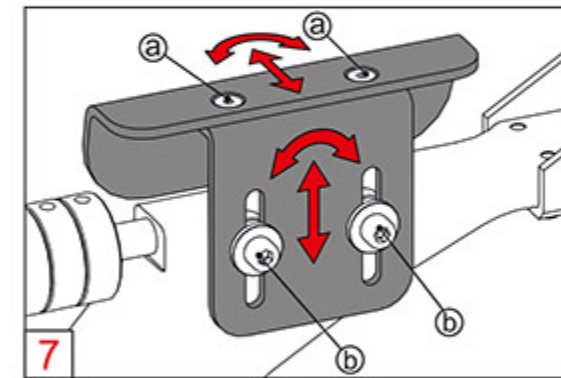


STOCK WEIGHTS

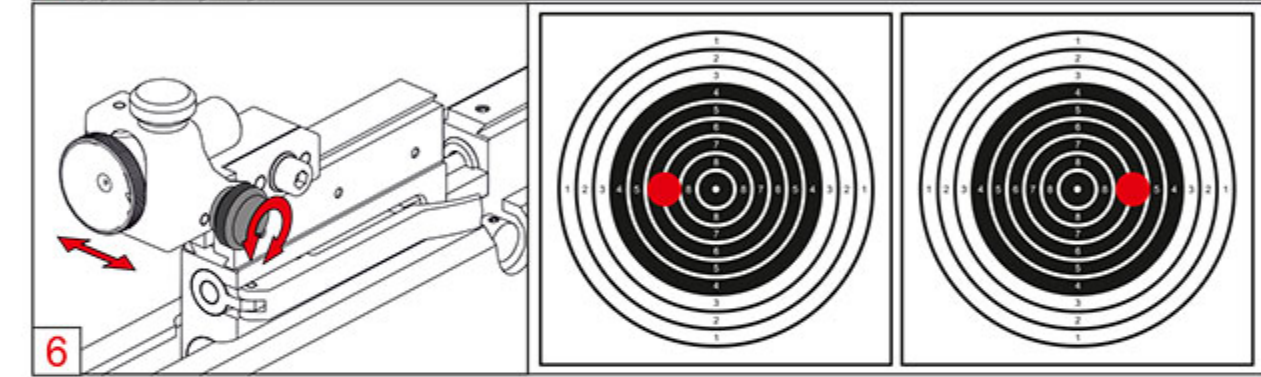


- Insert the required number of stock weights onto the rod and secure them in place by tightening screws **a**.
- By default we have provided one big weight which weighs approx. 100g and two small weights which weighs approx. 50g each.

CHEEK PIECE SETTING

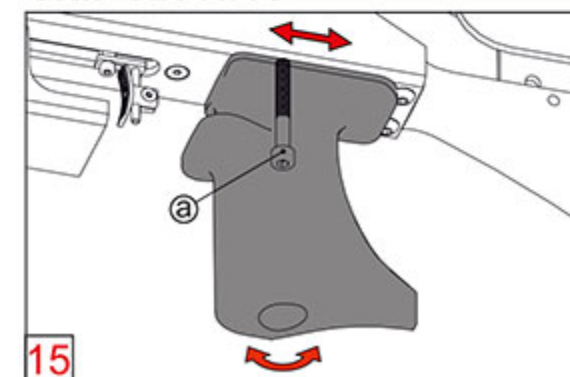


- Loosen screws **b** to adjust the height of the cheek piece and also to rotate the cheek piece slightly.
- Loosen screws **a** to adjust the cheek piece to the left or to the right and also to rotate slightly.
- To change from right to left handed shooter, remove the cheek piece, turn it 180 degree, mount it on the other side of the stock.



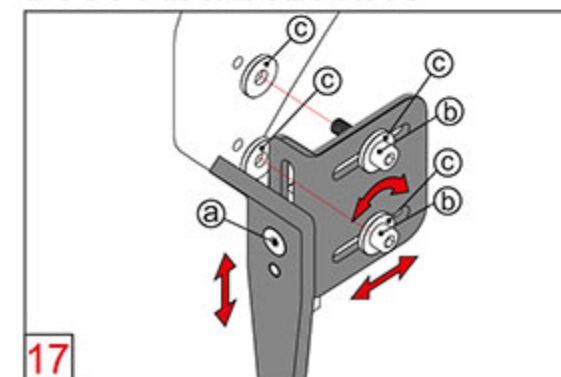
- 20 Click Precision Aperture Rear Sight:**
Elevation and windage on the Precihole Sports rear sight are controlled by micro click adjustable knobs. The shift in point of impact at 10m distance is 0.35 mm per click / 8 clicks per ring.
- If the shot impacts low, Turn the elevation knob clockwise to raise the point of impact. If it impacts high, Turn the elevation knob counter - clockwise, to lower the point of impact.
 - If the shot impacts left, Turn the windage knob counter-clockwise to move the point of impact to the right. If it impacts right, Turn the windage knob clockwise to move the point of impact to the left.

GRIP SETTING



- The grip is ambidextrous.
- Grip can be rotated as well as shifted forward and backward by loosening the screw **a**.

BUTT PLATE SETTING



- Loosen screws **a** to adjust the height of the butt plate.
- Loosen screws **b** to adjust the length of pull and also to rotate the butt plate bracket slightly.
- Left to Right displacement is provided by adding spacers **c**.

6140M021000419

PRECIHOLE SPORTS PVT. LTD.

📍 A-272, Road 16A, Opp. ESIC Hospital, Wagle Estate, Thane (W) - 400604
 ☎ +91 8879320376 / 77 | ✉ info@preciholesports.com
 🌐 www.preciholesports.com | 📺 facebook.com/preciholesports

