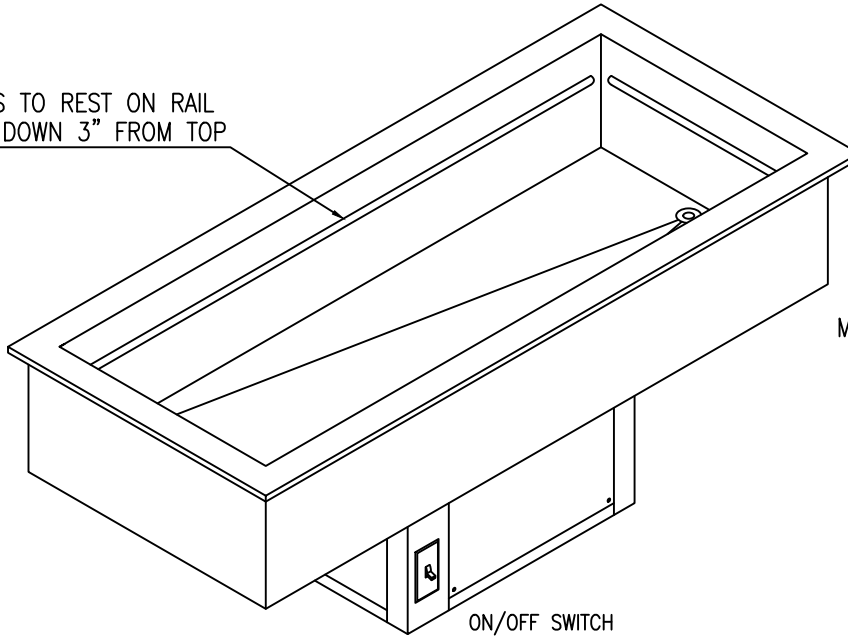


MOD-U-SERVE

DROP-IN COLD PAN 9" DEEP PAN REFRIGERATED

PANS TO REST ON RAIL
SET DOWN 3" FROM TOP



MODEL #DI-CP7-4

ON/OFF SWITCH

<u>MODEL</u>	<u>LENGTH</u>	<u>WELLS</u>	<u>HP</u>	<u>VOLTS</u>	<u>PHASE</u>	<u>AMPS</u>	<u>CORD/CAP</u>
DI-CP7-2	31.0"	2	1/4	120	1	8.0	NEMA 5-15P
DI-CP7-3	44.0"	3	1/4	120	1	8.0	NEMA 5-15P
DI-CP7-4	57.0"	4	1/4	120	1	8.0	NEMA 5-15P
DI-CP7-5	70.0"	5	1/4	120	1	8.0	NEMA 5-15P

STANDARD FEATURES

COLD PAN INTERIOR: 18 gauge stainless steel fully welded interior liner integral with top flange.
Bottom sloped to 1" stainless steel welded in drain with gate valve.

COLD PAN EXTERIOR: 18 gauge galvanized jacket over minimum 1" thick foam insulation.

REFRIGERATION: 5/16" copper side wall mounted coil with thermal mastic applied to increase surface area.
Self contained 1/4 hp 404A condensing unit with receiver and expansion valve operation.

ELECTRICAL CONNECTION: 6' cord and plug set (NEMA-15).

THERMOMETER: Unit complete with digital thermostat/controller.

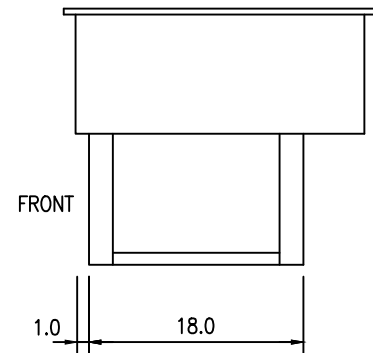
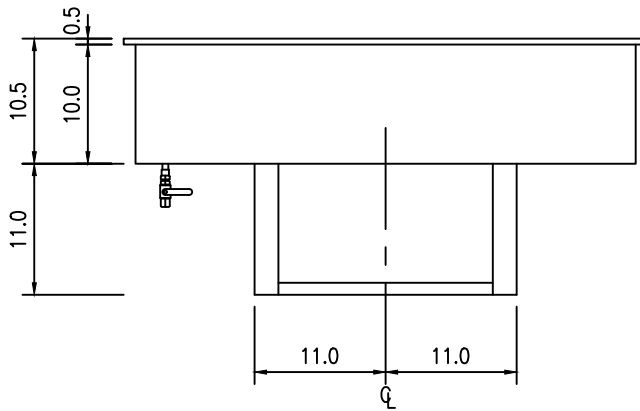
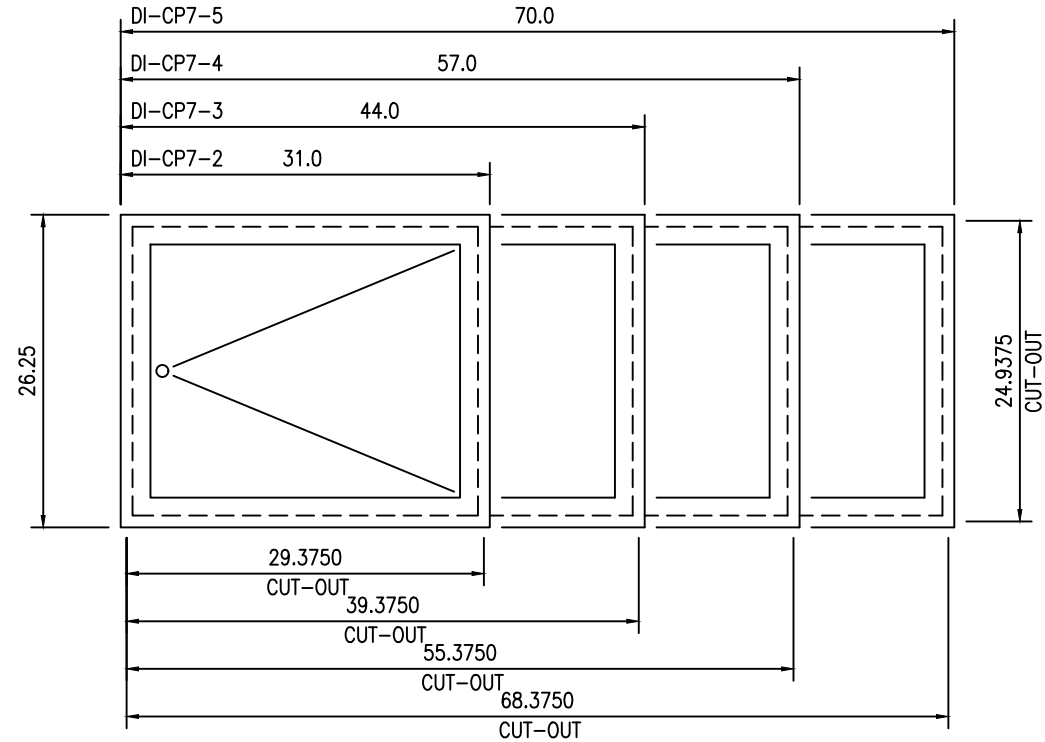
STAINLESS STEEL SPECIFICATION: All stainless steel to be type 304 with number 3 finish.

OPTIONAL FEATURES

FALSE BOTTOM: 18 gauge stainless steel 1" high perforated sectional false bottom.

MOD-U-SERVE

DROP-IN COLD PAN 9" DEEP PAN REFRIGERATED



MODEL	LENGTH O.A.	WIDTH O.A.	INSIDE DIM.	CUT OUT DIM.
DI-CP7-2	31.0"	26.25"	26.0" X 21.25"	24.9375" X 29.3750"
DI-CP7-3	44.0"	26.25"	39.0" X 21.25"	24.9375" X 39.3750"
DI-CP7-4	57.0"	26.25"	52.0" X 21.25"	24.9375" X 55.3750"
DI-CP7-5	70.0"	26.25"	65.0" X 21.25"	24.9375" X 68.3750"