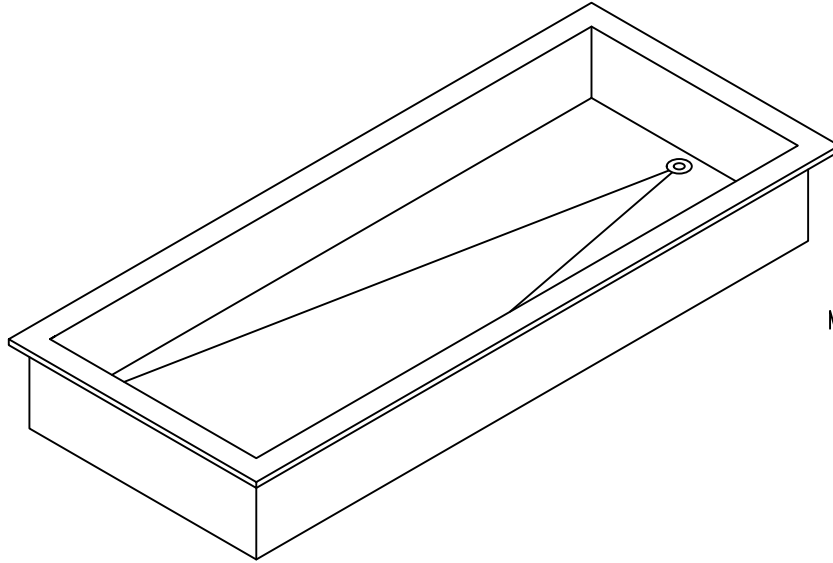


MOD-U-SERVE

DROP-IN COLD PAN NON-REFRIGERATED



MODEL #DI-CP4-NR

<u>MODEL</u>	<u>LENGTH</u>	<u>WELLS</u>
DI-CP2-NR	28.5"	2
DI-CP3-NR	42.5"	3
DI-CP4-NR	56.5"	4
DI-CP5-NR	70.5"	5
DI-CP6-NR	84.5"	6

STANDARD FEATURES

COLD PAN INTERIOR: 16 gauge stainless steel fully welded interior liner integral with top flange.
Bottom sloped to 1" stainless steel welded in drain with gate valve.

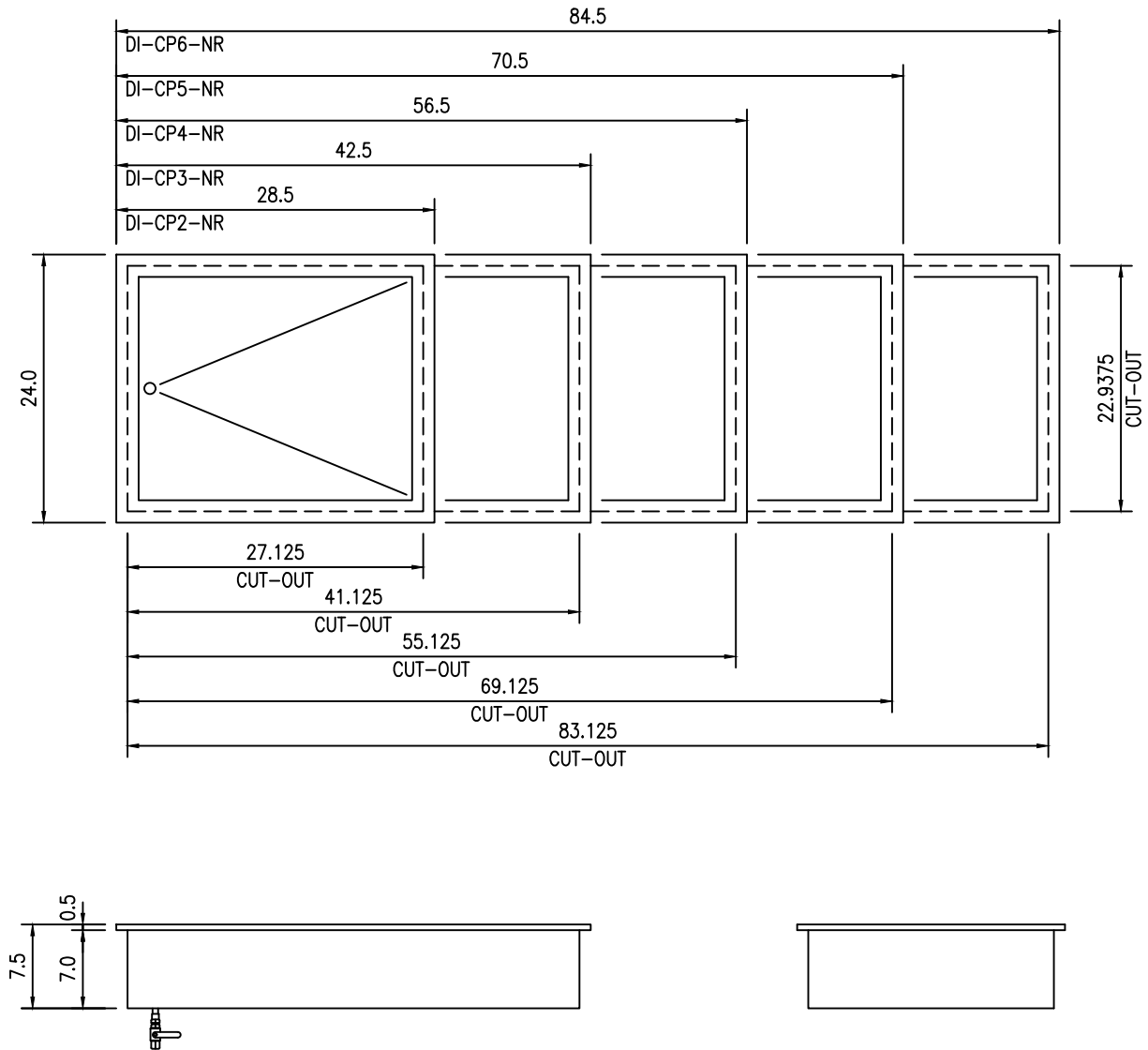
COLD PAN EXTERIOR: 18 gauge galvanized jacket over minimum 1" thick foam insulation.

OPTIONAL FEATURES

FALSE BOTTOM: 18 gauge stainless steel 1" high perforated sectional false bottom.

MOD-U-SERVE

DROP-IN COLD PAN NON-REFRIGERATED



MODEL	LENGTH O.A.	WIDTH O.A.	INSIDE DIM.	CUT OUT DIM.
DI-CP2-NR	28.5"	24.0"	24.5" X 20.0"	22.9375 X 27.125
DI-CP3-NR	42.5"	24.0"	38.5" X 20.0"	22.9375 X 41.125
DI-CP4-NR	56.5"	24.0"	52.5" X 20.0"	22.9375 X 55.125
DI-CP5-NR	70.5"	24.0"	66.5" X 20.0"	22.9375 X 69.125
DI-CP6-NR	84.5"	24.0"	80.5" X 20.0"	22.9375 X 83.125