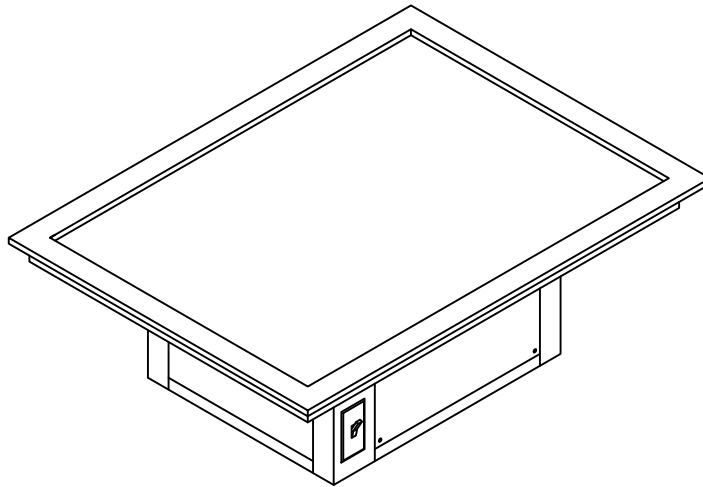


MOD-U-SERVE

DROP-IN RECESSED FROST TOP FOR 18 X 26 SHEET PANS REFRIGERATED



MODEL #DI-CFSP-2

SHOWN WITH OPTIONAL ON/OFF SWITCH

<u>MODEL</u>	<u>LENGTH</u>	<u>PANS</u>	<u>HP</u>	<u>VOLTS</u>	<u>PHASE</u>	<u>AMPS</u>	<u>CORD/CAP</u>
DI-CFSP-1	21.0"	1	1/4	120	1	8.0	NEMA 5-15P
DI-CFSP-2	39.0"	2	1/4	120	1	8.0	NEMA 5-15P
DI-CFSP-3	57.0"	3	1/4	120	1	8.0	NEMA 5-15P

STANDARD FEATURES

COLD PAN INTERIOR: 16 gauge stainless steel fully welded interior liner integral with top flange.

COLD PAN EXTERIOR: 18 gauge galvanized jacket over minimum 1" thick foam insulation.

REFRIGERATION: 3/8" copper bottom mounted coil with thermal mastic applied to increase surface area.
Self contained condensing unit with receiver and expansion valve operation.

ELECTRICAL CONNECTION: 6' cord and plug set (NEMA-15).

THERMOMETER: Unit complete with digital thermostat/controller.

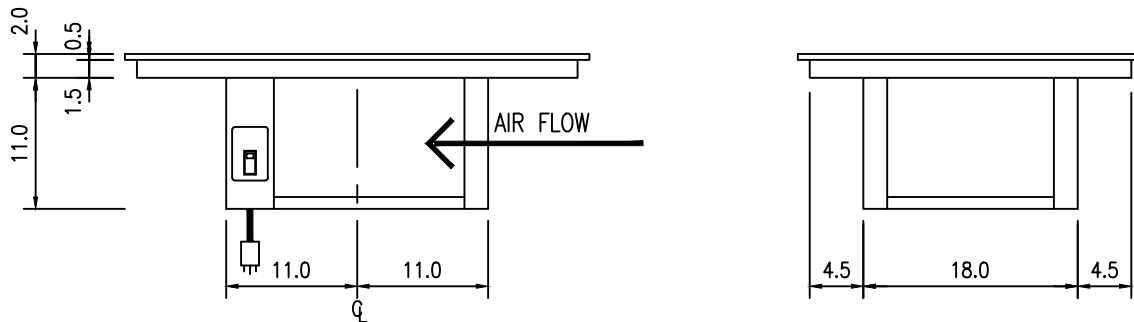
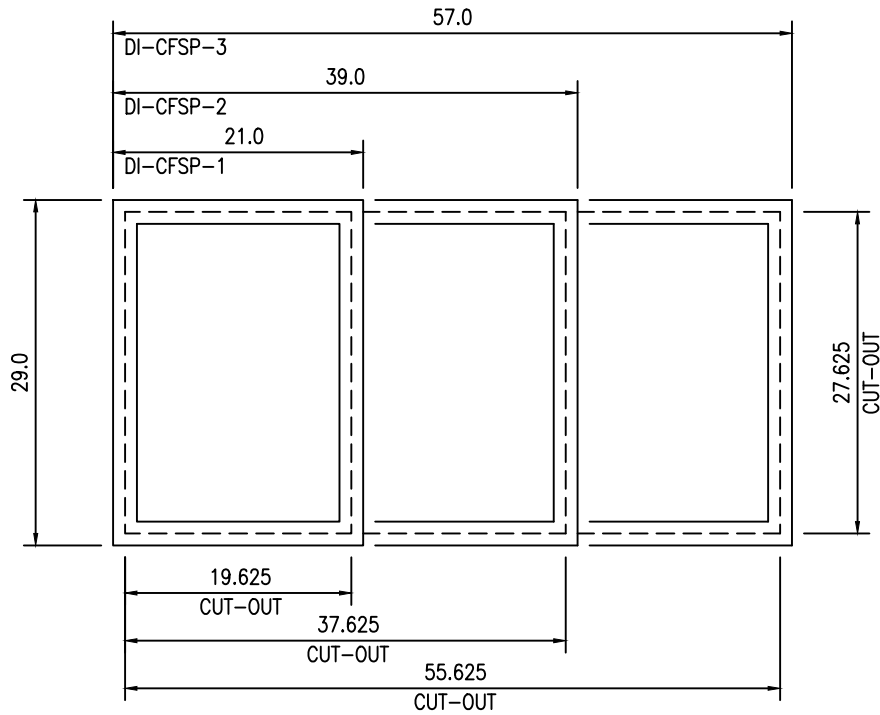
STAINLESS STEEL SPECIFICATION: All stainless steel to be type 304 with number 3 finish.

OPTIONAL FEATURES

ON/OFF TOGGLE SWITCH: Factory mounted on/off lighted toggle switch.

MOD-U-SERVE

DROP-IN RECESSED FROST TOP FOR 18 X 26 SHEET PANS REFRIGERATED



MODEL	LENGTH O.A.	WIDTH O.A.	INSIDE DIM.	CUT OUT DIM.
DI-CFSP-1	21.0"	29.0"	17.0" X 25.0"	27.625" X 19.625"
DI-CFSP-2	39.0"	29.0"	35.0" X 25.0"	27.625" X 37.625"
DI-CFSP-3	57.0"	29.0"	53.0" X 25.0"	27.625" X 55.625"