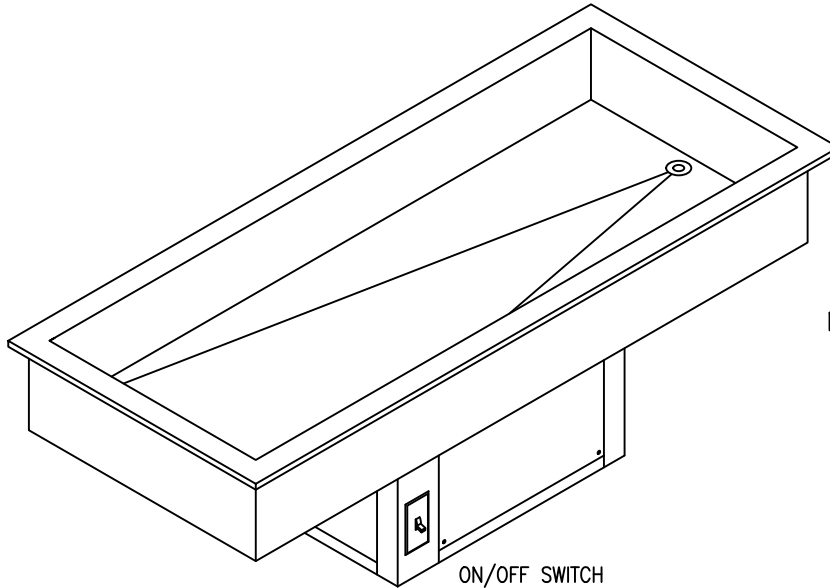


# MOD-U-SERVE

## DROP-IN COLD PAN REFRIGERATED



MODEL #DI-CP4

<u>MODEL</u>	<u>LENGTH</u>	<u>WELLS</u>	<u>HP</u>	<u>VOLTS</u>	<u>PHASE</u>	<u>AMPS</u>	<u>CORD/CAP</u>
DI-CP2	28.5"	2	1/4	120	1	8.0	NEMA 5-15P
DI-CP3	42.5"	3	1/4	120	1	8.0	NEMA 5-15P
DI-CP4	56.5"	4	1/4	120	1	8.0	NEMA 5-15P
DI-CP5	70.5"	5	1/4	120	1	8.0	NEMA 5-15P
DI-CP6	84.5"	6	1/4	120	1	8.0	NEMA 5-15P

### STANDARD FEATURES

COLD PAN INTERIOR: 16 gauge stainless steel fully welded interior liner integral with top flange.  
Bottom sloped to 1" stainless steel welded in drain with gate valve.

COLD PAN EXTERIOR: 18 gauge galvanized jacket over minimum 1" thick foam insulation.

REFRIGERATION: 3/8" copper bottom mounted coil with thermal mastic applied to increase surface area.  
Self contained 1/4 hp condensing unit with receiver and expansion valve operation.

ELECTRICAL CONNECTION: 6' cord and plug set (NEMA-15).

THERMOMETER: Unit complete with digital thermostat/controller.

STAINLESS STEEL SPECIFICATION: All stainless steel to be type 304 with number 3 finish.

### OPTIONAL FEATURES

FALSE BOTTOM: 18 gauge stainless steel 1" high perforated sectional false bottom.

ON/OFF TOGGLE SWITCH: Factory mounted on/off lighted toggle switch.

# MOD-U-SERVE

## DROP-IN COLD PAN REFRIGERATED

