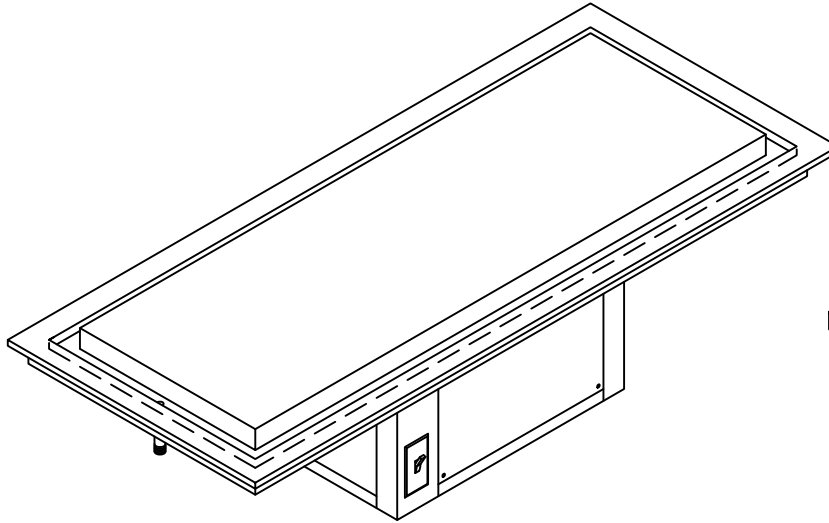


MOD-U-SERVE

DROP-IN RAISED FROST TOP REFRIGERATED



MODEL #DI-FRT4

SHOWN WITH OPTIONAL ON/OFF SWITCH

<u>MODEL</u>	<u>LENGTH</u>	<u>WELLS</u>	<u>HP</u>	<u>VOLTS</u>	<u>PHASE</u>	<u>AMPS</u>	<u>CORD/CAP</u>
DI-FRT2	29.75"	2	1/4	120	1	8.0	NEMA 5-15P
DI-FRT3	43.75"	3	1/4	120	1	8.0	NEMA 5-15P
DI-FRT4	57.75"	4	1/4	120	1	8.0	NEMA 5-15P
DI-FRT5	71.75"	5	1/3	120	1	6.0	NEMA 5-15P
DI-FRT6	85.75"	6	1/3	120	1	6.0	NEMA 5-15P

STANDARD FEATURES

RAISED COLD PAN: 16 gauge stainless steel fully welded raised top integral with 1 1/2" wide perimeter trough and top flange. Trough has 1/2" s/s nipple drain fully welded.

COLD PAN EXTERIOR: 18 gauge galvanized jacket over minimum 1" thick foam insulation.

REFRIGERATION: 3/8" copper bottom mounted coil with thermal mastic applied to increase surface area. Self contained condensing unit with receiver and expansion valve operation.

ELECTRICAL CONNECTION: 6' cord and plug set (NEMA-15).

THERMOMETER: Unit complete with digital thermostat/controller.

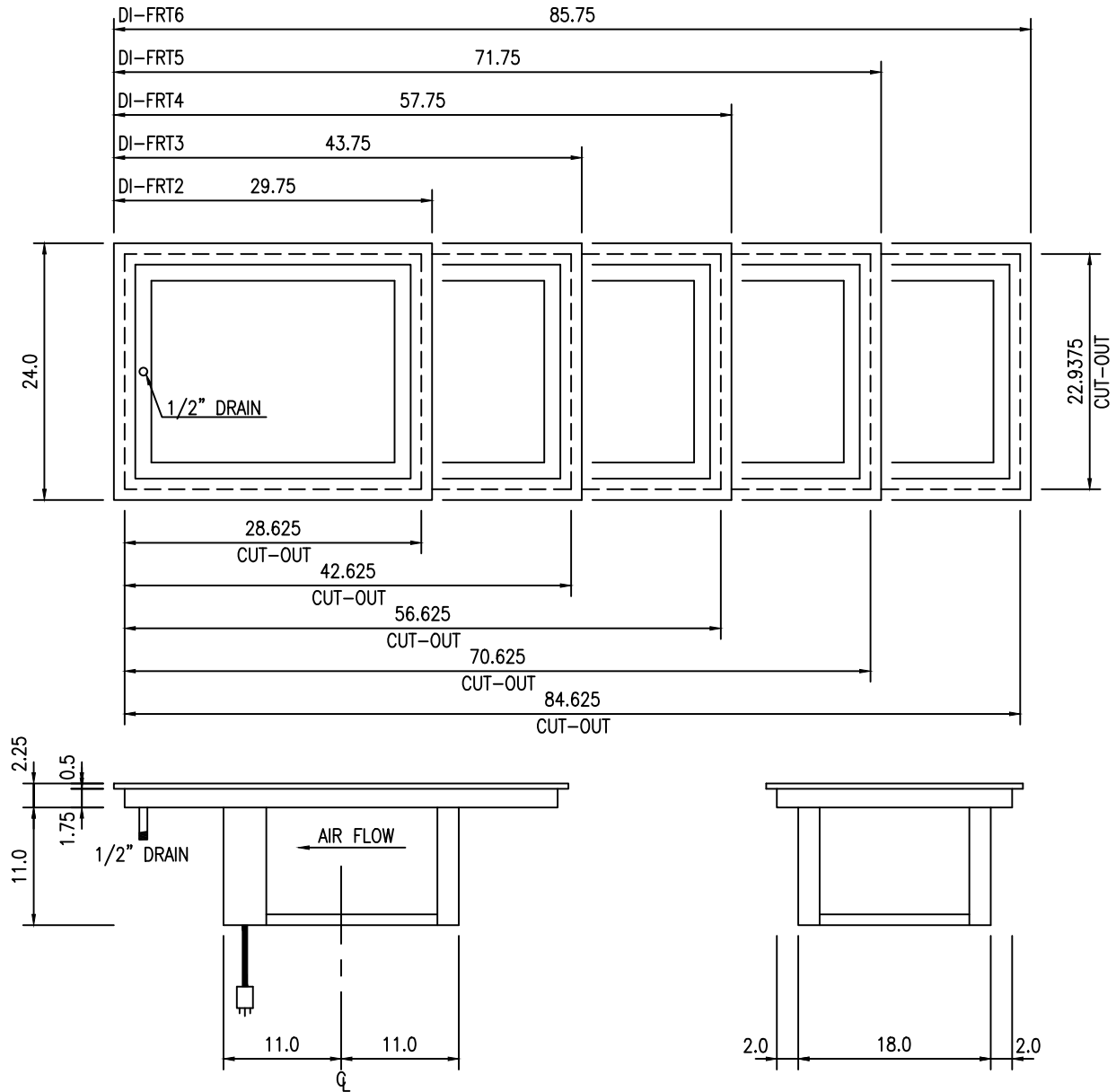
STAINLESS STEEL SPECIFICATION: All stainless steel to be type 304 with number 3 finish.

OPTIONAL FEATURES

ON/OFF TOGGLE SWITCH: Factory mounted on/off lighted toggle switch.

MOD-U-SERVE

DROP-IN RAISED FROST TOP REFRIGERATED



<u>MODEL</u>	<u>LENGTH O.A.</u>	<u>WIDTH O.A.</u>	<u>RAISED AREA</u>	<u>CUT OUT DIM.</u>
DI-FRT2	29.75"	24.0"	22.75" X 17.0"	22.9375" X 28.625"
DI-FRT3	43.75"	24.0"	36.75" X 17.0"	22.9375" X 42.625"
DI-FRT4	57.75"	24.0"	50.75" X 17.0"	22.9375" X 56.625"
DI-FRT5	71.75"	24.0"	64.75" X 17.0"	22.9375" X 70.625"
DI-FRT6	85.75"	24.0"	78.75" X 17.0"	22.9375" X 84.625"