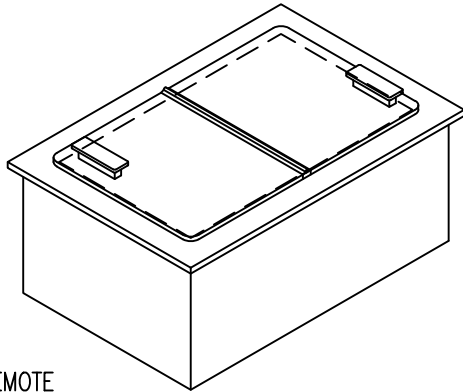


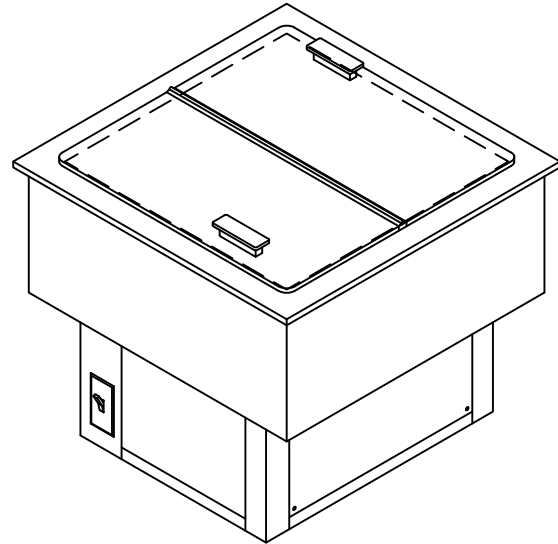
# MOD-U-SERVE

## DROP-IN ICE CREAM FREEZER



REMOTE  
COMPRESSOR

MODEL #DI-IC-1020



MODEL #DI-IC-2020

<u>MODEL</u>	<u>HP</u>	<u>VOLTS</u>	<u>PHASE</u>	<u>AMPS</u>	<u>CORD/CAP</u>
DI-IC-1020	1/3	120	1	6.0	NEMA 5-15P
DI-IC-2020	1/3	120	1	6.0	NEMA 5-15P

### STANDARD FEATURES

- COLD PAN INTERIOR: 16 gauge stainless steel fully welded interior liner integral with top flange.  
Bottom sloped to 1" stainless steel welded in drain with gate valve.
- COLD PAN EXTERIOR: 18 gauge galvanized jacket over minimum 1" thick foam insulation.
- REFRIGERATION: 3/8" copper bottom mounted coil with thermal mastic applied to increase surface area.  
Self contained 1/4 hp condensing unit with receiver and expansion valve operation.
- ELECTRICAL CONNECTION: 6' cord and plug set (NEMA-15).
- THERMOMETER: Unit complete with digital thermostat/controller.
- STAINLESS STEEL SPECIFICATION: All stainless steel to be type 304 with number 3 finish.

### INSTALLATION REQUIREMENTS

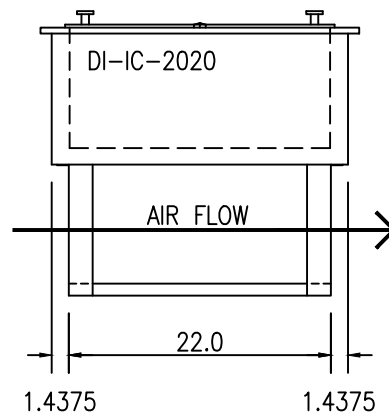
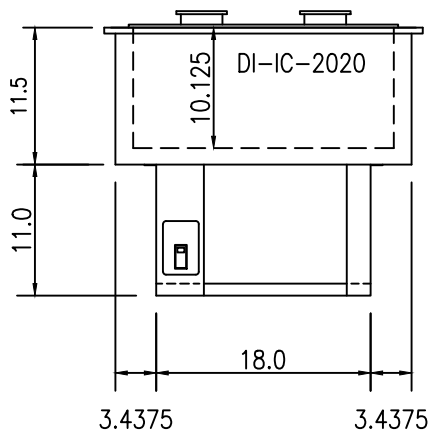
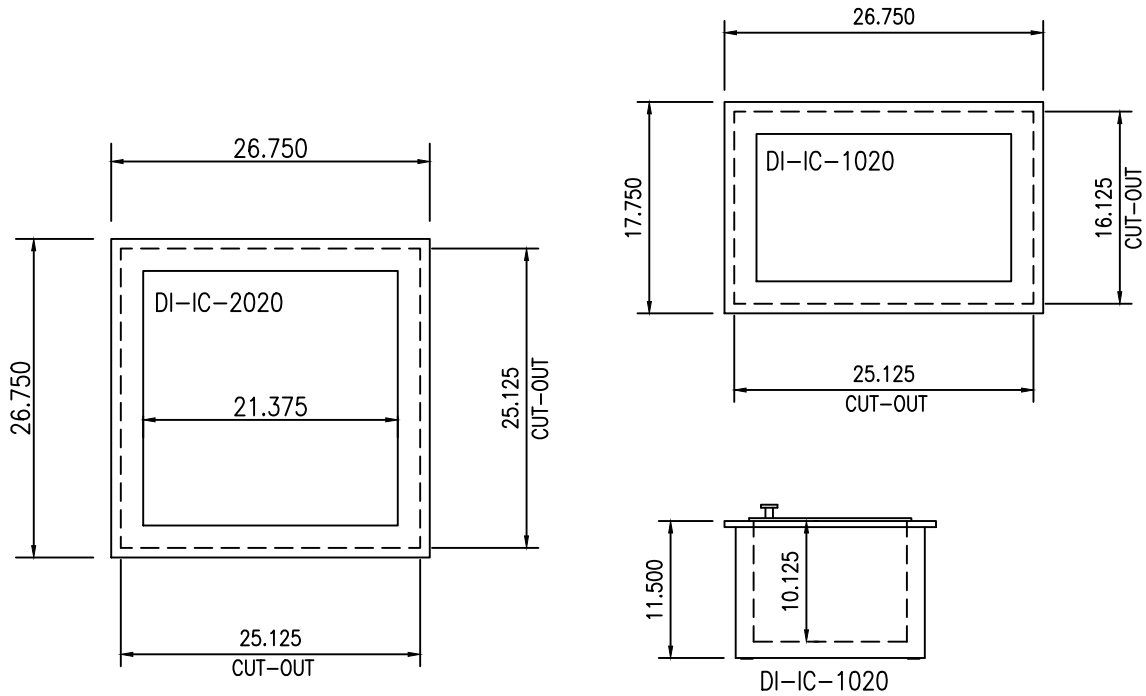
- AIR FLOW: Adequate front to back air flow required with minimum 10" x 10" louvers. Fabricator to provide and install louvers in cabinet base.

### OPTIONAL FEATURES

- LID SELECTION: Bi-fold insulated stainless steel or vacuum formed clear leaxan lid.
- ON/OFF TOGGLE SWITCH: Factory mounted on/off lighted toggle switch.

# MOD-U-SERVE

## DROP-IN ICE CREAM FREEZER



MODEL	LENGTH O.A.	INSIDE DIM.	CUT OUT DIM.
DI-IC-1020	17.75 X 26.75	12.5" X 21.5" X 10.0"	14.25" X 25.125"
DI-IC-2020	26.75 X 26.75	21.5" X 21.5" X 10.0"	25.125" X 25.125"