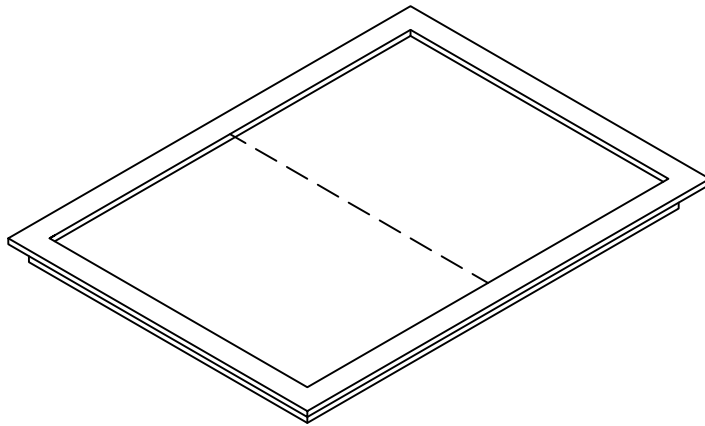


MOD-U-SERVE

DROP-IN RECESSED HEATED UNIT FOR 18 X 26 SHEET PANS



MODEL #DI-HFSP-2

REMOTE TOGGLE CONTROL

<u>MODEL</u>	<u>LENGTH</u>	<u>PANS</u>	<u>WATTS</u>	<u>VOLTS</u>	<u>PHASE</u>	<u>AMPS</u>	<u>CORD/CAP</u>
DI-HFSP-1	21.0"	1	300	120	1	2.5	NEMA 5-15P
DI-HFSP-2	39.0"	2	600	120	1	5.0	NEMA 5-15P
DI-HFSP-3	57.0"	3	900	120	1	7.5	NEMA 5-15P

STANDARD FEATURES

HOT PAN INTERIOR: 16 gauge stainless steel fully welded interior liner integral with top flange.

HOT PAN EXTERIOR: 18 gauge galvanized jacket over minimum 1" thick foam insulation.

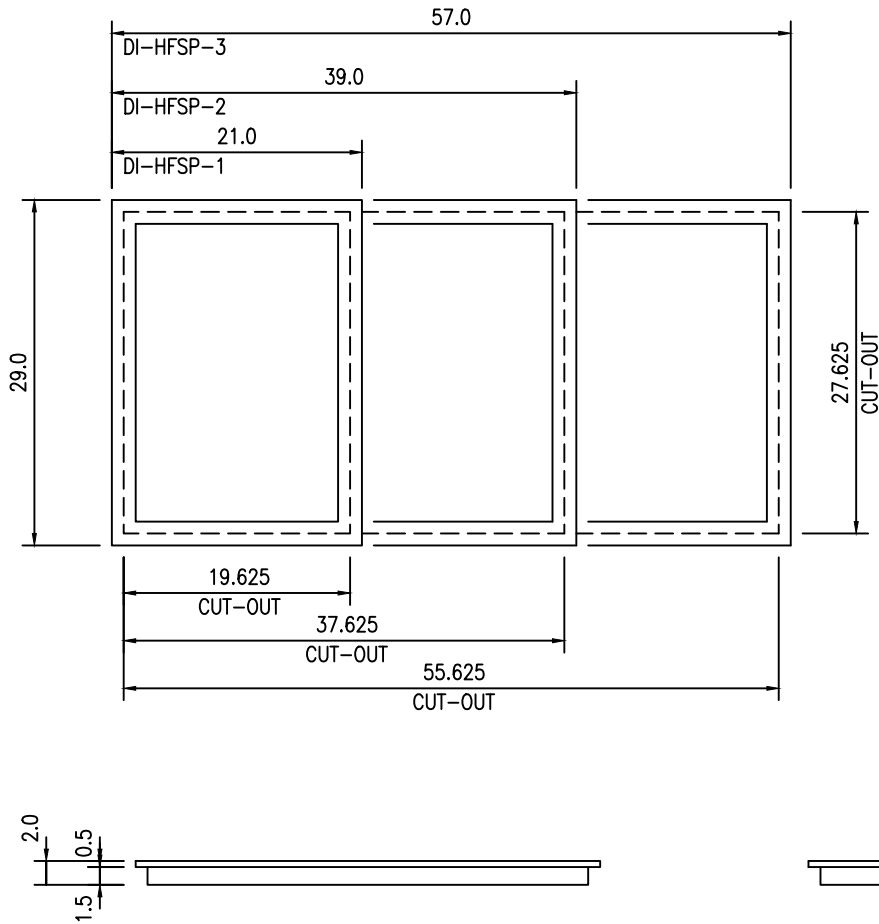
HEATER CONSTRUCTION: Strip heaters mounted to full size aluminum transfer plate with 1" thick fiberglass insulation inside housing and heater access panel.

ELECTRICAL CONNECTION: 6' cord and plug set (NEMA-15).

STAINLESS STEEL SPECIFICATION: All stainless steel to be type 304 with number 3 finish.

MOD-U-SERVE

DROP-IN RECESSED HEATED UNIT FOR 18 X 26 SHEET PANS



MODEL	LENGTH O.A.	WIDTH O.A.	INSIDE DIM.	CUT OUT DIM.
DI-HFSP-1	21.0"	29.0"	17.0" X 25.0"	27.625" X 19.625"
DI-HFSP-2	39.0"	29.0"	35.0" X 25.0"	27.625" X 37.625"
DI-HFSP-3	57.0"	29.0"	53.0" X 25.0"	27.625" X 55.625"