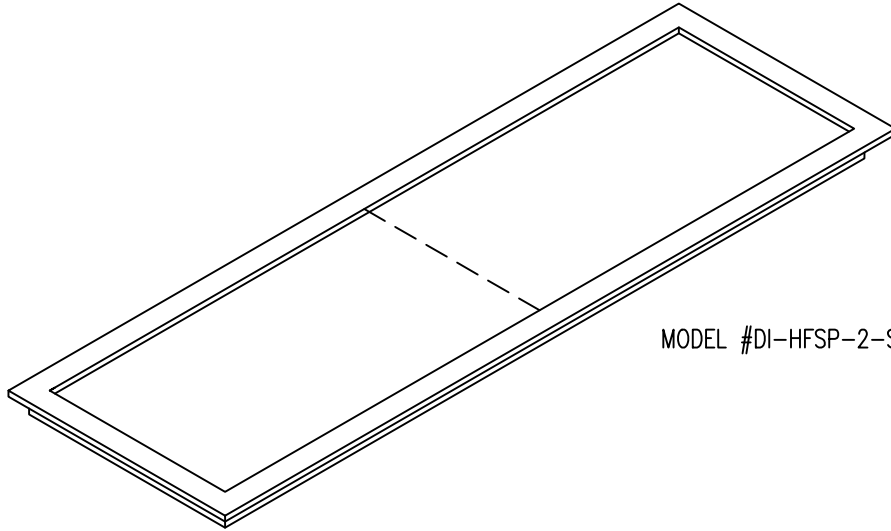


# MOD-U-SERVE

## DROP-IN RECESSED HEATED UNIT FOR 18 X 26 SHEET PANS SLIMLINE



MODEL #DI-HFSP-2-S

REMOTE TOGGLE CONTROL

<u>MODEL</u>	<u>LENGTH</u>	<u>PANS</u>	<u>WATTS</u>	<u>VOLTS</u>	<u>PHASE</u>	<u>AMPS</u>	<u>CORD/CAP</u>
DI-HFSP-1-S	29.0"	1	300	120	1	2.5	NEMA 5-15P
DI-HFSP-2-S	55.0"	2	600	120	1	5.0	NEMA 5-15P

### STANDARD FEATURES

HOT PAN INTERIOR: 16 gauge stainless steel fully welded interior liner integral with top flange.

HOT PAN EXTERIOR: 18 gauge galvanized jacket over minimum 1" thick foam insulation.

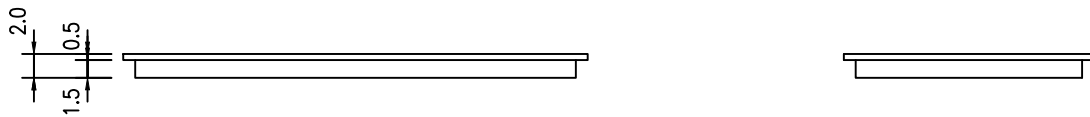
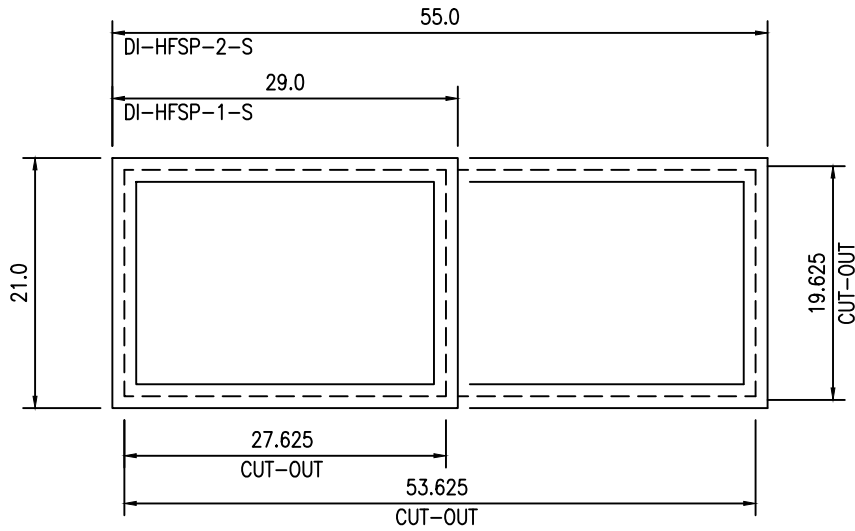
HEATER CONSTRUCTION: Strip heaters mounted to full size aluminum transfer plate with 1" thick fiberglass insulation inside housing and heater access panel.

ELECTRICAL CONNECTION: 6' cord and plug set (NEMA-15).

STAINLESS STEEL SPECIFICATION: All stainless steel to be type 304 with number 3 finish.

# MOD-U-SERVE

## DROP-IN RECESSED HEATED UNIT FOR 18 X 26 SHEET PANS SLIMLINE



<u>MODEL</u>	<u>LENGTH O.A.</u>	<u>WIDTH O.A.</u>	<u>INSIDE DIM.</u>	<u>CUT OUT DIM.</u>
DI-HFSP-1-S	29.0"	21.0"	17.0" X 25.0"	19.625" X 27.625"
DI-HFSP-2-S	55.0"	21.0"	17.0" X 51.0"	19.625" X 53.625"