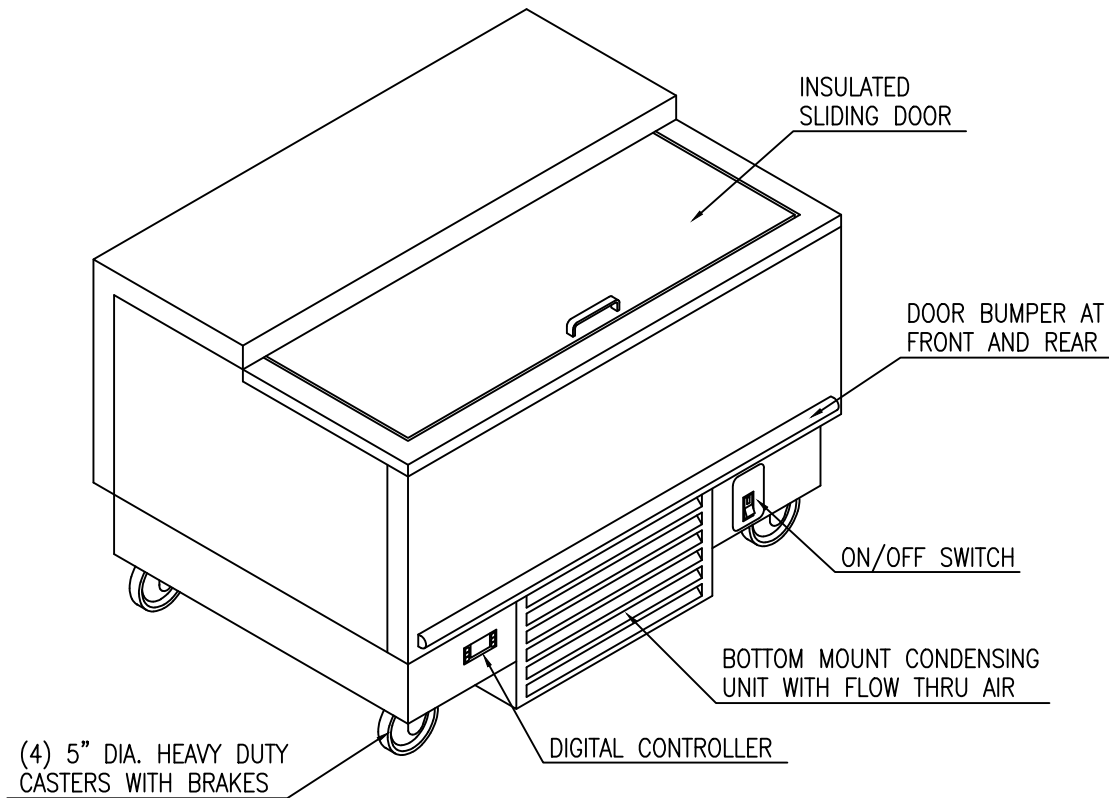


# MOD-U-SERVE

## LOW PROFILE BEVERAGE COOLER

LOW PROFILE DESIGN TO FIT UNDER SNACK BAR TOPS MEETING "ADA" HEIGHT REQUIREMENTS



<u>MODEL</u>	<u>LENGTH</u>	<u>WIDTH</u>	<u>HEIGHT</u>	<u>HP</u>	<u>VOLTS</u>	<u>PHASE</u>	<u>AMPS</u>	<u>CORD/CAP</u>
MCT-BC1-S	42"	30 1/2"	31"	1/4	120	1	8.0A	NEMA 5-15P

CAPACITY: (140) 12 OUNCE CANS DOUBLE STACKED

### STANDARD FEATURES

INTERIOR LINER: 18 gauge stainless steel fully welded liner with breaker strip attachment to exterior panels.

EXTERIOR: 20 gauge stainless steel.

DOORS: 20 gauge stainless steel double pan insulated sliding door.

INSULATION: High pressure foamed in place 2" thick polyurethane.

ON/OFF SWITCH: Exterior mounted on/off switch for ease of use.

CONDENSING UNIT: R404A high temperature hermetically sealed unit with thermostatic adjustment.

CONDENSING UNIT HOUSING: Front and rear removable louver panels for flow thru air design.

DRAIN: 1" stainless steel nipple fully welded to interior liner with brass gate valve at exterior.

CORNER BUMPERS: Door bumpers provided at front and rear.

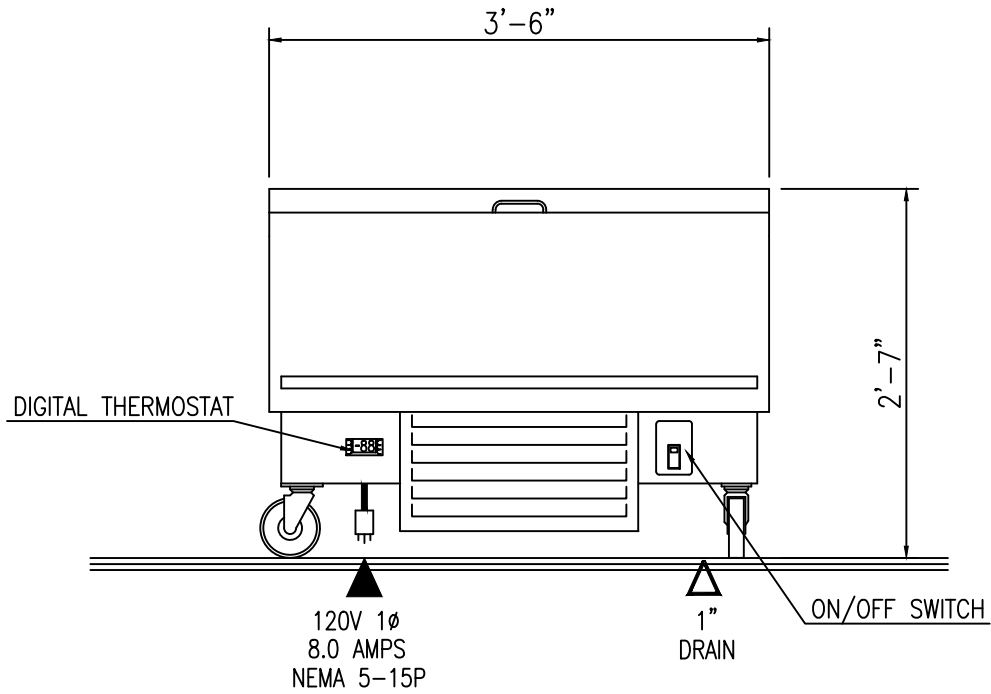
THERMOMETER: Unit complete with digital thermostat/controller.

CASTERS: Heavy duty 5" diameter plate casters with brakes.

STAINLESS STEEL SPECIFICATION: All stainless steel to be type 304 with number 3 finish.

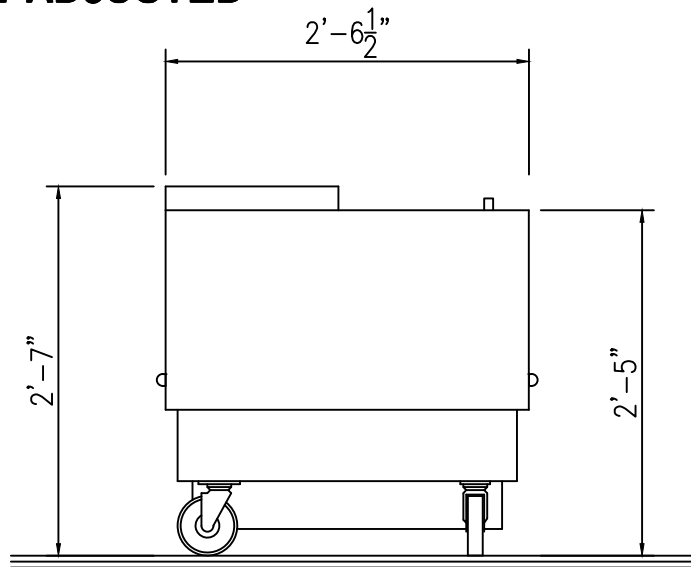
# MOD-U-SERVE

## LOW PROFILE BEVERAGE COOLER



FRONT VIEW

**2'-7" O.A. HEIGHT  
CANNOT BE ADJUSTED**



END VIEW