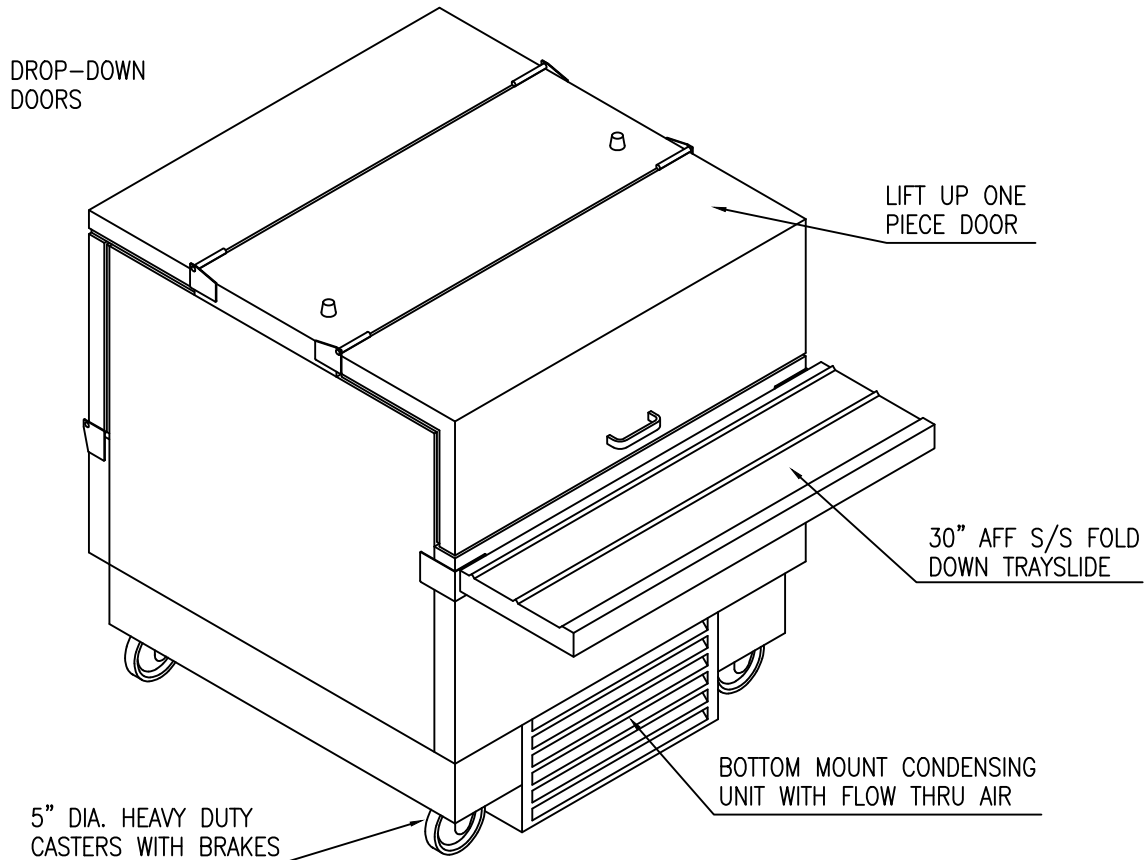


# MOD-U-SERVE

## DROP FRONT MILK COOLER

## INLINE MODEL DOUBLE SIDED



<u>MODEL</u>	<u>LENGTH</u>	<u>WIDTH</u>	<u>HEIGHT</u>	<u>CAPACITY*</u>	<u>HP</u>	<u>VOLTS</u>	<u>PHASE</u>	<u>AMPS</u>	<u>CORD/CAP</u>
MCT-DM1-INLINE	34"	35 1/2"	41"	6 CASE	1/4	120	1	8.0A	NEMA 5-15P
MCT-DM2-INLINE	49"	35 1/2"	41"	9 CASE	1/4	120	1	8.0A	NEMA 5-15P

\* Capacity shown is for standard 13" x 13" x 11" cases

### STANDARD FEATURES

INTERIOR LINER: 18 gauge 304 stainless steel fully welded liner with breaker strip attachment to exterior panels.

EXTERIOR: 20 gauge 304 stainless steel.

DOORS: 20 gauge 304 stainless steel drop down doors w/ replaceable compression gaskets.

INSULATION: High pressure foamed in place 2" thick polyurethane.

ON/OFF SWITCH: Exterior mounted on/off switch for ease of use.

CONDENSING UNIT: R404A high temperature hermetically sealed unit with thermostatic adjustment.

CONDENSING UNIT HOUSING: Front and rear removable louver panels for flow thru air design.

DRAIN: 1" stainless steel nipple fully welded to interior liner with brass gate valve at exterior.

BUMPERS: Door bumpers provided at front and rear.

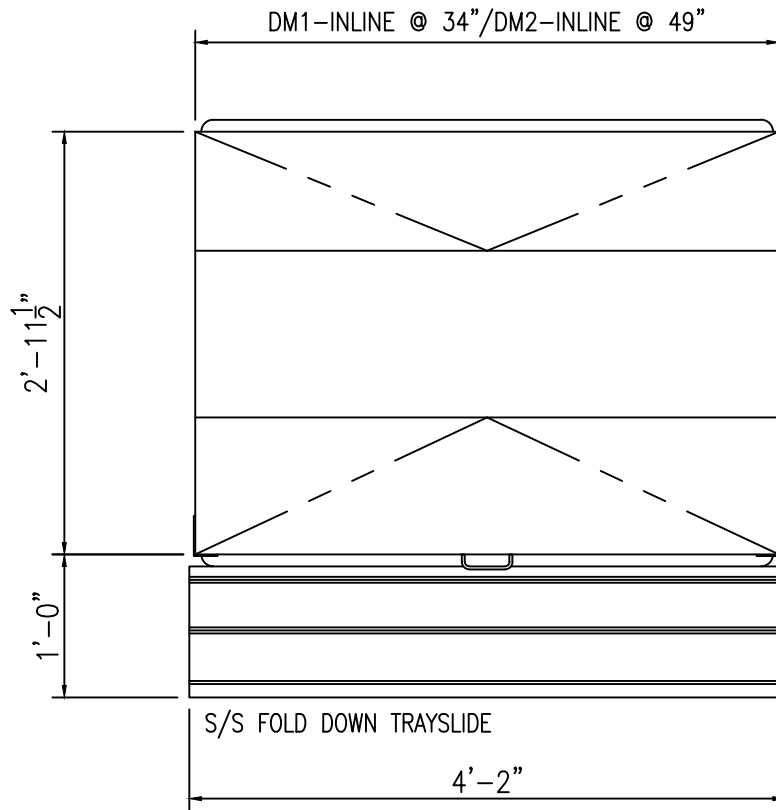
THERMOMETER: Unit complete with digital thermostat/controller.

CASTERS: Heavy duty 5" diameter plate casters with brakes.

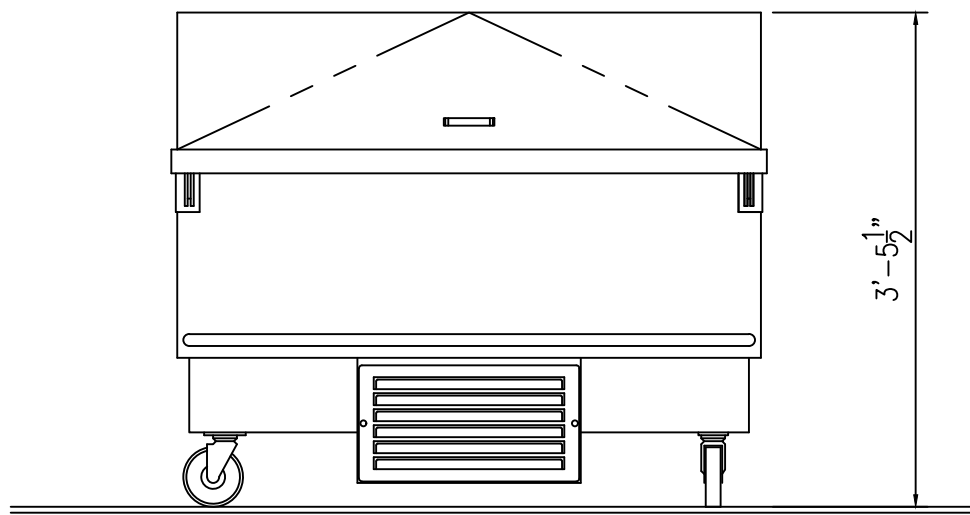
# MOD-U-SERVE

## DROP FRONT MILK COOLER

## INLINE MODEL DOUBLE SIDED



PLAN VIEW



FRONT VIEW

# MOD-U-SERVE

## DROP FRONT MILK COOLER

## INLINE MODEL DOUBLE SIDED

