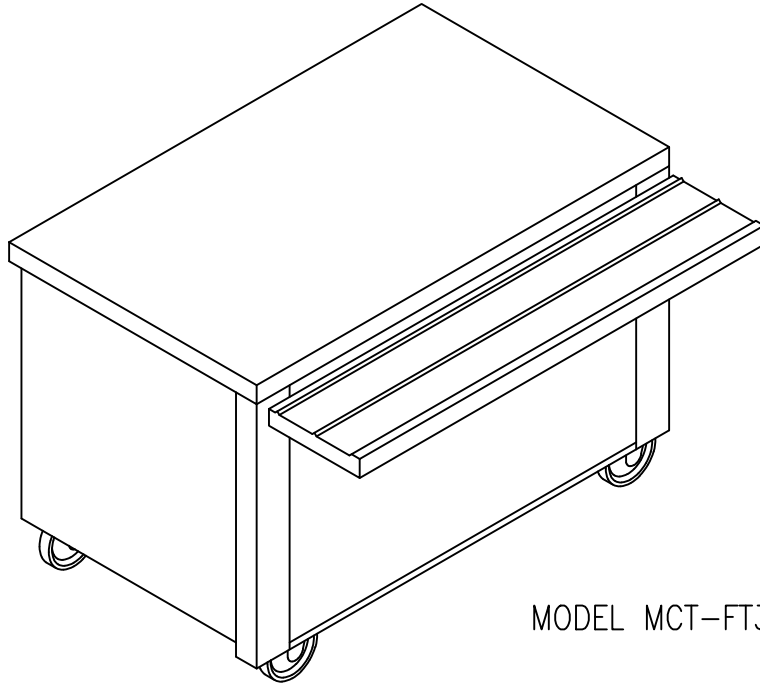


# MOD-U-SERVE

## MODULAR FLAT TOP UNIT



MODEL MCT-FT3 SHOWN

<u>MODEL</u>	<u>LENGTH</u>
MCT-FT2	36"
MCT-FT3	50"
MCT-FT4	64"
MCT-FT5	78"
MCT-FT6	92"

### STANDARD FEATURES

**FRAME:** Featuring frameless construction utilizing 16 gauge stainless steel corner mullions with top and bottom horizontal members of 16 gauge stainless steel.

**CASTERS:** Heavy duty 5" diameter adjustable polyurethane casters with brakes all the way around.

**TOP:** 14 ga. stainless steel with 2" turndown on all sides and sound deadening applied between top and frame.

**SNEEZE GUARD:** Elite 4 custom guards with 1" round stainless steel tubing post. 3/8" tempered glass NSF rated with optional LED light fixtures and heat lamps with infinite control located in control panel.

**FRONT BODY PANEL:** Removable front panels in a wide array of options.

**UNDERSHELF:** 18 ga. stainless steel with 18" high ends and 4" high back. Undersheff is held back 6" from front panel forming a utility chase for plumbing and electrical services.

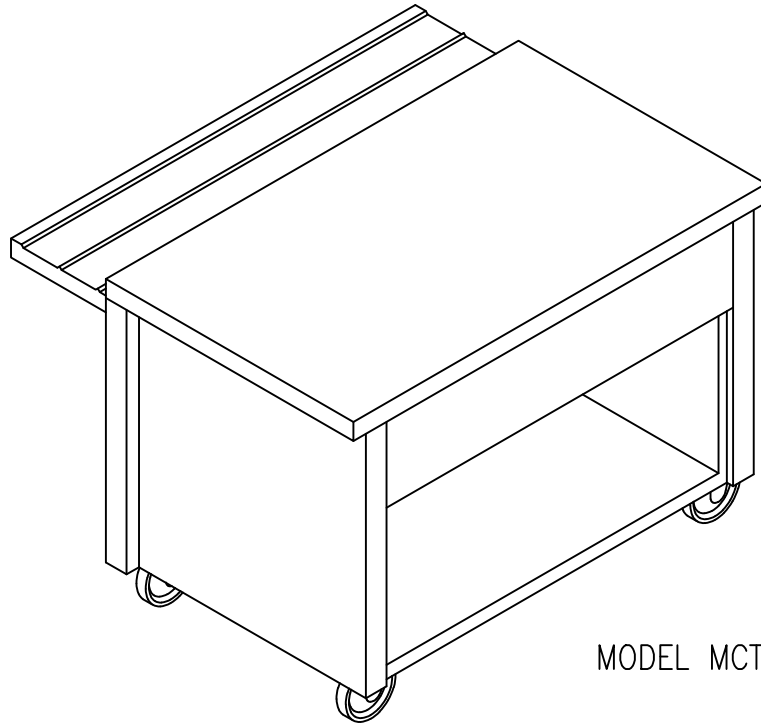
**TRAYSLIDE:** 14 gauge stainless steel with inverted vee ridges on fold-down brackets.

**STAINLESS STEEL SPECIFICATION:** All stainless steel to be type 304 with number 3 finish.

**MODULE LATCHING:** Easy operation pin and slide module latching in top turndown where required.

# MOD-U-SERVE

## MODULAR FLAT TOP UNIT



MODEL MCT-FT3 SHOWN

