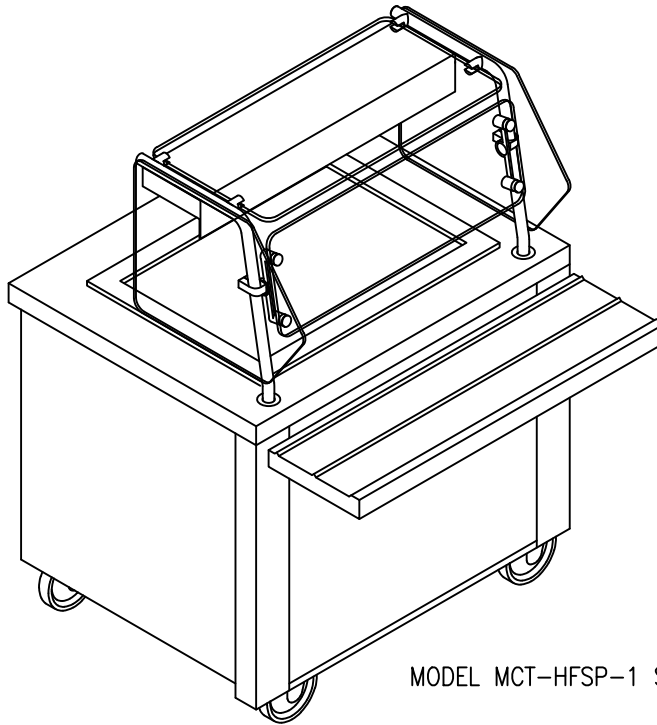


# MOD-U-SERVE

## MODULAR - HOT FOOD UNIT RECESSED FOR SHEET PANS SLIMLINE



MODEL MCT-HFSP-1 SLIMLINE SHOWN

### LIGHTS ONLY/NO HEAT LAMP

<u>MODEL</u>	<u>LENGTH</u>	<u>PANS</u>	<u>WATTS</u>	<u>VOLTS</u>	<u>PHASE</u>	<u>AMPS</u>	<u>CORD/CAP</u>
MCT-HFSP-1-SLIMLINE	38"	1	300	120	1	2.5	NEMA 5-15P
MCT-HFSP-2 SLIMLINE	64"	2	600	120	1	5.0	NEMA 5-15P

### LIGHTS AND HEAT LAMP

<u>MODEL</u>	<u>LENGTH</u>	<u>PANS</u>	<u>WATTS</u>	<u>VOLTS</u>	<u>PHASE</u>	<u>AMPS</u>	<u>CORD/CAP</u>
MCT-HFSP-1-SLIMLINE	38"	1	650	120	1	5.4	NEMA 5-15P
MCT-HFSP-2 SLIMLINE	64"	2	1400	120	1	11.7	NEMA 5-15P

### STANDARD FEATURES

**FRAME:** Featuring frameless construction utilizing 16 gauge stainless steel corner mullions with top and bottom horizontal members of 16 gauge stainless steel.

**CASTERS:** Heavy duty 5" diameter adjustable polyurethane casters with brakes all the way around.

**TOP:** 14 ga. stainless steel with 2" turndown on all sides and sound deadening applied between top and frame.

**SNEEZE GUARD:** Elite 4 custom guards with 1" round stainless steel tubing post. 3/8" tempered glass NSF rated with optional LED light fixtures.

**FRONT BODY PANEL:** Removable front panels in a wide array of options.

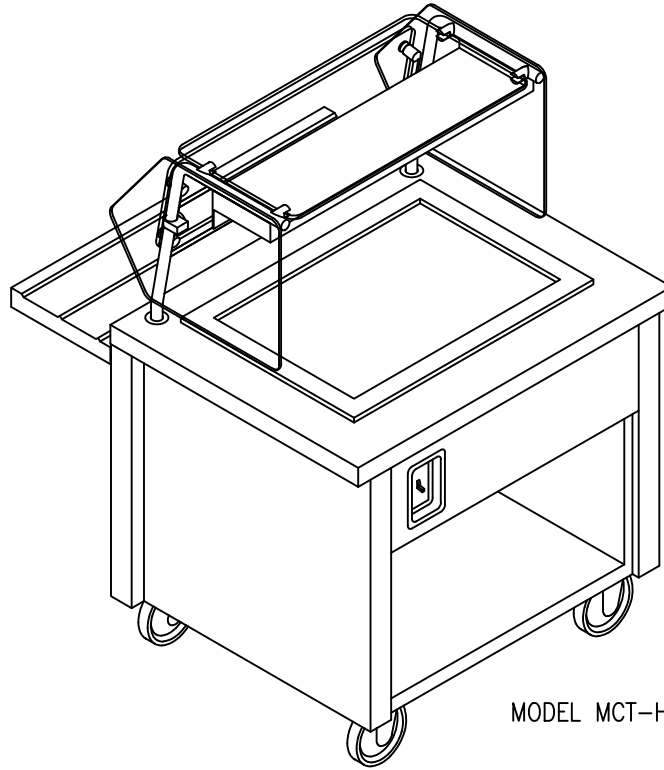
**TRAYSLIDE:** 14 gauge stainless steel with inverted vee ridges on fold-down brackets.

**HOT PAN:** 1/2" deep stainless steel pan sized for 18 x 26 sheet pans for.

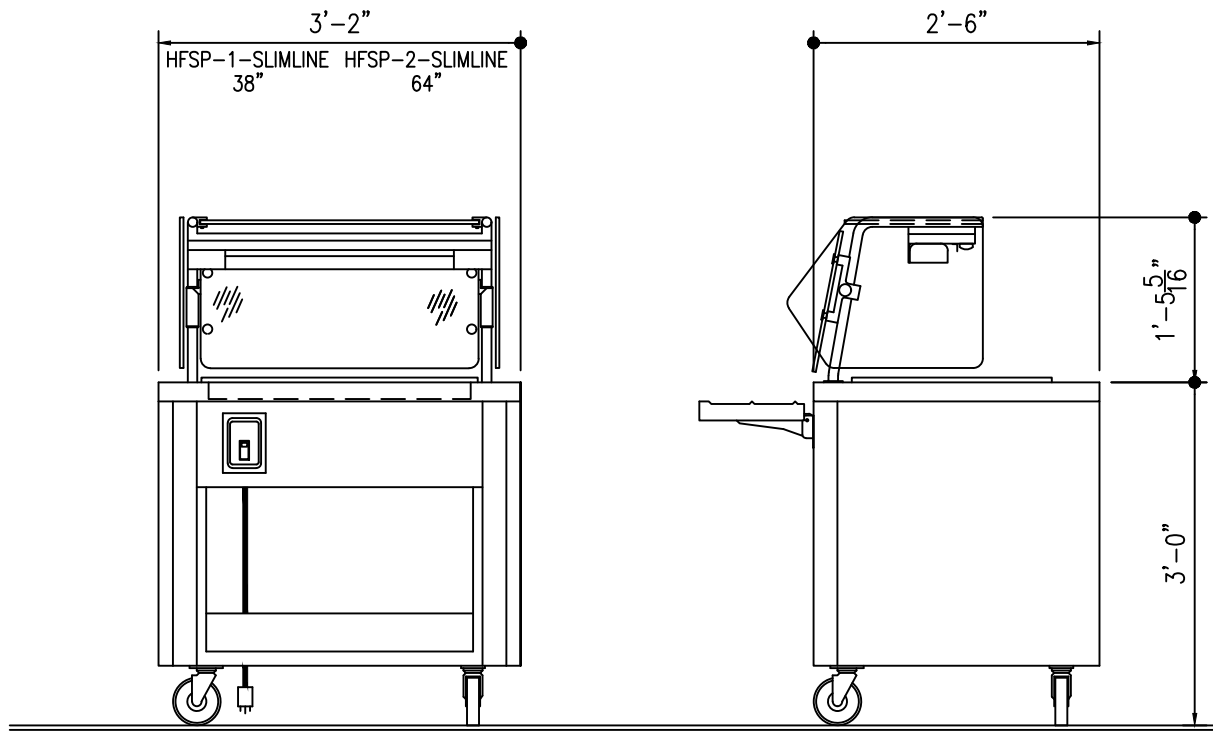
**STAINLESS STEEL SPECIFICATION:** All stainless steel to be type 304 with number 3 finish.

# MOD-U-SERVE

## MODULAR - HOT FOOD UNIT RECESSED FOR SHEET PANS SLIMLINE



MODEL MCT-HFSP-1 SLIMLINE SHOWN



FILE: MCT-HFSP-SLIMLINE-2