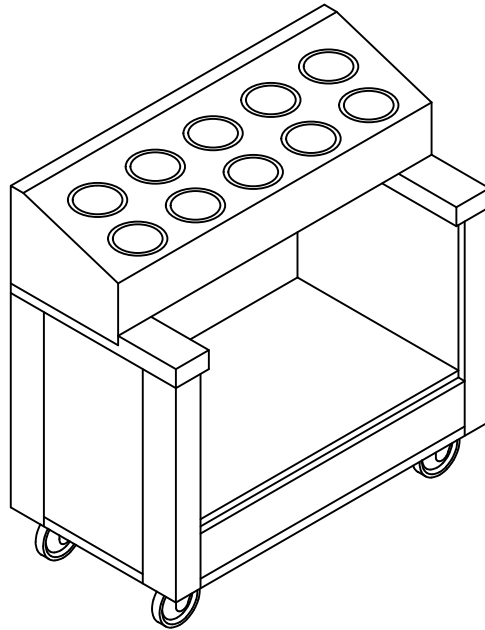


MOD-U-SERVE

MOBILE TRAY/SILVERWARE CART OPEN STYLE



<u>MODEL</u>	<u>LENGTH</u>	<u>WIDTH</u>	<u>HEIGHT</u>
MCT-T/SO-2	38.0"	20.0"	40.0"

STANDARD FEATURES

FRAME: Featuring all stainless steel construction utilizing 16 gauge formed one piece end panels, 18 gauge bottom channels and 1 1/4" square tubing top frame.

CASTERS: Heavy duty 5" diameter plate casters with swivel/brake casters at all corners.

SIDE PANELS: Removable plastic laminate panels on all sides.

SILVERWARE DISPENSER: 16 gauge stainless steel sloped overhead-type silverware dispenser, enclosed on all four sides, and provided with openings for insertion of round silverware cylinders.

STAINLESS STEEL SPECIFICATION: All stainless steel to be type 304 with number 3 finish.

MOD-U-SERVE

MOBILE TRAY/SILVERWARE CART OPEN TYPE

