



CUPPONE F.lli S.r.l.



LISTINO RICAMBI
SPARE PARTS LIST
ERSATZTEILLISTE
LISTE DES PIÈCES DE RECHANGE
LISTADO DE REPUESTOS
ПЕРЕЧЕНЬ ЗАПАСНЫХ ЧАСТЕЙ

Via Silea, 36
31057 Silea - Treviso - Italia

Tel. +39 0422 361143
Fax +39 0422 360993

info@cuppone.com
www.cuppone.com

Silea



Cuppone F.lli S.r.l.
IT08020000002207

APRILE 2016

APRIL 2016

APRIL 2016

AVRIL 2016

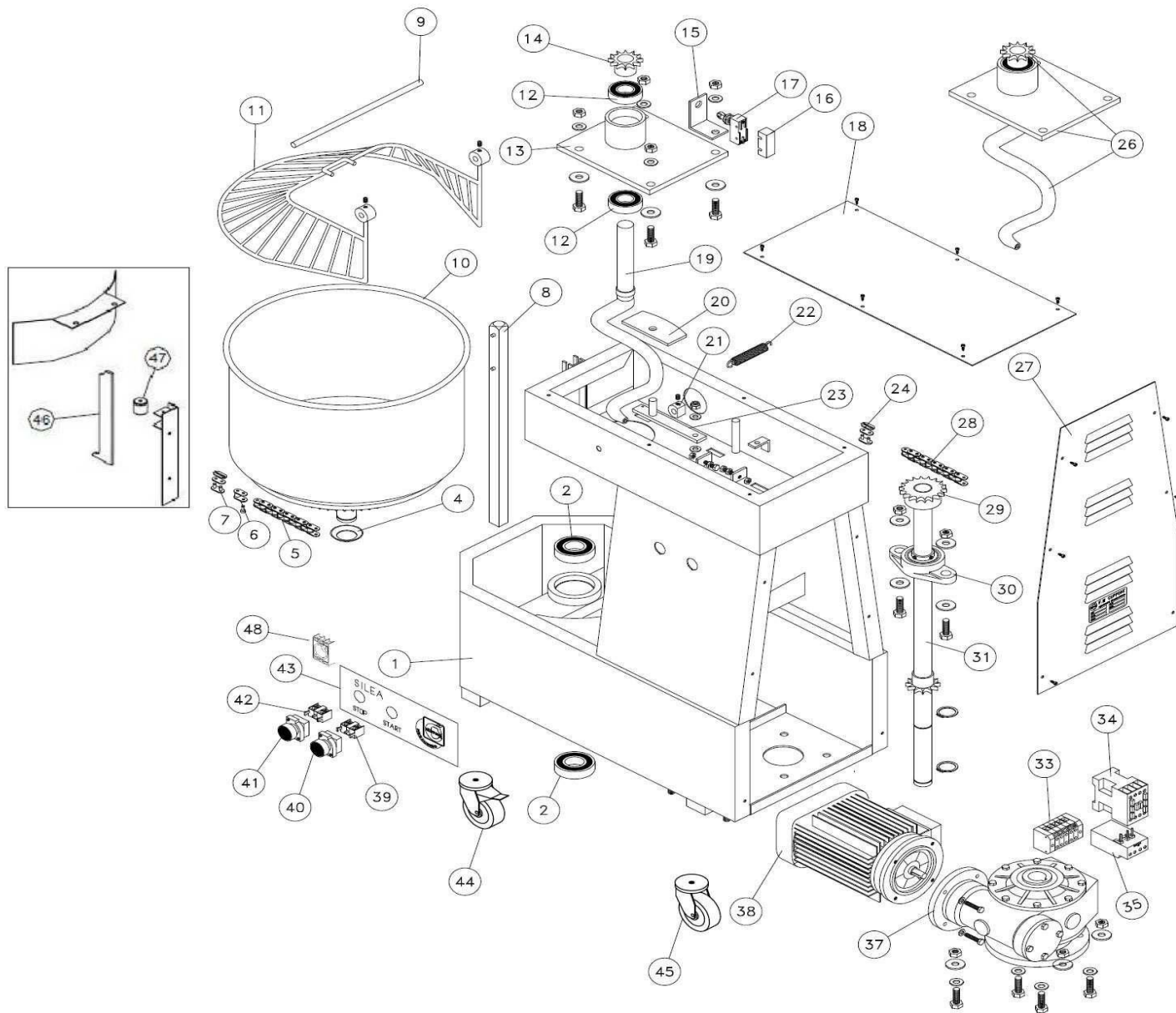
ABRIL 2016

Апрель 2016

Service@linda-lewis.co.uk

www.linda-lewis.co.uk

0161 696 0052



MAGGIO 2013

MAY 2013

MAI 2013

MAI 2013

MAYO 2013

Май 2013

| Nr. | Codice Code Código | Descrizione | Description | Beschreibung | Description | Descripción | Описание |
|-----|--------------------|-----------------------------------|---------------------------------------|--------------------------------|----------------------------------|---------------------------------|----------------------------------|
| 1 | C01.1547 | Cassone S/10K | Frame S/10K | Struktur S/10K | Structure S/10K | Estructura S/10K | Коробка S/10K |
| 1 | C01.342 | Cassone S/20K | Frame S/20K | Struktur S/20K | Structure S/20K | Estructura S/20K | Коробка S/20K |
| 1 | C01.371 | Cassone S/30K | Frame S/30K | Struktur S/30K | Structure S/30K | Estructura S/30K | Коробка S/30K |
| 2 | C01.343 | Cuscinetto 6206 2RS S/10K - S/20K | Bearing 6206 2RS S/10K - S/20K | Lager 6206 2RS - S/10K - S/20K | Coussinet 6206 2RS S/10K - S/20K | Cojinete 6206 2RS S/10K - S/20K | Подшипник 6206 2RS - S/10K S/20K |
| 2 | C01.372 | Cuscinetto 6207 2RS - S/30K | Bearing 6207 2RS - S/30K | Lager 6207 2RS - S/30K | Coussinet 6207 2RS - S/30K | Cojinete 6207 2RS - S/30K | Подшипник 6207 2RS - S/30K |
| 4 | C01.344 | Boccola bacinella S/10K - S/20K | Basin metal ring S/10K - S/20K | Metallring/Wanne S/10K - S/20K | Virole cuve S/10K - S/20K | Virola cuba S/10K - S/20K | Втулка лотка S/10K - S/20K |
| 4 | C01.373 | Boccola bacinella S/30K | Basin metal ring S/30K | Metallring Wanne S/30K | Virole cuve S/30K | Virola cuba S/30K | Втулка лотка S/30K |
| 5 | C01.1544 | Catena bacinella S/10K | Basin chain S/10K | Kette Wanne S/10K | Chaîn cuve S/10K | Cadena cuba S/10K | Цепь лотка S/10K |
| 5 | C01.345 | Catena bacinella S/20K | Basin chain S/20K | Kette Wanne S/20K | Chaîn cuve S/20K | Cadena cuba S/20K | Цепь лотка S/20K |
| 5 | C01.374 | Catena bacinella S/30K | Basin chain S/30K | Kette Wanne S/30K | Chaîn cuve S/30K | Cadena cuba S/30K | Цепь лотка S/30K |
| 6 | C01.034A | Falsamaglia ½" | Fals link ½" | Blindglied ½" | Maille borgne ½" | Eslabón ficticio ½" | Фальшзвено ½" |
| 7 | C01.034B | Giunto ½" | Joint ½" | Verbindung ½" | Joint ½" | Junta ½" | Муфта ½" |
| 8 | C01.277 | Asta bacinella S/20K - S/30K | Basin pole S/20K - S/30K | Wannene Stab S/20K - S/30K | Bâton cuve S/20K - S/30K | Asta Cuba S/20K - S/30K | Стержень лотка S/20K - S/30K |
| 9 | C01.1545 | Perno protezione S/10K | Protection pin S/10K | Scharnier Schutzgitter S/10K | Pivot protection S/10K | Pernio protección S/10K | Защитный штырь S/10K |
| 9 | C01.346 | Perno protezione S/20K | Protection pin S/20K | Scharnier Schutzgitter S/20K | Pivot protection S/20K | Pernio protección S/20K | Защитный штырь S/20K |
| 9 | C01.375 | Perno protezione S/30K | Protection pin S/30K | Scharnier Schutzgitter S/30K | Pivot protection S/30K | Pernio protección S/30K | Защитный штырь S/30K |
| 10 | C01.1546 | Vasca completa S/10K | Complete basin S/10K | Komplette Wanne S/10K | Cuve complète S/10K | Cuba completa S/10K | Укомплектованный бак S/10K |
| 10 | C01.347 | Vasca completa S/20K | Complete basin S/20K | Komplette Wanne S/20K | Cuve complète S/20K | Cuba completa S/20K | Укомплектованный бак S/20K |
| 10 | C01.376 | Vasca completa S/30K | Complete basin S/30K | Komplette Wanne S/30K | Cuve complète S/30K | Cuba completa S/30K | Укомплектованный бак S/30K |

| | | | | | | | |
|----|----------|--------------------------|---|--------------------------------|-------------------------|-------------------------------------|----------------------------|
| 11 | C01.1548 | Protezione cromata S/10K | Chromium-plated protection S/10K | Verchromtes Schutzgitter S/10K | Protection chromé S/10K | Protección revestida de cromo S/10K | Хромированная защита S/10K |
| 11 | C01.279 | Protezione cromata S/20K | Chromium-plated protection S/20K | Verchromtes Schutzgitter S/20K | Protection chromé S/20K | Protección revestida de cromo S/20K | Хромированная защита S/20K |
| 11 | C01.276 | Protezione cromata S/30K | Chromium-plated protection S/30K | Verchromtes Schutzgitter S/30K | Protection chromé S/30K | Protección revestida de cromo S/30K | Хромированная защита S/30K |

| Nr. | Codice Code Código | Descrizione | Description | Beschreibung | Description | Descripción | Описание |
|-----|--------------------|---------------------------|---------------------------------|-------------------------------|--------------------------|-----------------------------------|----------------------------------|
| 12 | C01.1549 | Cuscinetto 6203 2RS S/10K | Bearing 6203 2RS S/10K | Lager 6203 2RS S/10K | Coussinet 6203 2RS S/10K | Cojinete 6203 2RS S/10K | Подшипник 6203 2RS S/10K |
| 12 | C01.348 | Cuscinetto 6204 2RS S/20K | Bearing 6204 2RS S/20K | Lager 6204 2RS S/20K | Coussinet 6204 2RS S/20K | Cojinete 6204 2RS S/20K | Подшипник 6204 2RS S/20K |
| 12 | C01.377 | Cuscinetto 6205 2RS S/30K | Bearing 6205 2RS S/30K | Lager 6205 2RS S/30K | Coussinet 6205 2RS S/30K | Cojinete 6205 2RS S/30K | Подшипник 6205 2RS S/30K |
| 13 | C01.1550 | Torretta zincata S/10K | Zinc-plated turret S/10K | Verzinkter Halteplatte S/10K | Tourelle zingué S/10K | Torrecillarevestida de S/10K cinc | Оцинкованная башня S/10K |
| 13 | C01.349 | Torretta zincata S/20K | Zinc-plated turret S/20K | Verzinkter Halteplatte S/20K | Tourelle zingué S/20K | Torrecillarevestida de S/20K cinc | Оцинкованная башня S/20K |
| 13 | C01.378 | Torretta zincata S/30K | Zinc-plated turret S/30K | Verzinkter Halteplatte S/30K | Tourelle zingué S/30K | Torrecillarevestida de S/30K cinc | Оцинкованная башня S/30K |
| 14 | C01.1551 | Pignone spirale S/10K | Spiral pinion S/10K | Zahnantrieb für Spirale S/10K | Pignon spirale S/10K | Piñón espiral S/10K | Спиральное зубчатое колесо S/10K |
| 14 | C01.350 | Pignone spirale S/20K | Spiral pinion S/20K | Zahnantrieb für Spirale S/20K | Pignon spirale S/20K | Piñón espiral S/20K | Спиральное зубчатое колесо S/20K |
| 14 | C01.379 | Pignone spirale S/30K | Spiral pinion S/30K | Zahnantrieb für Spirale S/30K | Pignon spirale S/30K | Piñón espiral S/30K | Спиральное зубчатое колесо S/30K |
| 15 | C01.351 | Staffa portamico | Microswitch clamp | Mikroschalterung | Support micro à roulette | Soporte microinterruptor | Кронштейн для микровыключателя |
| 16 | C01.352 | Coprimicro | Microswitch cover | Mikroschalterabdeckung | Couvre micro à roulette | Cobertura microinterruptor | Покрытие микровыключателя |

| | | | | | | | |
|----|----------|-----------------------------|--------------------------|------------------------|----------------------|-------------------------|------------------------------|
| 17 | C01.039 | Microinterruttore a rotella | Wheel microswitch | Mikroschalter | Micro à roulette | Microinterruptor | Колесиковый микровыключатель |
| 17 | | Microinterruttore a rotella | Wheel microswitch | Mikroschalter | Micro à roulette | Microinterruptor | Колесиковый микровыключатель |
| 18 | C01.1552 | Coperchio S/10K | Cover S/10K | Deckel S/10K | Couvercle S/10K | Tapa S/10K | Крышка S/10K |
| 18 | C01.353 | Coperchio S/20K | Cover S/20K | Deckel S/20K | Couvercle S/20K | Tapa S/20K | Крышка S/20K |
| 18 | C01.382 | Coperchio S/30K | Cover S/30K | Deckel S/30K | Couvercle S/30K | Tapa S/30K | Крышка S/30K |
| 19 | C01.273 | Spirale S/10K | Spiral S/10K | Spirale S/10K | Spirale S/10K | Espiral S/10K | Спираль S/10K |
| 19 | C01.354 | Spirale S/20K | Spiral S/20K | Spirale S/20K | Spirale S/20K | Espiral S/20K | Спираль S/20K |
| 19 | C01.383 | Spirale S/30K | Spiral S/30K | Spirale S/30K | Spirale S/30K | Espiral S/30K | Спираль S/30K |
| 20 | C01.355 | Particolare plexiglass | Plexiglass detail | Element aus Plexiglass | Détail en plexiglass | Particular de plexiglás | Деталь из плексиглас |

NOTE: Components in Yellow: Spare parts for the American (U.S.A.) and Canadian (CA) markets;

| Nr. | Codice Code Código | Descrizione | Description | Beschreibung | Description | Descripción | Описание |
|-----|--------------------|---------------------------|---------------------------------|----------------------------|--------------------------|--------------------------|--------------------------|
| 21 | C01.356 | Camme micro | Microswitch cam | Nocken Mikroschalter | Cames micro-interrupteur | Leva microinterruptor | Кулачки микровыключателя |
| 22 | C01.357 | Molla | Spring | Feder | Ressort | Muelle | Пружина |
| 23 | C01.358 | Tendicatena | Chain turnbuckle | Kettespanner | Tendeur Chaîn | Tensor de cadena | Цепенатяжное устройство |
| 24 | C01.034B | Giunto ½" - S/10K - S/20K | Joint ½" - S/10K - S/20K | Verbindung ½" -S/10K-S/20K | Joint ½" - S/10K - S/20K | Junta ½" - S/10K - S/20K | Муфта ½" - S/10K - S/20K |
| 24 | C01.388 | Giunto ½" S/30K | Joint ½" S/30K | Verbindung ½" S/30K | Joint ½" S/30K | Junta ½" S/30K | Муфта ½" S/30K |
| 24 | | Giunto ½" S/30K | Joint ½" S/30K | Verbindung ½" S/30K | Joint ½" S/30K | Junta ½" S/30K | Муфта ½" S/30K |
| 26 | C01.033 | Spirale completa S/10K | Complete spiral S/10K | Komplette Spirale S/10K | Spirale complète S/10K | Espiral completa S/10K | Полная спираль S/10K |
| 26 | C01.278 | Spirale completa S/20K | Complete spiral S/20K | Komplette Spirale S/20K | Spirale complète S/20K | Espiral completa S/20K | Полная спираль S/20K |
| 26 | C01.389 | Spirale completa S/30K | Complete spiral S/30K | Komplette Spirale S/30K | Spirale complète S/30K | Espiral completa S/30K | Полная спираль S/30K |
| 27 | C01.1553 | Pannello posteriore S/10K | Rear panel S/10K | Hinteres Paneel S/10K | Panneau arrière S/10K | Panel posterior S/10K | Задняя панель S/10K |
| 27 | C01.360 | Pannello posteriore S/20K | Rear panel S/20K | Hinteres Paneel S/20K | Panneau arrière S/20K | Panel posterior S/20K | Задняя панель S/20K |
| 27 | C01.390 | Pannello posteriore S/30K | Rear panel S/30K | Hinteres Paneel S/30K | Panneau arrière S/30K | Panel posterior S/30K | Задняя панель S/30K |

| | | | | | | | |
|----|----------|----------------------------|--|-----------------------------------|--|------------------------------------|-----------------------------------|
| 28 | C01.1555 | Catena spirale S/10K | Spiral chain S/10K | Kette Spirale S/10K | Chaîn spirale S/10K | Cadena espiral S/10K | Спиральная цепь S/10K |
| 28 | C01.361 | Catena spirale S/20K | Spiral chain S/20K | Kette Spirale S/20K | Chaîn spirale S/20K | Cadena espiral S/20K | Спиральная цепь S/20K |
| 28 | C01.391 | Catena spirale S/30K | Spiral chain S/30K | Kette Spirale S/30K | Chaîn spirale S/30K | Cadena espiral S/30K | Спиральная цепь S/30K |
| 28 | | Catena spirale S/30K | Spiral chain S/30K | Kette Spirale S/30K | Chaîn spirale S/30K | Cadena espiral S/30K | Спиральная цепь S/30K |
| 29 | C01.362 | Pignone albero superiore | Transmissionshaft pinion upper | Zahntrieb oberhalb Antriebsstange | Pignon supérieur arbre de transmission | Piñón superior eje de transmisión | Зубчатое колесо верхнего вала |
| 30 | C01.393 | Supporto UCFL 205 D.25 | Bearing UCFL 205 D.25 | Lager UCFL 205 D.25 | Coussinet UCFL 205 D.25 | Cojinete UCFL 205 D.25 | Опора UCFL 205 Д.25 |
| 31 | C01.1556 | Albero completo S/10K | Completrasmission S/10K shaft | Antriebsstange komplette S/10K | Arbre de transmission complète S/10K | Eje de transmisión completo S/10K | Укомплектованный вал S/10K |
| 31 | C01.260 | Albero completo S/20K | Completrasmission S/20K shaft | Antriebsstange komplette S/20K | Arbre de transmission complète S/20K | Eje de transmisión completo S/20K | Укомплектованный вал S/20K |
| 31 | C01.261 | Albero completo S/30K | Completrasmission S/30K shaft | Antriebsstange komplette S/30K | Arbre de transmission complète S/30K | Eje de transmisión completo S/30K | Укомплектованный вал S/30K |
| 33 | C01.364 | Morsettiera G10/3 monofase | Single-phaseterminal G10/3 bord | Einphasing Klemmleiste G10/3 | Bornier monophasé G10/3 | Regleta de bornes monofásica G10/3 | Однофазная клеммная колодка G10/3 |
| 33 | C01.241 | Morsettiera G10/5 trifase | Three-phaseterminal G10/5 board | Dreiphasing Klemmleiste G10/5 | Bornier triphasé G10/5 | Regleta de bornes trifásica G10/5 | Трёхфазная клеммная колодка G10/5 |

| Nr. | Codice Code Código | Descrizione | Description | Beschreibung | Description | Descripción | Описание |
|-----|--------------------|-----------------------|-----------------------------|-------------------|-----------------------|----------------------|----------------------|
| 34 | C01.1257 | Minicontattore LS (*) | Minicontactor LS (*) | Minischütz LS (*) | Minicontacteur LS (*) | Minicontactor LS (*) | Миниконтактор LS (*) |
| 34 | C01.1257 | Minicontattore GE (*) | Minicontactor GE (*) | Minischütz GE (*) | Minicontacteur GE (*) | Minicontactor GE (*) | Миниконтактор GE (*) |

(*) **C01.1257** < 28/02/2013 (s/n 1302 0635)
(s/n 1303 0639) 01/03/2013 < **C01.127**

| | | | | | | | |
|----|----------|--------------------------------|--|------------------------------------|------------------------------------|------------------------------------|--------------------------------|
| 35 | C01.398 | Minirelè MT03R 2.5-4 S/10K-A | Thermalrelè MT03R 2.5-4 S/10K-A | Thermorelais MT03R 2.5-4 S/10K-A | Thermorelais MT03R 2.5-4 S/10K-A | Relé térmico MT03R 2.5-4 S/10K-A | Миниреле MT03R 2.5-4 S/10K-A |
| 35 | C01.1557 | Minirelè MT03I 1.7-2.4 S/10K-B | Thermalrelè MT03I 1.7-2.4 S/10K-B | Thermorelais MT03I 1.7-2.4 S/10K-B | Thermorelais MT03I 1.7-2.4 S/10K-B | Relé térmico MT03I 1.7-2.4 S/10K-B | Миниреле MT03I 1.7-2.4 S/10K-B |

| | | | | | | | |
|----|----------|--------------------------------------|--|---|---|---|---------------------------------------|
| 35 | C01.1558 | Minirelè MT03G 1.1-1.6 S/10K-C | Thermal relè MT03G 1.1-1.6 S/10K-C | ThermorelaisMT03G 1.1-S/10K-C 1.6 | ThermorelaisMT03G 1.1-S/10K-C 1.6 | Relé térmico MT03G 1.1-1.6 S/10K-C | Миниреле MT03G1.1-1.6 S/10K-C |
| 35 | C01.366 | Minirelè MT03L 4-6.3 S/20K-A (**) | Thermalrelè MT03L 4-6.3 S/20K-A (**) | Thermorelais MT03L 4-6.3 S/20K-A (**) | Thermorelais MT03L 4-6.3 S/20K-A (**) | Relé térmico MT03L 4-6.3 S/20K-A (**) | Миниреле MT03L 4-6.3 S/20K-A (**) |
| 35 | C01.1559 | MinirelèGTK12M3H5 4-6.3 S/20K-A (**) | Thermal relè GTK12M3H5 4-6.3 S/20K-A (**) | Thermorelais GTK12M3H5 4-6.3 S/20K-A (**) | Thermorelais GTK12M3H5 4-6.3 S/20K-A (**) | Relé térmico GTK12M3H5 4-6.3 S/20K-A (**) | Миниреле GTK12M3H5 4-6.3 S/20K-A (**) |

(**) **C01.366** < 28/02 /2013 (s/n 1302 0635)
(s/n 1303 0639) 01/03 /2013 < **C01.1559**

| | | | | | | | |
|----|----------|--|--|--|--|--|--|
| 35 | C01.398 | Minirelè MT03R 2.5-4 S/20K-B (***) | Thermalrelè MT03R 2.5-4 S/20K-B (***) | ThermorelaisMT03R 2.5-4 S/20K-B (***) | ThermorelaisMT03R 2.5-4 S/20K-B (***) | Relé térmico MT03R 2.5-4 S/20K-B (***) | Миниреле MT03R 2.5-4 S/20K-B (***) |
| 35 | C01.1560 | Minirelè GTK12M3H3.3 2,5-4 S/20K-B (***) | Thermalrelè GTK12M3H3.3 2,5-4 S/20K-B (***) | Thermorelais GTK12M3H3.3 2,5-4 S/20K-B (***) | Thermorelais GTK12M3H3.3 2,5-4 S/20K-B (***) | Relé térmico GTK12M3H3.3 2,5-4 S/20K-B (***) | Миниреле GTK12M3H3.3 2,5-4 S/20K-B (***) |

(***) **C01.398** < 28/0 /2013 (s/n 1302 0635)
(s/n 1303 0639) 01/03 /2013 < **C01.1560**

| | | | | | | | |
|----|----------|---|---|---|---|---|---|
| 35 | C01.1557 | Minirelè MT03I 1.7-2.4 S/20K-C (****) | Thermal relè MT03I 1.7-2.4 S/20K-C (****) | ThermorelaisMT03I1.7-2.4 S/20K-C (****) | ThermorelaisMT03I 1.7-2.4 S/20K-C (****) | Relé térmico MT03I 1.7-2.4 S/20K-C (****) | Миниреле MT03I 1.7-2.4 S/20K-C (****) |
| 35 | C01.1561 | Minirelè GTK12M3H3.3 1.7-2.4 S/20K-C (****) | Thermalrelè GTK12M3H3.3 1.7-2.4 S/20K-C (****) | Thermorelais GTK12M3H3.3 1.7-2.4 S/20K-C (****) | Thermorelais GTK12M3H3.3 1.7-2.4 S/20K-C (****) | Relé térmico GTK12M3H3.3 1.7-2.4 S/20K-C (****) | Миниреле GTK12M3H3.3 1.7-2.4 S/20K-C (****) |

| Nr. | Codice Code Código | Descrizione | Description | Beschreibung | Description | Descripción | Описание |
|-----|--------------------|--|---|---|---|---|---|
| 35 | C01.396 | Minirelè MT03N 7.5-10.5 S/30K A (*) | Thermal relè MT03N 7.5-10.5 S/30K-A (*) | Thermorelais MT03N 7.5-10.5 S/30K-A (*) | Thermorelais MT03N 7.5-10.5 S/30K-A (*) | Relé térmico MT03N 7.5-10.5 S/30K-A (*) | МинирелеMT03N 7.5-10.5 S/30K-A (*) |
| 35 | C01.1258 | MinirelèGTK12M3H8.5 7.5-10.5 S/30K-A (*) | Thermalrelè GTK12M3H8.5 7.5-10.5 S/30K-A (*) | Thermorelais GTK12M3H8.5 7.5-10.5 S/30K-A (*) | Thermorelais GTK12M3H8.5 7.5-10.5 S/30K-A (*) | Relé térmico GTK12M3H8.5 7.5-10.5 S/30K-A (*) | Миниреле GTK12M3H8.5 7.5-10.5 S/30K-A (*) |

| | | | | | | | |
|----|----------|--|--|--|--|--|--|
| 35 | C01.366 | Minirelè MT03L 4-6.3 S/30K-B (**) | Thermalrelè MT03L 4-6.3 S/30K-B (**) | ThermorelaisMT03L 4-6.3 S/30K-B (**) | ThermorelaisMT03L 4-6.3 S/30K-B (**) | Relé térmico MT03L4-6.3 S/30K-B (**) | Миниреле MT03L 4-6.3 S/30K-B (**) |
| 35 | C01.1559 | MinirelèGTK12M3H5 4-6.3 S/30K-B (**) | Thermal relè GTK12M3H5 4-6.3 S/30K-B (**) | Thermorelais GTK12M3H5 4-6.3 S/30K-B (**) | Thermorelais GTK12M3H5 4-6.3 S/30K-B (**) | Relé térmico GTK12M3H5 4-6.3 S/30K-B (**) | Миниреле GTK12M3H5 4-6.3 S/30K-B (**) |
| 35 | C01.398 | Minirelè MT03R 2.5-4 S/30K-C (***) | Thermalrelè MT03R 2.5-4 S/30K-C (***) | ThermorelaisMT03R 2.5-4 S/30K-C (***) | ThermorelaisMT03R 2.5-4 S/30K-C (***) | Relé térmico MT03R2.5-4 S/30K-C (***) | Миниреле MT03R 2.5-4 S/30K-C (***) |
| 35 | C01.1560 | Minirelè GTK12M3H3.3 2.5-4 S/30K-C (***) | Thermalrelè GTK12M3H3.3 2.5-4 S/30K-C (***) | Thermorelais GTK12M3H3.3 2.5-4 S/30K-C (***) | Thermorelais GTK12M3H3.3 2.5-4 S/30K-C (***) | Relé térmico GTK12M3H3.3 2.5-4 S/30K-C (***) | Миниреле GTK12M3H3.3 2.5-4 S/30K-C (***) |
| 37 | C01.1526 | Riduttore SF 50/F 20 | Reduction gear SF 50/F 20 | Untersetzungsgetriebe SF 50/F 20 | Réducteur SF 50/F 20 | Reductor SF 50/F 20 | Редуктор SF 50/F 20 |
| 37 | C01.271 | Riduttore SF 63/F 20 | Reduction gear SF 63/F 20 | Untersetzungsgetriebe SF 63/F 20 | Réducteur SF 63/F 20 | Reductor SF 63/F 20 | Редуктор SF 63/F 20 |
| 37 | C01.272 | Riduttore SF 70/F 20 | Reduction gear SF 70/F 20 | Untersetzungsgetriebe SF 70/F 20 | Réducteur SF 70/F 20 | Reductor SF 70/F 20 | Редуктор SF 70/F 20 |
| | | | | | | | |

| Nr. | Codice Code Código | Descrizione | Description | Beschreibung | Description | Descripción | Описание |
|-----|--------------------|---|---|--|--|--|---|
| 38 | C01.1562 | Motore monofase 71 4P B14 Kw 0.37 230 V | Single-phase motor 71 4P B14 Kw 0.37 230 V | Einphasing Motor 71 4P B14 Kw 0.37 230 V | Moteur monophasé 71 4P B14 Kw 0.37 230 V | Motor monofásico 71 4P B14 Kw 0.37 230 V | Однофазный двигатель 71 4P B14 кВт 0.37 230 В |
| 38 | C01.071 | Motore monofase 80 4P B14 Kw 0.75 230 V | Single-phase motor 80 4P B14 Kw 0.75 230 V | Einphasing Motor 80 4P B14 Kw 0.75 230 V | Moteur monophasé 80 4P B14 Kw 0.75 230 V | Motor monofásico 80 4P B14 Kw 0.75 230 V | Однофазный двигатель 80 4P B14 кВт 0.75 230 В |

| | | | | | | | |
|----|----------|---|--|--|--|--|--|
| 38 | C01.399 | Motore monofase 90 4P B14 Kw1.1 230 V | Single-phase motor 90 4P B14 Kw1.1 230 V | Einphasing Motor 90 4P B14 Kw1.1 230 V | Moteur monophasé 90 4P B14 Kw1.1 230 V | Motor monofásico 90 4P B14 Kw1.1 230 V | Однофазный двигатель 90 4P B14 кВт 1.1 230 В |
| 38 | C01.1563 | Motore trifase 71 4P B14 Kw 0.37 400 V | Three-phase motor 71 4P B14 Kw 0.37 400 V | Dreiphasing Motor 71 4P B14 Kw 0.37 400 V | Moteur triphasé 71 4P B14 Kw 0.37 400 V | Motor trifásico 71 4P B14 Kw 0.37 400 V | Трёхфазный двигатель 71 4P B14 кВт 0.37 400 В |
| 38 | C01.367 | Motore trifase 80 4P B14 Kw 0.75 400 V | Three-phase motor 80 4P B14 Kw 0.75 400 V | Dreiphasing Motor 80 4P B14 Kw 0.75 400 V | Moteur triphasé 80 4P B14 Kw 0.75 400 V | Motor trifásico 80 4P B14 Kw 0.75 400 V | Трёхфазный двигатель 90 4P B14 кВт 0.75 400 В |
| 38 | C01.400 | Motore trifase 90 4P B14 Kw1.1 400 V | Three-phase motor 90 4P B14 Kw1.1 400 V | Dreiphasing Motor 90 4P B14 Kw1.1 400 V | Moteur triphasé 90 4P B14 Kw1.1 400 V | Motor trifásico 90 4P B14 Kw1.1 400 V | Трёхфазный двигатель 90 4P B14 кВт 1.1 400 В |
| 39 | C01.1220 | Contatto NO verde (*) | NO green contact (*) | Schließerkontakt grün (*) | Contact NO vert (*) | Contacto NA verde (*) | Контакт НР зеленый (*) |
| 39 | C01.368 | Contatto NO GE (*) | NO GE contact (*) | Schließerkontakt GE (*) | Contact NO GE (*) | Contacto NA GE (*) | Контакт НР GE (*) |

(*) **C01.368** < 28/02/2013 (s/n 1302 0635)
(s/n 1303 0639) 01/03/2013 < **C01.1220**

| | | | | | | | |
|----|----------|--------------------------------|-------------------------------------|-------------------------------|------------------------------|--------------------------------|----------------------------------|
| 40 | C01.1564 | Pulsante start D.22 verde (**) | Start green button D.22 (**) | Start grün Schalter D.22 (**) | Boutton start D.22 vert (**) | Pulsador start D.22 verde (**) | Кнопка запуска Д.22 зеленый (**) |
| 40 | C01.1565 | Pulsante start D.22 GE (**) | Start button D.22 GE (**) | Start Schalter D.22 GE (**) | Boutton start D.22 GE (**) | Pulsador start D.22 GE (**) | Кнопка запуска Д.22 GE (**) |

(**) **C01.1565** < 28/02/2013 (s/n 1302 0635)
(s/n 1303 0639) 01/03/2013 < **C01.1564**

| Nr. | Codice Code Código | Descrizione | Description | Beschreibung | Description | Descripción | Описание |
|-----|--------------------|-----------------------------|-----------------------------------|-----------------------------------|----------------------------|------------------------------|----------------------------------|
| 41 | C01.269 | Pulsante stop D.22 nero (*) | Stop black button D.22 (*) | Stop schwarz Schalter D.22 GE (*) | Boutton stop D.22 noir (*) | Pulsador stop D.22 negro (*) | Кнопка остановки Д.22 черном (*) |

| | | | | | | | |
|--|----------|----------------------------------|-------------------------------------|------------------------------|-----------------------------------|---------------------------------|------------------------------|
| 41 | C01.269 | Pulsante stop D.22 GE (*) | Stop button D.22 GE (*) | Stop Schalter D.22 GE (*) | Boutton stop D.22 GE (*) | Pulsador stop D.22 GE (*) | Кнопка остановки Д.22 GE (*) |
| (*) C01.269 < 28/02/2013 (s/n 1302 0635) (s/n 1303 0639) 01/03/2013 < C01.269 | | | | | | | |
| | | | | | | | |
| 42 | C01.1219 | Contatto NC rosso (**) | NC red contact (**) | Öffnerkontakt rot (**) | Contact NC rouge (**) | Contacto NC rojo (**) | Контакт НЗ красный (**) |
| 42 | C01.369 | Contatto NC GE (**) | Contact NC GE (**) | Kontakt NC GE (**) | Contact NC GE (**) | Contacto NC GE (**) | Контакт НЗ GE (**) |
| (**) C01.369 < 28/02 /2013 (s/n 1302 0635) (s/n 1303 0639) 01/03 /2013 < C01.1219 | | | | | | | |
| | | | | | | | |
| 43 | C01.1566 | Frontale comandi S/10K CP | Polycarbonate panel S/10K CP | Policarbonat Paneel S/10K CP | Panneau en polycarbonate S/10K CP | Panel de policarbonato S/10K CP | Панель управления S/10K CP |
| 43 | C01.370 | Frontale comandi S/20K CP | Polycarbonate panel S/20K CP | Policarbonat Paneel S/20K CP | Panneau en polycarbonate S/20K CP | Panel de policarbonato S/20K CP | Панель управления S/20K CP |
| 43 | C01.403 | Frontale comandi S/30K CP | Polycarbonate panel S/30K CP | Policarbonat Paneel S/30K CP | Panneau en polycarbonate S/30K CP | Panel de policarbonato S/30K CP | Панель управления S/30K CP |
| 44 | C01.302 | Ruota piroettante D.60 freno con | Castor D.60 with brake | Rad mit Bremse D.60 | Roue D.60 avec frein | Rueda D.60 con freno | Колесо Д.60 с тормозом |
| 45 | C01.301 | Ruota piroettante D.60 | Castor D.60 | Rad D.60 | Roue D.60 | Rueda D.60 | Колесо Д.60 |
| | | | | | | | |
| | | | | | | | |
| 48 | C01.1218 | Base fissaggio | Fastening base | Befestigungsbasis | Base de fixation | Base de fijación | Крепежное основание |
| | | | | | | | |