

Figure 1

> 01/02/2013

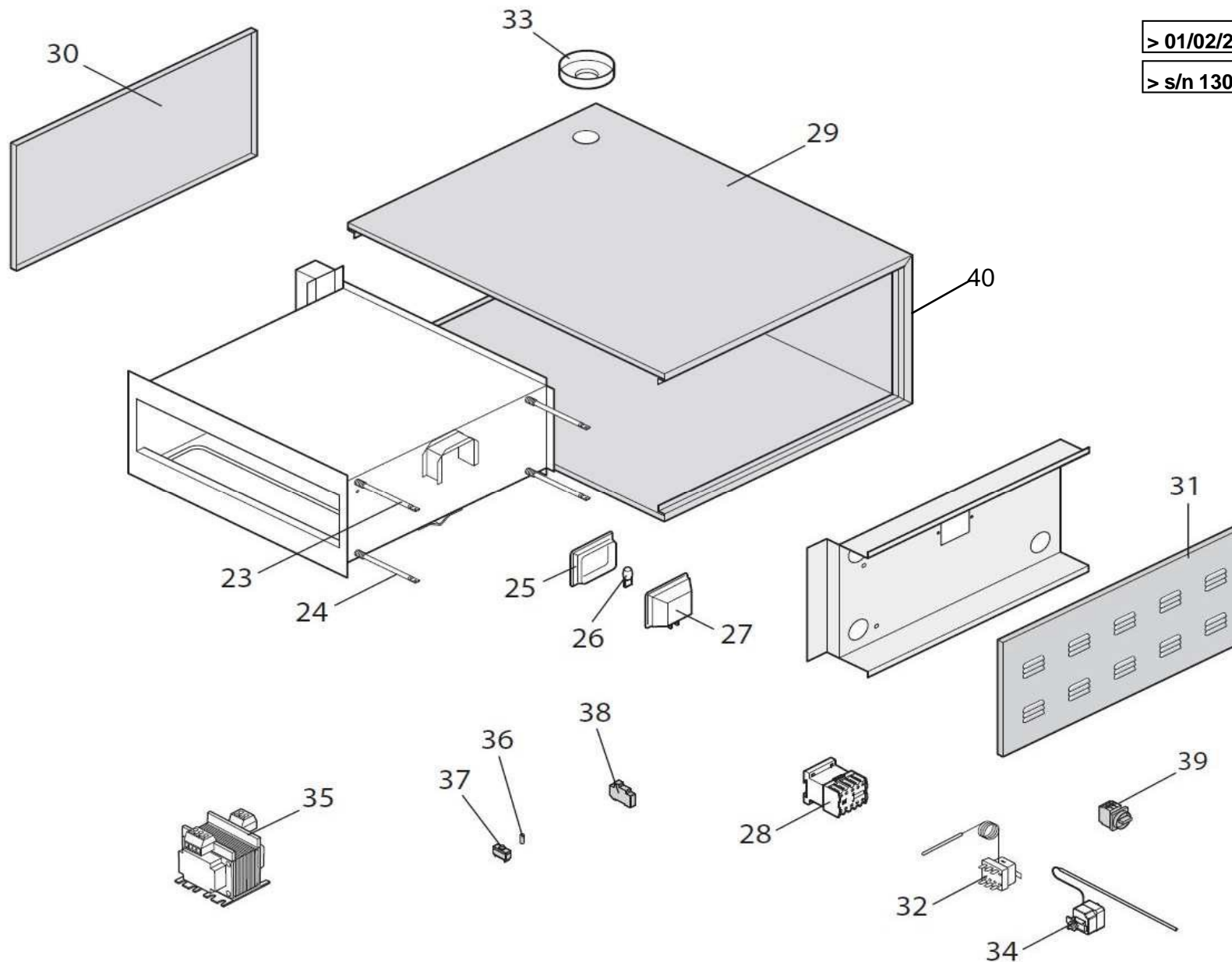
> s/n 1302 0310

Nr.	Codice Code Código	Descrizione	Description	Beschreibung	Description	Descripción	Описание	
1	C01.1028	Assieme porta TZ420	Door unit TZ420	Türensatz TZ420	Ensemble porte TZ420	Conjunto de puerta TZ420	Блок двери TZ420	
1	C01.967	Assieme porta TZ425	Door unit TZ425	Türensatz TZ425	Ensemble porte TZ425	Conjunto de puerta TZ425	Блок двери TZ425	
1	C01.992	Assieme porta TZ430	Door unit TZ430	Türensatz TZ430	Ensemble porte TZ430	Conjunto de puerta TZ430	Блок двери TZ430	
1	C01.1010	Assieme porta TZ435	Door unit TZ435	Türensatz TZ435	Ensemble porte TZ435	Conjunto de puerta TZ435	Блок двери TZ435	
2	C01.1029	Guarnizione vetro TZ420	Glass gasket TZ420	Scheibendichtung TZ420	Joint vitre TZ420	Junta del cristal TZ420	Прокладка стекла TZ420	
2	C01.968	Guarnizione vetro TZ425	Glass gasket TZ425	Scheibendichtung TZ425	Joint vitre TZ425	Junta del cristal TZ425	Прокладка стекла TZ425	
2	C01.993	Guarnizione vetro TZ430	Glass gasket TZ430	Scheibendichtung TZ430	Joint vitre TZ430	Junta del cristal TZ430	Прокладка стекла TZ430	
2	C01.1011	Guarnizione vetro TZ435	Glass gasket TZ435	Scheibendichtung TZ435	Joint vitre TZ435	Junta del cristal TZ435	Прокладка стекла TZ435	
3	C01.1030	Vetro porta TZ420 426X93	Door glass TZ420 426X93	Türscheibe TZ420 426X93	Vitre porte TZ420 426X93	Cristal de la puerta TZ420 426X93	Стекло двери TZ420 426X93	
3	C01.969	Vetro porta TZ425 526X93	Door glass TZ425 526X93	Türscheibe TZ425 526X93	Vitre porte TZ425 526X93	Cristal de la puerta TZ425 526X93	Стекло двери TZ425 526X93	
3	C01.994	Vetro porta TZ430 626X93	Door glass TZ430 626X93	Türscheibe TZ430 626X93	Vitre porte TZ430 626X93	Cristal de la puerta TZ430 626X93	Стекло двери TZ430 626X93	
3	C01.1012	Vetro porta TZ435 726X93	Door glass TZ435 726X93	Türscheibe TZ435 726X93	Vitre porte TZ435 726X93	Cristal de la puerta TZ435 726X93	Стекло двери TZ435 726X93	
4	C01.1031	Struttura porta TZ420	Door structure TZ420	Türrahmen TZ420	Structure porte TZ420	Estructura de la puerta TZ420	Структура двери TZ420	
4	C01.970	Struttura porta TZ425	Door structure TZ425	Türrahmen TZ425	Structure porte TZ425	Estructura de la puerta TZ425	Структура двери TZ425	
4	C01.995	Struttura porta TZ430	Door structure TZ430	Türrahmen TZ430	Structure porte TZ430	Estructura de la puerta TZ430	Структура двери TZ430	
4	C01.1013	Struttura porta TZ435	Door structure TZ435	Türrahmen TZ435	Structure porte TZ435	Estructura de la puerta TZ435	Структура двери TZ435	
5	C01.1032	Profilo fermavetro TZ420	Glazing bead profile TZ420	Glashalteprofil TZ420	Profil blocage vitre TZ420	Perfil de sujeción del cristal TZ420	Профиль штапика стекла	

							TZ420	
5	C01.972	Profilo fermavetro TZ425	Glazing bead profile TZ425	Glashalteprofil TZ425	Profil blocage vitre TZ425	Perfil de sujeción del cristal TZ425	Профиль штапика стекла TZ425	
5	C01.996	Profilo fermavetro TZ430	Glazing bead profile TZ430	Glashalteprofil TZ430	Profil blocage vitre TZ430	Perfil de sujeción del cristal TZ430	Профиль штапика стекла TZ430	
5	C01.1014	Profilo fermavetro TZ435	Glazing bead profile TZ435	Glashalteprofil TZ435	Profil blocage vitre TZ435	Perfil de sujeción del cristal TZ435	Профиль штапика стекла TZ435	
6	C01.244	Vite inox TBE M12x30	St. steel TBE M12x30 screws	Schraube Edelstahl TBE M12x30	Vis inox TBE M12x30	Tornillo inox TBE M12x30	Винт из нержавеющей стали	
7	C01.227	Manopola	Knob	Drehknopf	Manette	Mango	Ручка	
8	C01.991	Maniglia inox TZ-RF	Stainless steel TZ-RF handle	Edelstahlgriff TZ-RF	Poignée inox TZ-RF	Asa inox TZ-RF	Edelstahlgriff TZ-RF	
9	C01.295	Rondella salvamani	Flat (hand protection) washer	Handschutzgummi	Rondelle de des mains protection	Arandela protección manos	Защитная шайба	

Nr.	Codice Code Código	Descrizione	Description	Beschreibung	Description	Descripción	Описание	
10	C01.1033	Facciata completa TZ420/1	Entire face TZ420/1	Vorderfront komplett TZ420/1	Façade complète TZ420/1	Frontal completo TZ420/1	Фасад полный TZ420/1	
10	C01.975	Facciata completa TZ425/1	Entire face TZ425/1	Vorderfront komplett TZ425/1	Façade complète TZ425/1	Frontal completo TZ425/1	Фасад полный TZ425/1	
10	C01.997	Facciata completa TZ430/1	Entire face TZ430/1	Vorderfront komplett TZ430/1	Façade complète TZ430/1	Frontal completo TZ430/1	Фасад полный TZ430/1	
10	C01.1015	Facciata completa TZ435/1	Entire face TZ435/1	Vorderfront komplett TZ435/1	Façade complète TZ435/1	Frontal completo TZ435/1	Фасад полный TZ435/1	
10	C01.976	Facciata completa TZ425/2	Entire face TZ425/2	Vorderfront komplett TZ425/2	Façade complète TZ425/2	Frontal completo TZ425/2	Фасад полный TZ425/2	
10	C01.998	Facciata completa TZ430/2	Entire face TZ430/2	Vorderfront komplett TZ430/2	Façade complète TZ430/2	Frontal completo TZ430/2	Фасад полный TZ430/2	
10	C01.1016	Facciata completa TZ435/2	Entire face TZ435/2	Vorderfront komplett TZ435/2	Façade complète TZ435/2	Frontal completo TZ435/2	Фасад полный TZ435/2	
11	C01.964	Lampada spia	Indicator light	Kontrollleuchte	Voyant lumineux	Piloto	индикаторная лампочка	
12	C01.020	Interruttore verde 2P	Green 2P switch	Grüner Schalter 2P	Interrupteur vert 2P	Interruptor verde 2P	Зеленый выключатель 2P	
13	C01.1244	Manopola termostato	Thermostat knob	Thermostatdrehknopf	Manette thermostat	Rueda del termostato	Ручка термостата	

14	C01.977	Pirometro	Pyrometer	Pyrometer	Pyromètre	Pirómetro	Пирометр	
15	C01.974	Rondella porta	Door washer	Edelstahlgriff TZ-RF	Rondelle porte	Arandela de la puerta	Шайба двери	
16	C01.202A	Vite zincata TCE M8x16	Zinc-coated TCE M8x16 screws	Frontpaneel aus Polyester	Vis galvanisée TCE M8x16	Tornillo galvanizado TCE M8x16	Оцинкованный винт TCE M8x16	
17	C01.1436	Frontale poliestere TZ /1	Polyester front TZ /1	Frontpaneel aus Polyester TZ /1	Façade polyester TZ /1	Frontal de poliéster TZ /1	Фронтальная полиэфирная панель TZ /1	
17	C01.2021	Frontale poliestere TZ /2	Polyester front TZ /2	Frontpaneel aus Polyester TZ /2	Façade polyester TZ /2	Frontal de poliéster TZ /2	Фронтальная полиэфирная панель TZ /2	
18	C01.241	Morsettiera G10/5	G10/5 terminal board	Klemmenbrett G10/5	Bornier G10/5	Regleta de bornes G10/5	Клеммная колодка G10/5	
19	C01.824	Pressacavo PG16	PG16 cable gland	Zugentlastung PG16	Serre-câble PG16	Sujetacable PG16	Кабельный зажим PG16	
20	C01.076	Termostato monofase 450° C	Single-phase thermostat 450°C	Einphasiger Thermosta C : 450°	Thermostat monophasé 450° C	Termostato monofásico 450° C	Однофазный термостат 450° C	
21	C01.1437	Profilo fermapietre	Glazing bead profile	Steinhalteprofil	Profil de blocage des pierres	Perfil sujeción piedras	Удерживающий профиль камней	
22	C01.1035	Mattone refrattario 416X416 TZ420	Firebrick TZ420 416X416	Schamottestein 416X416 TZ420	Brique réfractaire 416X416 TZ420	Ladrillo refractario 416X416 TZ420	Огнеупорный кирпич 416X416 TZ420	
22	C01.190A	Mattone refrattario 258X516 TZ425	Firebrick TZ425 258X516	Schamottestein 258X516 TZ425	Brique réfractaire 258X516 TZ425	Ladrillo refractario 258X516 TZ425	Огнеупорный кирпич 258X516 TZ425	
22	C01.275	Mattone refrattario 308X616 TZ430	Firebrick TZ430 308X616	Schamottestein 308X616 TZ430	Brique réfractaire 308X616 TZ430	Ladrillo refractario 308X616 TZ430	Огнеупорный кирпич 308X616 TZ430	
22	C01.196	Mattone refrattario 358X716 TZ435	Firebrick TZ435 358X716	Schamottestein 358X716 TZ435	Brique réfractaire 358X716 TZ435	Ladrillo refractario 358X716 TZ435	Огнеупорный кирпич 358X716 TZ435	



> 01/02/2013

> s/n 1302 0310

APRILE 2016

APRIL 2016

APRIL 2016

AVRIL 2016

ABRIL 2016

Апрель 2016

Nr.	Codice Code Código	Descrizione	Description	Beschreibung	Description	Descripción	Описание
23	C01.1037	Resistenzasuperiore TZ420 230V 1500W	Upper heating element TZ420 230V 1500W	Oberer Heizwiderstand TZ420 230V 1500W	Résistance supérieure TZ420 230V 1500W	Resistencia superior TZ420 230V 1500W	Верхний нагревательный элемент TZ420 230V 1500W
23	C01.565	Resistenzasuperiore TZ425 230V 2400W	Upper heating element TZ425 230V 2400W	Oberer Heizwiderstand TZ425 230V 2400W	Résistance supérieure TZ425 230V 2400W	Resistencia superior TZ425 230V 2400W	Верхний нагревательный элемент TZ425 230V 2400W
23	C01.337	Resistenzasuperiore TZ430 230V 2800W	Upper heating element TZ430 230V 2800W	Oberer Heizwiderstand TZ430 230V 2800W	Résistance supérieure TZ430 230V 2800W	Resistencia superior TZ430 230V 2800W	Верхний нагревательный элемент TZ430 230V 2800W
23	C01.545	Resistenzasuperiore TZ435 230V 3200W	Upper heating element TZ435 230V 3200W	Oberer Heizwiderstand TZ435 230V 3200W	Résistance supérieure TZ435 230V 3200W	Resistencia superior TZ435 230V 3200W	Верхний нагревательный элемент TZ435 230V 3200W
24	C01.1036	Resistenzainferiore TZ420 230V 800W	Lower heating element TZ420 230V 800W	Unterer Heizwiderstand TZ420 230V 800W	Résistance inférieure TZ420 230V 800W	Resistencia inferior TZ420 230V 800W	Нижний нагревательный элемент TZ420 230V 800W
24	C01.282	Resistenzainferiore TZ425 230V 1600W	Lower heating element TZ425 230V 1600W	Unterer Heizwiderstand TZ425 230V 1600W	Résistance inférieure TZ425 230V 1600W	Resistencia inferior TZ425 230V 1600W	Нижний нагревательный элемент TZ425 230V 1600W
24	C01.281	Resistenzainferiore TZ430 230V 1800W	Lower heating element TZ430 230V 1800W	Unterer Heizwiderstand TZ430 230V 1800W	Résistance inférieure TZ430 230V 1800W	Resistencia inferior TZ430 230V 1800W	Нижний нагревательный элемент TZ430 230V 1800W
24	C01.191	Resistenzainferiore TZ435 230V 2000W	Lower heating element TZ435 230V 2000W	Unterer Heizwiderstand TZ435 230V 2000W	Résistance inférieure TZ435 230V 2000W	Resistencia inferior TZ435 230V 2000W	Нижний нагревательный элемент TZ435 230V 2000W
25	C01.1087	Vetro portalampada	Glass lamp holder	Leuchtenglas	Verre porte-lampe	Cristal portalámparas	Стекло ламподержателя
26	C01.1086	Lampada alogena 12V	Halogen lamp 12V	Halogenlampe 12V	Lampe halogène 12V	Lámpara halógena 12V	Галогенная лампа 12В
27	C01.1000	Portalampada 12V	Light socket 12V	Glühbirnenhalterung 12V	Porte-lampe 12V	Portalámparas 12V	Ламповый патрон 12В
28	C01.288	Contattore	Contactore	Schütz	Compteur	Contactore	Контактор

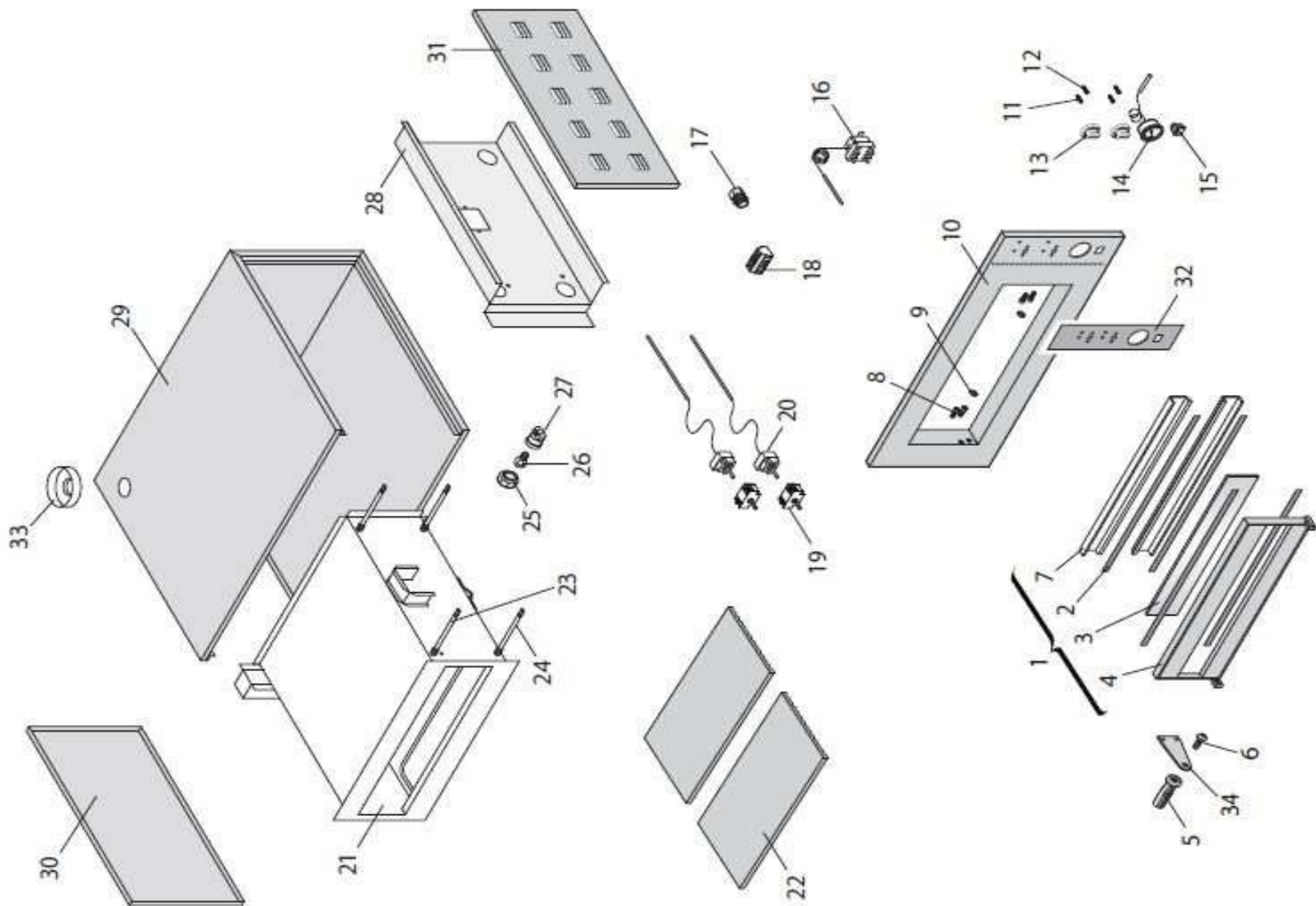
Nr.	Codice Code Código	Descrizione	Description	Beschreibung	Description	Descripción	Описание	Prezzo - Price - Preis - Prix - Precio - ЦЕНА
29	C01.1039	Involucro TZ420/1 (*)	Enclosure TZ420 (*)	Hülle TZ420 (*)	Enveloppe TZ420 (*)	Cubierta TZ420 (*)	Оболочка TZ420 (*)	
29	C01.982	Involucro TZ425/1 (*)	Enclosure TZ425 (*)	Hülle TZ425 (*)	Enveloppe TZ425 (*)	Cubierta TZ425 (*)	Оболочка TZ425 (*)	
29	C01.1004	Involucro TZ430/1 (*)	Enclosure TZ430 (*)	Hülle TZ430 (*)	Enveloppe TZ430 (*)	Cubierta TZ430 (*)	Оболочка TZ430 (*)	
29	C01.1021	Involucro TZ435/1 (*)	Enclosure TZ435 (*)	Hülle TZ435 (*)	Enveloppe TZ435 (*)	Cubierta TZ435 (*)	Оболочка TZ435 (*)	
29	C01.983	Involucro TZ425/2 (*)	Enclosure TZ425/2 (*)	Hülle TZ425/2 (*)	Enveloppe TZ425/2 (*)	Cubierta TZ425/2 (*)	Оболочка TZ425/2 (*)	
29	C01.1005	Involucro TZ430/2 (*)	Enclosure TZ430/2 (*)	Hülle TZ430/2 (*)	Enveloppe TZ430/2 (*)	Cubierta TZ430/2 (*)	Оболочка TZ430/2 (*)	
29	C01.1022	Involucro TZ435/2 (*)	Enclosure TZ435/2 (*)	Hülle TZ435/2 (*)	Enveloppe TZ435/2 (*)	Cubierta TZ435/2 (*)	Оболочка TZ435/2 (*)	
29	C01.1449	COPERCHIO TZ420 (*)	TOP COVER TZ420 (*)	ABDECKUNG TZ420 (*)	COUVERCLE TZ420 (*)	TAPA TZ420 (*)	КРЫШКИ TZ420 (*)	
29	C01.1450	COPERCHIO TZ425 (*)	TOP COVER TZ425 (*)	ABDECKUNG TZ425 (*)	COUVERCLE TZ425 (*)	TAPA TZ425 (*)	КРЫШКИ TZ425 (*)	
29	C01.1315	COPERCHIO TZ430 (*)	TOP COVER TZ430 (*)	ABDECKUNG TZ430 (*)	COUVERCLE TZ430 (*)	TAPA TZ430 (*)	КРЫШКИ TZ430 (*)	
29	C01.1451	COPERCHIO TZ435 (*)	TOP COVER TZ435 (*)	ABDECKUNG TZ435 (*)	COUVERCLE TZ435 (*)	TAPA TZ435 (*)	КРЫШКИ TZ435 (*)	
(*) C01.1039 - C01.982 - C01.1004 - C01.1021 - C01.983 - C01.1005 - C01.1022 - < 31/10/2015 (s/n 1511 3704) (s/n 1511 3705) 01/11/2015 < C01.1449 - C01.1450 - C01.1315 - C01.1451								
40	C01.1452	SCHIENA TZ 420-1	REAR PANEL TZ 420-1	RÜCKWAND TZ 420-1	FOND TZ 420-1	TRASERA TZ 420-1	ЗАДНЯЯ ПАНЕЛЬ TZ 420-1	
40	C01.1453	SCHIENA TZ 425-1	REAR PANEL TZ 425-1	RÜCKWAND TZ 425-1	FOND TZ 425-1	TRASERA TZ 425-1	ЗАДНЯЯ ПАНЕЛЬ TZ 425-1	
40	C01.1454	SCHIENA TZ 425-2	REAR PANEL TZ 425-2	RÜCKWAND TZ 425-2	FOND TZ 425-2	TRASERA TZ 425-2	ЗАДНЯЯ ПАНЕЛЬ TZ 425-2	
40	C01.1333	SCHIENA TZ 430-1	REAR PANEL TZ 430-1	RÜCKWAND TZ 430-1	FOND TZ 430-1	TRASERA TZ 430-1	ЗАДНЯЯ ПАНЕЛЬ TZ 430-1	
40	C01.1455	SCHIENA TZ 430-2	REAR PANEL TZ 430-2	RÜCKWAND TZ 430-2	FOND TZ 430-2	TRASERA TZ 430-2	ЗАДНЯЯ ПАНЕЛЬ TZ 430-2	
40	C01.1456	SCHIENA TZ 435-1	REAR PANEL TZ 435-1	RÜCKWAND TZ 435-1	FOND TZ 435-1	TRASERA TZ 435-1	ЗАДНЯЯ ПАНЕЛЬ TZ 435-1	
40	C01.1457	SCHIENA TZ 435-2	REAR PANEL TZ 435-2	RÜCKWAND TZ 435-2	FOND TZ 435-2	TRASERA TZ 435-2	ЗАДНЯЯ ПАНЕЛЬ TZ 435-2	
30	C01.1040	Pannello laterale sx TZ420/1	Left side panel TZ420	Seitliches Paneel links TZ420	Panneau latéral gauche TZ420	Panel lateral izdo. TZ420	Боковая панель лев. TZ420	
30	C01.984	Pannello laterale sx TZ425/1	Left side panel TZ425	Seitliches Paneel links TZ425	Panneau latéral gauche TZ425	Panel lateral izdo. TZ425	Боковая панель лев. TZ425	
30	C01.1006	Pannello laterale sx TZ430/1	Left side panel TZ430	Seitliches Paneel links TZ430	Panneau latéral gauche TZ430	Panel lateral izdo. TZ430	Боковая панель лев. TZ430	

30	C01.1023	Pannello laterale sx TZ435/1	Left side panel TZ435	Seitliches Paneel links TZ435	Panneau latéral gauche TZ435	Panel lateral izdo. TZ435	Боковая панель лев. TZ435	
30	C01.985	Pannello laterale sx TZ425/2	Left side panel TZ425/2	Seitliches Paneel links TZ425/2	Panneau latéral gauche TZ425/2	Panel lateral izdo. TZ425/2	Боковая панель лев. TZ425/2	
30	C01.1007	Pannello laterale sx TZ430/2	Left side panel TZ430/2	Seitliches Paneel links TZ430/2	Panneau latéral gauche TZ430/2	Panel lateral izdo. TZ430/2	Боковая панель лев. TZ430/2	
30	C01.1024	Pannello laterale sx TZ435/2	Left side panel TZ435/2	Seitliches Paneel links TZ435/2	Panneau latéral gauche TZ435/2	Panel lateral izdo. TZ435/2	Боковая панель лев. TZ435/2	

Nr.	Codice Code Código	Descrizione	Description	Beschreibung	Description	Descripción	Описание	
31	C01.1041	Pannello laterale dx TZ420/1	Right side panel TZ420	Seitliches Paneel rechts TZ420	Panneau latéral droit TZ420	Panel lateral dcho. TZ420	Боковая панель прав. TZ420	
31	C01.986	Pannello laterale dx TZ425/1	Right side panel TZ425	Seitliches Paneel rechts TZ425	Panneau latéral droit TZ425	Panel lateral dcho. TZ425	Боковая панель прав. TZ425	
31	C01.1008	Pannello laterale dx TZ430/1	Right side panel TZ430	Seitliches Paneel rechts TZ430	Panneau latéral droit TZ430	Panel lateral dcho. TZ430	Боковая панель прав. TZ430	
31	C01.1025	Pannello laterale dx TZ435/1	Right side panel TZ435	Seitliches Paneel rechts TZ435	Panneau latéral droit TZ435	Panel lateral dcho. TZ435	Боковая панель прав. TZ435	
31	C01.987	Pannello laterale dx TZ425/2	Right side panel TZ425/2	Seitliches Paneel rechts TZ425/2	Panneau latéral droit TZ425/2	Panel lateral dcho. TZ425/2	Боковая панель прав. TZ425/2	
31	C01.1009	Pannello laterale dx TZ430/2	Right side panel TZ430/2	Seitliches Paneel rechts TZ430/2	Panneau latéral droit TZ430/2	Panel lateral dcho. TZ430/2	Боковая панель прав. TZ430/2	
31	C01.1026	Pannello laterale dx TZ435/2	Right side panel TZ435/2	Seitliches Paneel rechts TZ435/2	Panneau latéral droit TZ435/2	Panel lateral dcho. TZ435/2	Боковая панель прав. TZ435/2	
32	C01.006	Termostato di sicurezza	Safety thermostat	Sicherheitsthermostat	Thermostat de sécurité	Termostato de seguridad	Защитный термостат	
33	C01.1458	Ghiera camino	Flue ring nut	Schraubring Dampfablass	Bague sortie de fumée	Anillo chimenea	Зажимное кольцо трубы	
35	C01.1099	Trasformatore 230/12V 50VA	Transformer 230/12V 50VA	Transformator 230/12V 50VA	Transformateur 230/12V 50VA	Transformador 230/12V 50VA	Трансформатор 230/12V 50VA	

36	C01.1070	Fusibile 5x20F 1A	5x20F 1A Fuse	Sicherung 5x20F 1A	Fusible 5x20F 1A	Fusible 5x20F 1A	Плавкий предохранитель 5x20F 1A	
36								
37	C01.1223	Portafusibile 5x20	5x20 fuse box	Sicherungshalterung 5x20	Porte-fusible 5x20	Portafusibile 5x20	Плавкая вставка 5x20	

Nr.	Codice Code Código	Descrizione	Description	Beschreibung	Description	Descripción	Описание	



< 31/01/2013

< s/n 1301 0275

Nr.	Codice Code Código	Descrizione	Description	Beschreibung	Description	Descripción	Описание
1	C01.1028	Assieme porta TZ420/1M	Door unit TZ420/1M	Türensatz TZ420/1M	Ensemble porte TZ420/1M	Conjunto de puerta TZ420/1M	Блок двери TZ420/1M
1	C01.967	Assieme porta TZ425	Door unit TZ425	Türensatz TZ425	Ensemble porte TZ425	Conjunto de puerta TZ425	Блок двери TZ425
1	C01.992	Assieme porta TZ430	Door unit TZ430	Türensatz TZ430	Ensemble porte TZ430	Conjunto de puerta TZ430	Блок двери TZ430
1	C01.1010	Assieme porta TZ435	Door unit TZ435	Türensatz TZ435	Ensemble porte TZ435	Conjunto de puerta TZ435	Блок двери TZ435
2	C01.1029	Guarnizione vetro TZ420/1M	Glass gasket TZ420/1M	Scheibendichtung TZ420/1M	Joint vitre TZ420/1M	Junta del cristal TZ420/1M	Прокладка стекла TZ420/1M
2	C01.968	Guarnizione vetro TZ425	Glass gasket TZ425	Scheibendichtung TZ425	Joint vitre TZ425	Junta del cristal TZ425	Прокладка стекла TZ425
2	C01.993	Guarnizione vetro TZ430	Glass gasket TZ430	Scheibendichtung TZ430	Joint vitre TZ430	Junta del cristal TZ430	Прокладка стекла TZ430
2	C01.1011	Guarnizione vetro TZ435	Glass gasket TZ435	Scheibendichtung TZ435	Joint vitre TZ435	Junta del cristal TZ435	Прокладка стекла TZ435
3	C01.1030	Vetro porta TZ420 426X93	Door glass TZ420 426X93	Türscheibe TZ420 426X93	Vitre porte TZ420 426X93	Cristal de la puerta TZ420 426X93	Стекло двери TZ420 426X93
3	C01.969	Vetro porta TZ425 526X93	Door glass TZ425 526X93	Türscheibe TZ425 526X93	Vitre porte TZ425 526X93	Cristal de la puerta TZ425 526X93	Стекло двери TZ425 526X93
3	C01.994	Vetro porta TZ430 626X93	Door glass TZ430 626X93	Türscheibe TZ430 626X93	Vitre porte TZ430 626X93	Cristal de la puerta TZ430 626X93	Стекло двери TZ430 626X93
3	C01.1012	Vetro porta TZ435 726X93	Door glass TZ435 726X93	Türscheibe TZ435 726X93	Vitre porte TZ435 726X93	Cristal de la puerta TZ435 726X93	Стекло двери TZ435 726X93
4	C01.1031	Struttura porta TZ420/1M	Door structure TZ420/1M	Türrahmen TZ420/1M	Structure porte TZ420/1M	Estructura de la puerta TZ420/1M	Структура двери TZ420/1M
4	C01.970	Struttura porta TZ425	Door structure TZ425	Türrahmen TZ425	Structure porte TZ425	Estructura de la puerta TZ425	Структура двери TZ425
4	C01.995	Struttura porta TZ430	Door structure TZ430	Türrahmen TZ430	Structure porte TZ430	Estructura de la puerta TZ430	Структура двери TZ430
4	C01.1013	Struttura porta TZ435	Door structure TZ435	Türrahmen TZ435	Structure porte TZ435	Estructura de la puerta TZ435	Структура двери TZ435
5	C01.227	Manopola	Knob	Drehknopf	Manette	Mango	Ручка
	C01.295						

6	C01.244	Vite inox TBE M12x30	St. steel TBE M12x30 screws	Schraube Edelstahl TBE M12x30	Vis inox TBE M12x30	Tornillo inox TBE M12x30	Винт из стали нержавеющей TBE M12x30
7	C01.1032	Profilo fermavetro TZ420/1M	Glazing bead profile TZ420/1M	Glashalteprofil TZ420/1M	Profil blocage vitre TZ420/1M	Perfil de sujeción del cristal TZ420/1M	Профиль штапика стекла TZ420/1M
7	C01.972	Profilo fermavetro TZ425	Glazing bead profile TZ425	Glashalteprofil TZ425	Profil blocage vitre TZ425	Perfil de sujeción del cristal TZ425	Профиль штапика стекла TZ425
7	C01.996	Profilo fermavetro TZ430	Glazing bead profile TZ430	Glashalteprofil TZ430	Profil blocage vitre TZ430	Perfil de sujeción del cristal TZ430	Профиль штапика стекла TZ430
7	C01.1014	Profilo fermavetro TZ435	Glazing bead profile TZ435	Glashalteprofil TZ435	Profil blocage vitre TZ435	Perfil de sujeción del cristal TZ435	Профиль штапика стекла TZ435
8	C01.222A	Vite zincata TCE M8x16	Zinc-coated TCE M8x16 screws	Schraube verzinkt TCE M8x16	Vis galvanisée TCE M8x16	Tornillo galvanizado TCE M8x16	Оцинкованный TCE винт M8x16
9	C01.974	Rondella porta	Door washer	Unterlegscheibe Tür	Rondelle porte	Arandela de la puerta	Шайба двери

Nr.	Codice Code Código	Descrizione	Description	Beschreibung	Description	Descripción	Описание
10	C01.1033	Facciata completa TZ420/1M	Entire face TZ420/1M	Vorderfront komplett TZ420/1M	Façade complète TZ420/1M	Frontal completo TZ420/1M	Фасад полный TZ420/1M
10	C01.975	Facciata completa TZ425/1M	Entire face TZ425/1M	Vorderfront komplett TZ425/1M	Façade complète TZ425/1M	Frontal completo TZ425/1M	Фасад полный TZ425/1M
10	C01.997	Facciata completa TZ430/1M	Entire face TZ430/1M	Vorderfront komplett TZ430/1M	Façade complète TZ430/1M	Frontal completo TZ430/1M	Фасад полный TZ430/1M
10	C01.1015	Facciata completa TZ435/1M	Entire face TZ435/1M	Vorderfront komplett TZ435/1M	Façade complète TZ435/1M	Frontal completo TZ435/1M	Фасад полный TZ435/1M
10	C01.976	Facciata completa TZ425/2M	Entire face TZ425/2M	Vorderfront komplett TZ425/2M	Façade complète TZ425/2M	Frontal completo TZ425/2M	Фасад полный TZ425/2M
10	C01.998	Facciata completa TZ430/2M	Entire face TZ430/2M	Vorderfront komplett TZ430/2M	Façade complète TZ430/2M	Frontal completo TZ430/2M	Фасад полный TZ430/2M
10	C01.1016	Facciata completa TZ435/2M	Entire face TZ435/2M	Vorderfront komplett TZ435/2M	Façade complète TZ435/2M	Frontal completo TZ435/2M	Фасад полный TZ435/2M
11	C01.193	Lampada spia verde	Green indicator light	Grüne Kontrollleuchte	Voyant lumineux vert	Piloto verde	Зеленая индикаторная лампочка

12	C01.194	Lampada spia arancione	Orange indicator light	Orange Kontrollleuchte	Voyant lumineux orange	Piloto naranja	Оранжевая индикаторная лампочка
13	C01.195	Manopola termostato 450° C	Thermostat knob 450° C	Thermostatdrehknopf 450° C	Manette thermostat 450° C	Rueda del termostato 450° C	Ручка термостата 450° C
14	C01.977	Pirometro	Pyrometer	Pyrometer	Pyromètre	Pirómetro	Пирометр
15	C01.020	Interruttore verde 2P	Green 2P switch	Grüner Schalter 2P	Interrupteur vert 2P	Interruptor verde 2P	Зеленый выключатель 2P
16	C01.006	Termostato di sicurezza	Safety thermostat	Sicherheitsthermostat	Thermostat de sécurité	Termostato de seguridad	Защитный термостат
17	C01.824	Pressacavo PG16	PG16 cable gland	Zugentlastung PG16	Serre-câble PG16	Sujetacable PG16	Кабельный зажим PG16
18	C01.241	Morsettiera G10/5	G10/5 terminal board	Klemmenbrett G10/5	Bornier G10/5	Regleta de bornes G10/5	Клеммная колодка G10/5
19	C01.192	Interruttore per termostato	Thermostat switch	Thermostatschalter	Interrupteur pour thermostat	Interruptor para termostato	Выключатель для термостата
20	C01.076	Termostato monofase 450° C	Single-phase thermostat 450° C	Einphasiger Thermostat 450° C	Thermostat monophasé 450° C	Termostato monofásico 450° C	Однофазный термостат 450° C
21	C01.1034	Camera completa TZ420	Entire chamber TZ420	Komplette Kammer TZ420	Chambre complète TZ420	Cámara completa TZ420	Укомплектованная камера TZ420
21	C01.978	Camera completa TZ425	Entire chamber TZ425	Komplette Kammer TZ425	Chambre complète TZ425	Cámara completa TZ425	Укомплектованная камера TZ425
21	92810002	Camera completa TZ430	Entire chamber TZ430	Komplette Kammer TZ430	Chambre complète TZ430	Cámara completa TZ430	Укомплектованная камера TZ430
21	C01.1017	Camera completa TZ435	Entire chamber TZ435	Komplette Kammer TZ435	Chambre complète TZ435	Cámara completa TZ435	Укомплектованная камера TZ435

Nr.	Codice Code Código	Descrizione	Description	Beschreibung	Description	Descripción	Описание
22	C01.1035	Mattone refrattario TZ420 416X416	Firebrick TZ420 416X416	Schamottestein TZ420 416X416	Brique réfractaire TZ420 416X416	Ladrillo refractario TZ420 416X416	Огнеупорный кирпич TZ420 416X416
22	C01.190A	Mattone refrattario TZ425 258X516	Firebrick TZ425 258X516	Schamottestein TZ425 258X516	Brique réfractaire TZ425 258X516	Ladrillo refractario TZ425 258X516	Огнеупорный кирпич TZ425 258X516
22	C01.275	Mattone refrattario TZ430 308X616	Firebrick TZ430 308X616	Schamottestein TZ430 308X616	Brique réfractaire TZ430 308X616	Ladrillo refractario TZ430 308X616	Огнеупорный кирпич TZ430

							308X616	
22	C01.196	Matton refrattario TZ435 358X716	Firebrick TZ435 358X716	Schamottestein TZ435 358X716	Brique réfractaire TZ435 358X716	Ladrillo refractario TZ435 358X716	Огнеупорный кирпич TZ435 358X716	
23	C01.1037	Resistenza superiore TZ420 230V 1500W	Upper heating element TZ420 230V 1500W	Oberer Heizwiderstand TZ420 230V 1500W	Résistance supérieure TZ420 230V 1500W	Resistenciasuperior TZ420 230V 1500W	Верхний нагревательный элемент TZ420 230V 1500W	
23	C01.565	Resistenza superiore TZ425 230V 2400W	Upper heating element TZ425 230V 2400W	Oberer Heizwiderstand TZ425 230V 2400W	Résistance supérieure TZ425 230V 2400W	Resistenciasuperior TZ425 230V 2400W	Верхний нагревательный элемент TZ425 230V 2400W	
23	C01.337	Resistenza superiore TZ430 230V 2800W	Upper heating element TZ430 230V 2800W	Oberer Heizwiderstand TZ430 230V 2800W	Résistance supérieure TZ430 230V 2800W	Resistenciasuperior TZ430 230V 2800W	Верхний нагревательный элемент TZ430 230V 2800W	
23	C01.545	Resistenza superiore TZ435 230V 3200W	Upper heating element TZ435 230V 3200W	Oberer Heizwiderstand TZ435 230V 3200W	Résistance supérieure TZ435 230V 3200W	Resistenciasuperior TZ435 230V 3200W	Верхний нагревательный элемент TZ435 230V 3200W	
24	C01.1036	Resistenzainferiore TZ420 230V 800W	Lower heating element TZ420 230V 800W	Unterer Heizwiderstand TZ420 230V 800W	Résistance inférieure TZ420 230V 800W	Resistencia inferior TZ420 230V 800W	Нижнийнагревательный элемент TZ420 230V 800W	
24	C01.282	Resistenzainferiore TZ425 230V 1600W	Lower heating element TZ425 230V 1600W	Unterer Heizwiderstand TZ425 230V 1600W	Résistance inférieure TZ425 230V 1600W	Resistencia inferior TZ425 230V 1600W	Нижнийнагревательный элемент TZ425 230V 1600W	
24	C01.281	Resistenzainferiore TZ430 230V 1800W	Lower heating element TZ430 230V 1800W	Unterer Heizwiderstand TZ430 230V 1800W	Résistance inférieure TZ430 230V 1800W	Resistencia inferior TZ430 230V 1800W	Нижнийнагревательный элемент TZ430 230V 1800W	
24	C01.191	Resistenzainferiore TZ435 230V 2000W	Lower heating element TZ435 230V 2000W	Unterer Heizwiderstand TZ435 230V 2000W	Résistance inférieure TZ435 230V 2000W	Resistencia inferior TZ435 230V 2000W	Нижнийнагревательный элемент TZ435 230V 2000W	
25	C01.231	Globetto portalampade	Light bulb socket	Leuchtabdeckung	Globe porte-lampe	Cubierta portalámparas	Шар лампового патрона	
26	U03.015	Lampada E14 15W 230V	E14 15W 230V light	Glühbirne E14 15W 230V	Lampe E14 15W 230V	Bombilla E14 15W 230V	Лампа E14 15Вт 230В	
27	C01.236	Portalampada E14	E14 light socket	Glühbirnenhalterung E14	Porte-lampe E14	Portalámparas E14	Ламповый патрон E14	
28	C01.1038	Intercapedine TZ420	Cavity TZ420	Zwischenblech TZ420	Isolation TZ420	Intersticio TZ420	Прослойка TZ420	
28	C01.980	Intercapedine TZ425	Cavity TZ425	Zwischenblech TZ425	Isolation TZ425	Intersticio TZ425	Прослойка TZ425	
28	C01.1002	Intercapedine TZ430	Cavity TZ430	Zwischenblech TZ430	Isolation TZ430	Intersticio TZ430	Прослойка TZ430	
28	C01.1019	Intercapedine TZ435	Cavity TZ435	Zwischenblech TZ435	Isolation TZ435	Intersticio TZ435	Прослойка TZ435	

Nr.	Codice Code Código	Descrizione	Description	Beschreibung	Description	Descripción	Описание	
29	C01.1039	Involucro TZ420/1M	Enclosure TZ420/1M	Hülle TZ420/1M	Enveloppe TZ420/1M	Cubierta TZ420/1M	Оболочка TZ420/1M	
29	C01.982	Involucro TZ425/1M	Enclosure TZ425/1M	Hülle TZ425/1M	Enveloppe TZ425/1M	Cubierta TZ425/1M	Оболочка TZ425/1M	
29	C01.1004	Involucro TZ430/1M	Enclosure TZ430/1M	Hülle TZ430/1M	Enveloppe TZ430/1M	Cubierta TZ430/1M	Оболочка TZ430/1M	
29	C01.1021	Involucro TZ435/1M	Enclosure TZ435/1M	Hülle TZ435/1M	Enveloppe TZ435/1M	Cubierta TZ435/1M	Оболочка TZ435/1M	
29	C01.983	Involucro TZ425/2M	Enclosure TZ425/2M	Hülle TZ425/2M	Enveloppe TZ425/2M	Cubierta TZ425/2M	Оболочка TZ425/2M	
29	C01.1005	Involucro TZ430/2M	Enclosure TZ430/2M	Hülle TZ430/2M	Enveloppe TZ430/2M	Cubierta TZ430/2M	Оболочка TZ430/2M	
29	C01.1022	Involucro TZ435/2M	Enclosure TZ435/2M	Hülle TZ435/2M	Enveloppe TZ435/2M	Cubierta TZ435/2M	Оболочка TZ435/2M	
30	C01.1040	Pannello laterale sx TZ420/1M	Left side panel TZ420/1M	Seitliches Paneel links TZ420/1M	Panneau latéral gauche TZ420/1M	Panel lateral izdo. TZ420/1M	Боковая панель лев. TZ420/1M	
30	C01.984	Pannello laterale sx TZ425/1M	Left side panel TZ425/1M	Seitliches Paneel links TZ425/1M	Panneau latéral gauche TZ425/1M	Panel lateral izdo. TZ425/1M	Боковая панель лев. TZ425/1M	
30	C01.1006	Pannello laterale sx TZ430/1M	Left side panel TZ430/1M	Seitliches Paneel links TZ430/1M	Panneau latéral gauche TZ430/1M	Panel lateral izdo. TZ430/1M	Боковая панель лев. TZ430/1M	
30	C01.1023	Pannello laterale sx TZ435/1M	Left side panel TZ435/1M	Seitliches Paneel links TZ435/1M	Panneau latéral gauche TZ435/1M	Panel lateral izdo. TZ435/1M	Боковая панель лев. TZ435/1M	
30	C01.985	Pannello laterale sx TZ425/2M	Left side panel TZ425/2M	Seitliches Paneel links TZ425/2M	Panneau latéral gauche TZ425/2M	Panel lateral izdo. TZ425/2M	Боковая панель лев. TZ425/2M	
30	C01.1007	Pannello laterale sx TZ430/2M	Left side panel TZ430/2M	Seitliches Paneel links TZ430/2M	Panneau latéral gauche TZ430/2M	Panel lateral izdo. TZ430/2M	Боковая панель лев. TZ430/2M	
30	C01.1024	Pannello laterale sx TZ435/2M	Left side panel TZ435/2M	Seitliches Paneel links TZ435/2M	Panneau latéral gauche TZ435/2M	Panel lateral izdo. TZ435/2M	Боковая панель лев. TZ435/2M	

Nr.	Codice Code Código	Descrizione	Description	Beschreibung	Description	Descripción	Описание	
31	C01.1041	Pannello laterale dx TZ420/1M	Right side panel TZ420/1M	Seitliches Paneel rechts TZ420/1M	Panneau latéral droit TZ420/1M	Panel lateral dcho. TZ420/1M	Боковая панель прав. TZ420/1M	
31	C01.986	Pannello laterale dx TZ425/1M	Right side panel TZ425/1M	Seitliches Paneel rechts TZ425/1M	Panneau latéral droit TZ425/1M	Panel lateral dcho. TZ425/1M	Боковая панель прав. TZ425/1M	
31	C01.1008	Pannello laterale dx TZ430/1M	Right side panel TZ430/1M	Seitliches Paneel rechts TZ430/1M	Panneau latéral droit TZ430/1M	Panel lateral dcho. TZ430/1M	Боковая панель прав. TZ430/1M	
31	C01.1025	Pannello laterale dx TZ435/1M	Right side panel TZ435/1M	Seitliches Paneel rechts TZ435/1M	Panneau latéral droit TZ435/1M	Panel lateral dcho. TZ435/1M	Боковая панель прав. TZ435/1M	
31	C01.987	Pannello laterale dx TZ425/2M	Right side panel TZ425/2M	Seitliches Paneel rechts TZ425/2M	Panneau latéral droit TZ425/2M	Panel lateral dcho. TZ425/2M	Боковая панель прав. TZ425/2M	
31	C01.1009	Pannello laterale dx TZ430/2M	Right side panel TZ430/2M	Seitliches Paneel rechts TZ430/2M	Panneau latéral droit TZ430/2M	Panel lateral dcho. TZ430/2M	Боковая панель прав. TZ430/2M	
31	C01.1026	Pannello laterale dx TZ435/2M	Right side panel TZ435/2M	Seitliches Paneel rechts TZ435/2M	Panneau latéral droit TZ435/2M	Panel lateral dcho. TZ435/2M	Боковая панель прав. TZ435/2M	
32	C01.1027	Frontale poliestere TZ/1M	Polyester front TZ/1M	Frontpaneel aus Polyester TZ/1M	Façade polyester TZ/1M	Frontal de poliéster TZ/1M	Фронтальная полиэфирная панель TZ/1M	
32	C01.989	Frontale poliestere TZ/2M	Polyester front TZ/2M	Frontpaneel aus Polyester TZ/2M	Façade polyester TZ/2M	Frontal de poliéster TZ/2M	Фронтальная полиэфирная панель TZ/2M	
33	C01.990	Ghiera camino	Flue ring nut	Schraubring Dampfablass	Bague sortie de fumée	Anillo chimenea	Зажимное кольцо трубы	
34	C01.991	Maniglia inox TZ-RF	Stainless steel TZ-RF handle	Edelstahlgriff TZ-RF	Poignée inox TZ-RF	Asa inox TZ-RF	Edelstahlgriff TZ-RF	