

■ Features

- Single output from 84-90W
- 100-240Vac Universal input
- ANSI/AAMI/IEC/EN ES60601-1 (edition 3.1)
- EMC: IEC60601-1-2:2014 (edition 4.0)
- IEC 60950 approval
- Means of Protection: 2 x MOPP
- Efficiency Level VI
- SCP, OVP, OCP, and OTP
- 2-year warranty
- Dimensions: 160x75x48mm



\*Product images are for illustrative purposes only and may vary from actual design.

■ Application

- Medical equipment

**Custom Designs Available!**

■ Model List

Model	Output Voltage	Output Current	Power
DT-M090-120-X-XX	12V	7A	84W
DT-M090-150-X-XX	15V	6A	90W
DT-M090-180-X-XX	18V	5A	90W
DT-M090-190-X-XX	19V	4.74A	90W
DT-M090-240-X-XX	24V	3.75A	90W
DT-M090-480-X-XX	48V	1.88A	90W

\*Available input plug options are: U=C8, W=C6, V=C14, S=C18

■ Technical Data

Voltage	100-240Vac
Line Frequency	50-60Hz
Input Current	1.2A-0.5A
Protection	Internal Primary Current Fuse
Configuration	IEC60320/C6, C8, C14, C18
Load Regulation	±5% (Typical)
Ripple	1% Vp-p Max. for Output Voltage @ Full Load
Transient Response	0.5mS for 50% Load Change Typical
Hold-up Time	10mS @ Full Load
Topology	Switching Flyback
Over Voltage Protection	V out *120-150% Max.
Short Circuit Protection	Shut down
Over Current Protection	I out *120-150% Max.
Over Temperature Protection	Latch Protection
Dielectric Withstand	4000Vac Primary-Secondary
Leakage Current	<100µA
Efficiency	DoE Level VI, Energy Star, ErP Stage 2 Certified

**Technical Sales / Customer Service:** +1-818-338-7788 • Email: [sales@autec.com](mailto:sales@autec.com)

31328 Via Colinas Suite 102 • Westlake Village, CA 91362 USA • [www.autec.com](http://www.autec.com)

March 4, 2020

■ **Technical Data(cont.)**

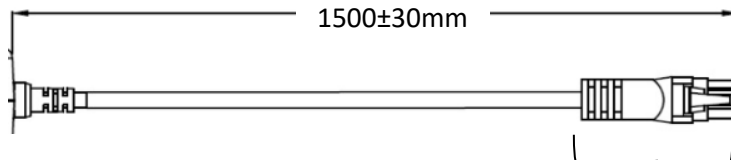
MTBF	300,000 calculated hours at 25°C, by Telcordia SR-332
Operating Temperature	0 to + 40°C
Storage Temperature	-20 to 80 °C
Relative Humidity Operating:	20 to 80% RH
Relative Humidity Storage	10 to 90% RH
Cooling	Natural Convection Cooling
DC Cord	22AWG/20AWG/18AWG/16AWG
Case Dimensions	160x75x48mm
Weight	490g(typ.)

Note: When Over Current Protection is activated, the power supply will shut down automatically. Once the abnormal condition resulting in the failure being removed, the power supply will restart. When Over Voltage Protection or Over Temperature Protection is activated, the power supply will latch.

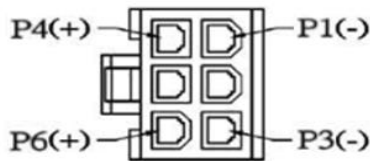
■ **Safeties/EMI**

EMI Conduction and Radiation	Compliance to EN55011 Class B
Safeties	UL/cUL/CE
Harmonic Current	Compliance to ENC61000-3-2,3
EMS Immunity	EN61000-4-2,3,4,5,6,8,11

■ **DC Output Cable Mechanical Diagram**

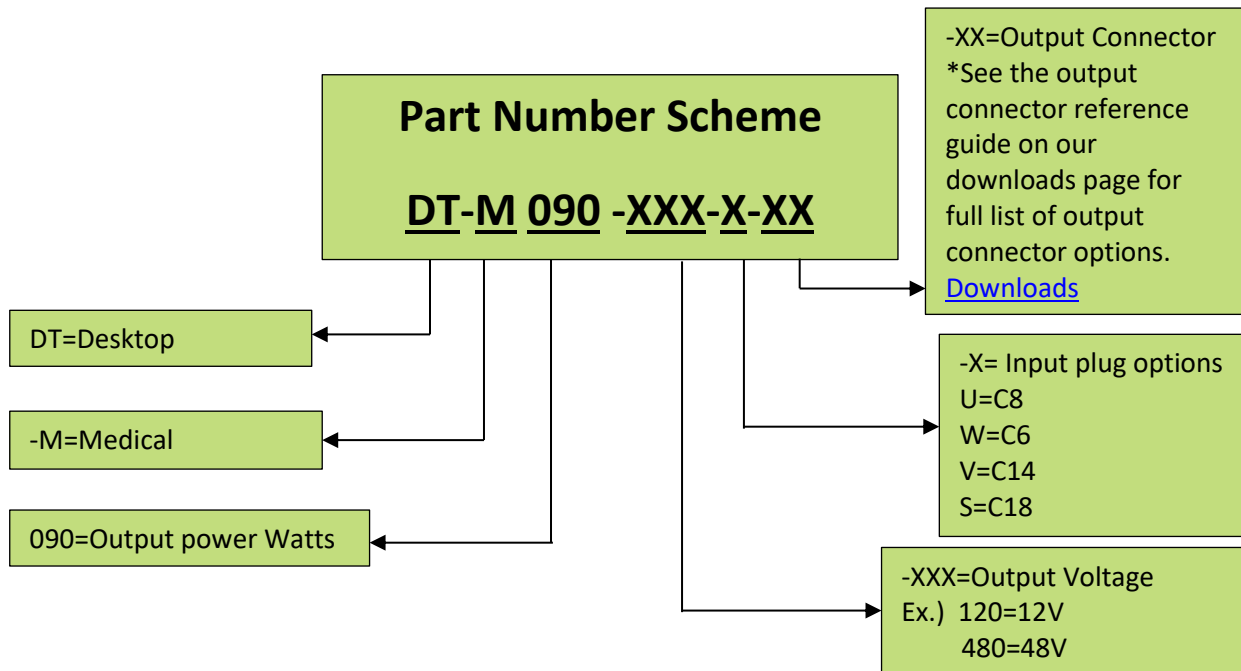
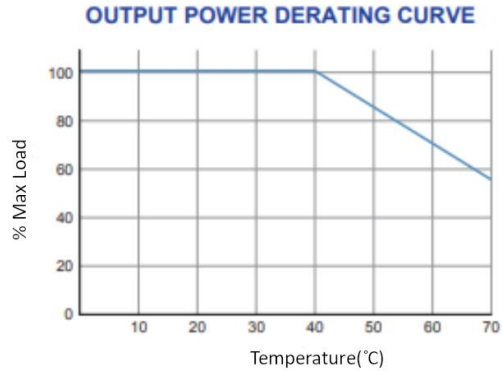
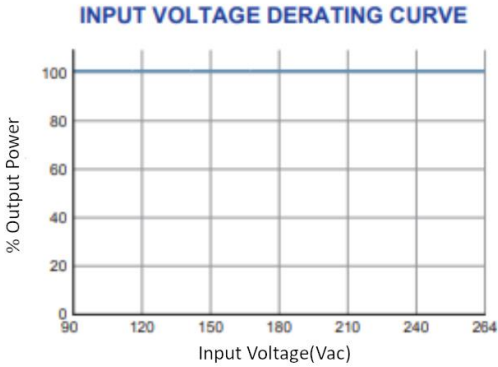


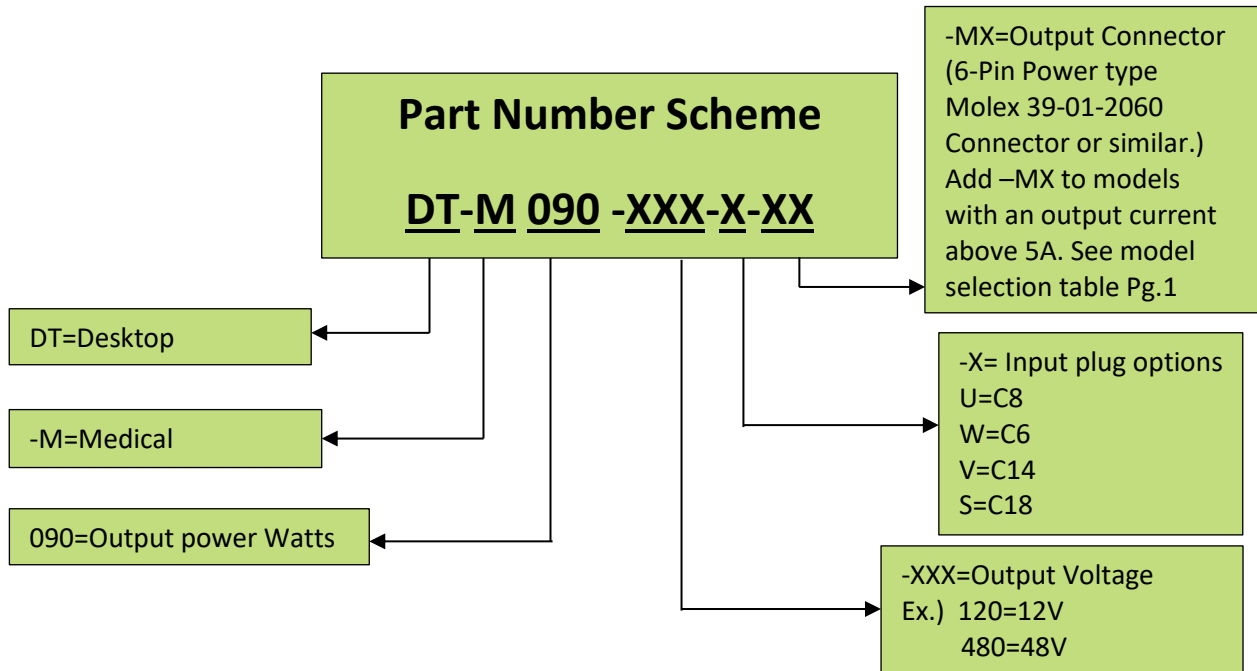
\*Molex 39-01-2060 Connector or similar for models with an output current of 5A and above.



**Output Cable Plug Pin Assignment**

Derating Curve





**\*Some Safety Agency Approvals may differ from what is shown. Contact Autec Sales!**

**\*Product images are for illustrative purposes only and may vary from actual design.**

**\*Specifications are subject to change without notice. Autec is not responsible for issues arising from errors or omissions.**